



CRI > 90

NEEDLE 1 OK

3500
K

LED [E] 4.1W / 409lm / 350mA
LED [E] 6W / 556lm / 500mA



6 25011 9510 ◇

◇ = FG / BBR



6 25011 9520 ◇

◇ = FG / BBR

3000
K

LED [E] 4.1W / 380lm / 350mA
LED [E] 6W / 515lm / 500mA



6 25011 9310 ◇

◇ = FG / BBR



6 25011 9320 ◇

◇ = FG / BBR

2700
K

LED [E] 4.1W / 355lm / 350mA
LED [E] 6W / 481lm / 500mA



6 25011 9210 ◇

◇ = FG / BBR



6 25011 9220 ◇

◇ = FG / BBR

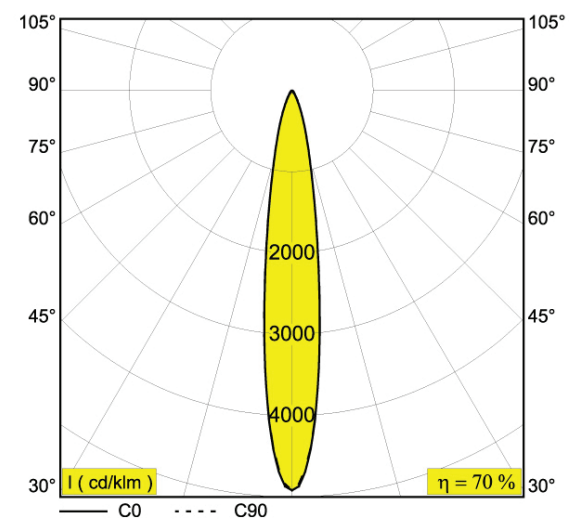
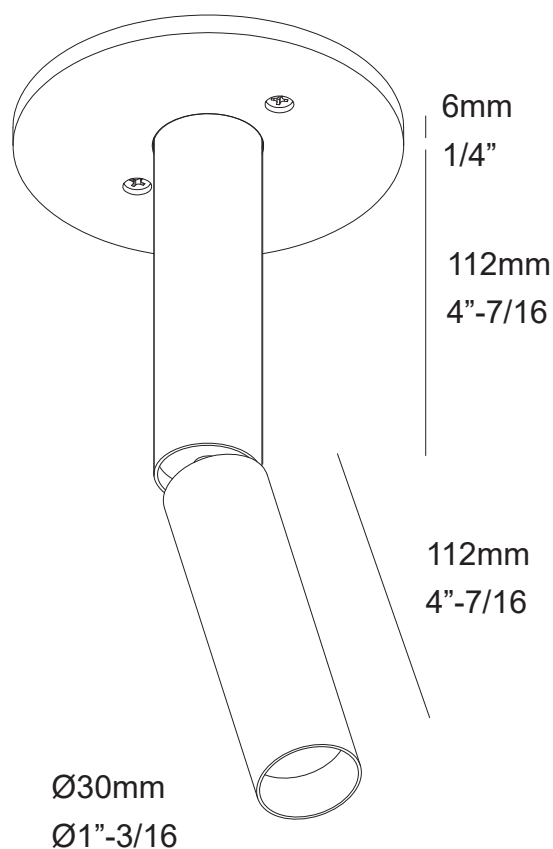
ADJUSTABLE 0-50° / 350°

0.7 IP20 DAMP

REQUIREMENT

LED POWER SUPPLY 350 / 500mA-DC (REMOTE)

Ø108mm
Ø4"-1/4



(1)Values based on 3000K 13° standard finish

Application

Ceiling surface suspended
Installation to a standard 4" octagonal junction box
For indoor use only

Color Finish

BBR - Black Bronze
FG - Flemish Gold

Light Source

One Max. 6W LED included

Delivered Lumens

249lm at 2700K⁽¹⁾ at 350mA / 337lm at 500mA at 13°
259lm at 2700K⁽¹⁾ at 350mA / 352lm at 500mA at 33°
266lm at 3000K⁽¹⁾ at 350mA / 361lm at 500mA at 13°
277lm at 3000K⁽¹⁾ at 350mA / 377lm at 500mA at 33°
286lm at 3500K⁽¹⁾ at 350mA / 389lm at 500mA at 13°
298lm at 3500K⁽¹⁾ at 350mA / 405lm at 500mA at 33°

Power Supply

Remote Installation

Specification features

Housing fabricated of powder coated steel, powder coated steel trim
Suitable for dry and damp location
Weight: 0.7lbs

PROJECT INFO

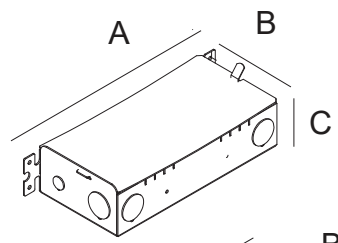
Date

Client

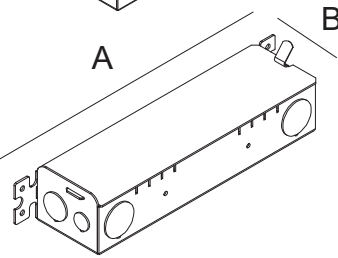
Project Name

Type/Quantity

REMOTE POWER SUPPLY



ED1 / ED12:
A:9"-11/16 x B:4"5/16 x C:2"-13/16
A:246mm x B:109mm x C:72mm



ED8 / ED13 / ED7:
A:9"-11/16 x B:2"-9/32 x C:2"-1/2
A:246mm x B:66mm x C:63mm



Code	Description	MIN-MAX
6 300 44 ED1	LED POWER SUPPLY 350mA-DC 19W 0-10V Dim 120-277V Remote	4
6 300 45 ED1	LED POWER SUPPLY 500mA-DC 25W 0-10V Dim 120-277V Remote	3
6 300 14 ED7	LED POWER SUPPLY Multi-Power 15W 0-10V Push Dim 120-277V Remote	3/2/0
6 300 46 ED8	LED POWER SUPPLY 350mA-DC 11W Mains Dim 120V Remote	2
6 300 90 ED8	LED POWER SUPPLY 500mA-DC 12W Mains Dim 120V Remote	1
6 300 62 ED8	LED POWER SUPPLY 500mA-DC 23W Mains Dim 120V Remote	2 -> 3
6 300 70 ED12	LED POWER SUPPLY 350mA-DC 13W Hi-Lume 2-Wire ² 120V Remote	2 -> 3
6 300 72 ED12	LED POWER SUPPLY 500mA-DC 19W Hi-Lume 2-Wire ² 120V Remote	2 -> 2
6 300 41 ED13	LED POWER SUPPLY 350mA-DC 19W Hi-Lume EcoSystem ¹ 120-277V Remote	4
6 300 51 ED13	LED POWER SUPPLY 500mA-DC 20W Hi-Lume EcoSystem ¹ 120-277V Remote	3
6 300 15	LED POWER SUPPLY Multi-Power 15W 120-277V Remote	3/2/0

¹DIMMING: Lutron Hi-lume 1% EcoSystem LED driver with Softon, Fade-to-Black dimming technology - PEQ1E

²DIMMING: Lutron Hi-lume 1% 2-wire (120V forward phase only) - LTEA2W



CRI > 90 **NEEDLE 2 OK**

3500 K
 2 x LED [E] 4.1W / 420lm / 350mA
 2 x LED [E] 6W / 570lm / 500mA

LENS SP 13° **6 25013 9510** ◇
 ◇ = FG / BBR

LENS SP 33° **6 25013 9520** ◇
 ◇ = FG / BBR

3000 K
 2 x LED [E] 4.1W / 380lm / 350mA
 2 x LED [E] 6W / 515lm / 500mA

LENS SP 13° **6 25013 9310** ◇
 ◇ = FG / BBR

LENS SP 33° **6 25013 9320** ◇
 ◇ = FG / BBR

2700 K
 2 x LED [E] 4.1W / 355lm / 350mA
 2 x LED [E] 6W / 481lm / 500mA

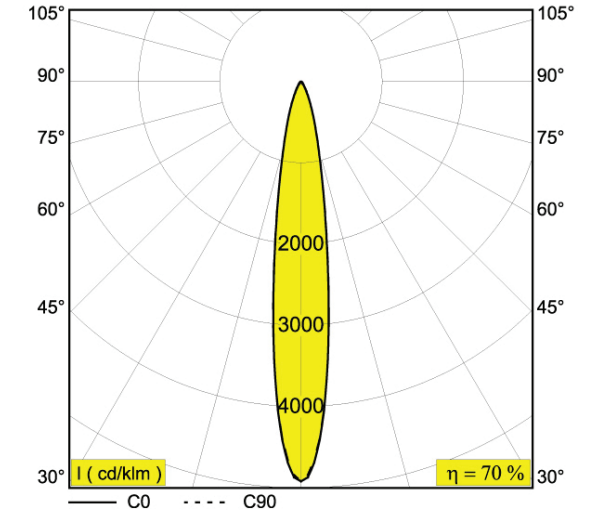
LENS SP 13° **6 25013 9210** ◇
 ◇ = FG / BBR

LENS SP 33° **6 25013 9220** ◇
 ◇ = FG / BBR

ADJUSTABLE 0-50° / 350°

1.3 IP20 DAMP

REQUIREMENT
 LED POWER SUPPLY 350 / 500mA-DC (REMOTE)



⁽¹⁾Values based on 3000K 13° standard finish

Application

Ceiling surface suspended
 Installation to a standard 4" octagonal junction box
 For indoor use only

Color Finish

BBR - Black Bronze
 FG - Flemish Gold

Light Source

Two Max. 6W LED included

Delivered Lumens

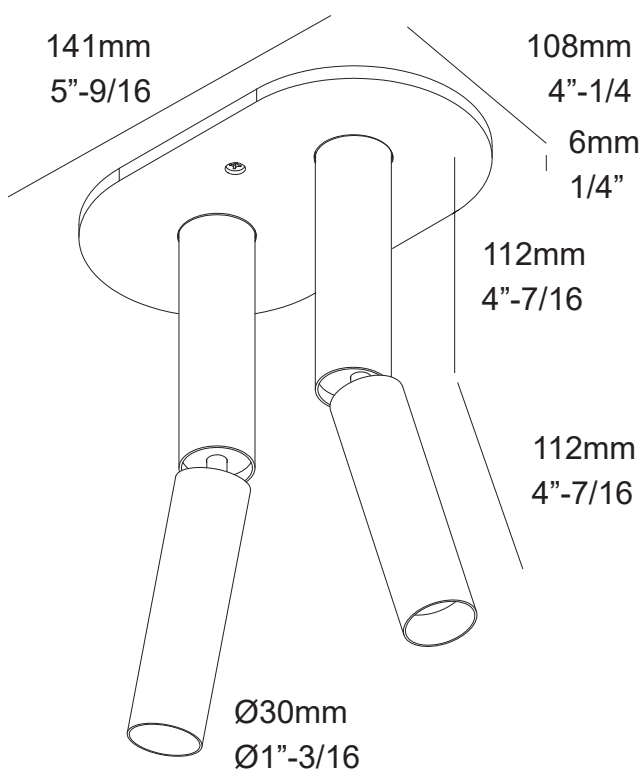
498lm at 2700K⁽¹⁾ at 350mA / 674lm at 500mA at 13°
 518lm at 2700K⁽¹⁾ at 350mA / 704lm at 500mA at 33°
 266lm at 3000K⁽¹⁾ at 350mA / 722lm at 500mA at 13°
 532lm at 3000K⁽¹⁾ at 350mA / 754lm at 500mA at 33°
 572lm at 3500K⁽¹⁾ at 350mA / 778lm at 500mA at 13°
 596lm at 3500K⁽¹⁾ at 350mA / 810lm at 500mA at 33°

Power Supply

Remote Installation

Specification features

Housing fabricated of powder coated steel, powder coated steel trim
 Suitable for dry and damp location
 Weight: 1.3bs



PROJECT INFO

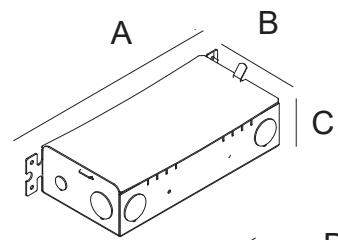
Date _____

Client _____

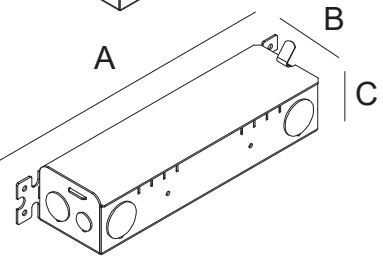
Project Name _____

Type/Quantity _____

REMOTE POWER SUPPLY



ED1 / ED12:
 A: 9"-11/16 x B: 4"5/16 x C: 2"-13/16
 A: 246mm x B: 109mm x C: 72mm



ED8 / ED13 / ED7:
 A: 9"-11/16 x B: 2"-9/32 x C: 2"-1/2
 A: 246mm x B: 66mm x C: 63mm



Code	Description	MIN-MAX
6 300 44 ED1	LED POWER SUPPLY 350mA-DC 19W 0-10V Dim 120-277V Remote	2
6 300 45 ED1	LED POWER SUPPLY 500mA-DC 25W 0-10V Dim 120-277V Remote	1
6 300 14 ED7	LED POWER SUPPLY Multi-Power 15W 0-10V Push Dim 120-277V Remote	1/1/0
6 300 46 ED8	LED POWER SUPPLY 350mA-DC 11W Mains Dim 120V Remote	1
6 300 62 ED8	LED POWER SUPPLY 500mA-DC 23W Mains Dim 120V Remote	1
6 300 70 ED12	LED POWER SUPPLY 350mA-DC 13W Hi-Lume 2-Wire ² 120V Remote	1
6 300 72 ED12	LED POWER SUPPLY 500mA-DC 19W Hi-Lume 2-Wire ² 120V Remote	1
6 300 41 ED13	LED POWER SUPPLY 350mA-DC 19W Hi-Lume EcoSystem ¹ 120-277V Remote	2
6 300 51 ED13	LED POWER SUPPLY 500mA-DC 20W Hi-Lume EcoSystem ¹ 120-277V Remote	1
6 300 15	LED POWER SUPPLY Multi-Power 15W 120-277V Remote	1/1/0

¹DIMMING: Lutron Hi-lume 1% EcoSystem LED driver with Softon, Fade-to-Black dimming technology - PEQ1E

²DIMMING: Lutron Hi-lume 1% 2-wire (120V forward phase only) - LTEA2W