



USA / deltalight.us / +1(954) 677 9800
 Canada / deltalight.ca / +1(905) 813 6130

Date _____

Name _____

Client _____

Project name _____

Quote# _____

Type/Quantity _____

Listings

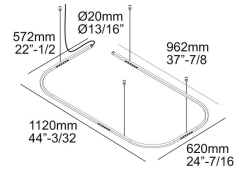
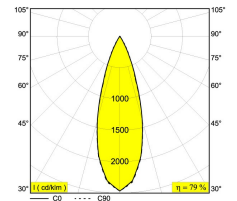


19/04/2022 14:18:00

Specification Sheet

LASS-OH! 60110 92734
6 24812 9220

[Weblink](#)



Available colors: BLACK (6 24812 9220 B)
 GOLD COLORED (6 24812 9220 GC)

INCL. 4 x DOT.COM S6 modules
 PER MODULE: 6 x LED 1W / CRI>90 / 2700K / 98lm
 PER MODULE: 6 x REFLECTOR FL-34°
 EXCL. LED POWER SUPPLY 700mA-DC
 INCL. 4 x CABLE SUSPENSION SINGLE AUTO. 5'
 INCL. 1 x CABLE 2 x 18 AWG
 For other CRI or KELVIN, contact factory

LED Technics: Light source: 2352 lm // 24 W // 98 lm/W
 Luminaire: 1859 lm // 28 W // 67 lm/W

Class 2: Yes
 Ada: N.a.

Weight: 3.3 LBS
 Protection level: IP20 - suitable for damp locations
 Minimum distance: n.a.

Options: COVERPLATE S 103
 COVERPLATE R 104

Accessories: JIHA S / R

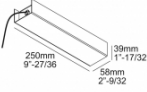
Requirements :
 LASS-OH! POWERBOX
 LED POWER SUPPLY 700mA-DC DIM (Remote)

For detailed installation instructions, please consult the manual. [6_24812_XXXX_HAND.pdf](#)

LASS-OH! 60110 92734
6 24812 9220

Related references
LED POWER SUPPLIES

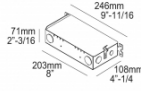
[Weblink / Specsheet](#)



LASS-OH! POWERBOX 700mA-DC /
 25W DIM14
 6 24814 00514
 120-277V / 60Hz
 Number of luminaires: 1

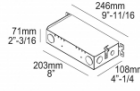
Related references
LED POWER SUPPLIES - REMOTE

[Weblink / Specsheet](#)



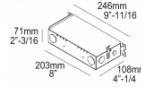
LED POWER SUPPLY 700mA-DC / 27W
 DIM12
 6 300 74 ED12
 120V / 60Hz
 Number of luminaires: 1

[Weblink / Specsheet](#)



LED POWER SUPPLY 700mA-DC / 35W
 DIM13
 6 300 81 ED13
 120-277V / 60Hz
 Number of luminaires: 1

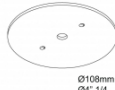
[Weblink / Specsheet](#)



LED POWER SUPPLY 700mA-DC / 38W
 DIM1
 6 300 53 ED1
 120-277V / 60Hz
 Number of luminaires: 1

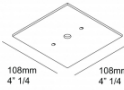
Related references
COVER PLATES

[Weblink / Specsheet](#)



COVERPLATE R 104
 6 204 00 104

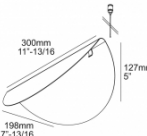
[Weblink / Specsheet](#)



COVERPLATE S 103
 6 204 99 103

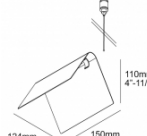
Related references
LIGHT ALTERING DEVICES

[Weblink / Specsheet](#)



JIHA! R
 24814 0030

[Weblink / Specsheet](#)



JIHA! S
 24814 0020

Related project picture of product family:

