



USA / deltalight.us / +1(954) 677 9800  
Canada / deltalight.ca / +1(905) 813 6130

Date \_\_\_\_\_

\_\_\_\_\_

Name \_\_\_\_\_

\_\_\_\_\_

Client \_\_\_\_\_

\_\_\_\_\_

Project name \_\_\_\_\_

\_\_\_\_\_

Quote# \_\_\_\_\_

\_\_\_\_\_

Type/Quantity \_\_\_\_\_

\_\_\_\_\_

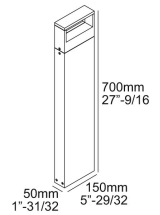
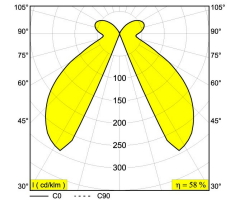
### Listings

22/04/2022 08:40:37

# Specification Sheet

## WALKER II 70 927 6 22627 9200

[Weblink](#)



Available colors: ALU GREY-DARK GREY (6 22627 9200 A-N)  
DARK GREY-GOLD COLORED (6 22627 9200 N-GC)

LED CLUSTER 6,2W / CRI>90 / 2700K / 740lm  
INCL.LED POWER SUPPLY 350mA-DC

LED Technics: Light source: 740 lm // 6 W // 119 lm/W  
Luminaire: 432 lm // 7 W // 61 lm/W

120V / 60Hz

Class 2 N.a.  
Ada N.a.

Weight: 6.4 LBS  
Protection level: IP54 - suitable for wet locations  
Minimum distance: n.a.

Options: PLATE 7  
PIN 12  
JUNCTION BOX  
IP68 CONNECTOR 3P

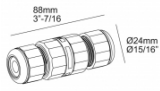
For detailed installation instructions, please consult the manual. [22627\\_XXX0\\_HAND.pdf](#)

**WALKER II 70 927**  
**6 22627 9200**

**Related references**

**WATERPROOF CONNECTION PARTS**

[Weblink / Specsheet](#)

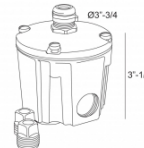


88mm  
3"-7/16

Ø24mm  
Ø15/16"

IP68 CONNECTOR 3P  
6 216 12 02

[Weblink / Specsheet](#)



Ø3"-3/4

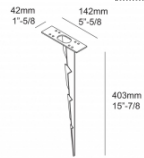
3"-1/2

JUNCTION BOX  
6 216 12 00

**Related references**

**PINS AND PLATES FOR BOLLARDS**

[Weblink / Specsheet](#)



42mm  
1"-5/8

142mm  
5"-5/8

403mm  
15"-7/8

PIN 12  
229 01 12

WALKER II 70 927  
6 22627 9200

Related project picture of product family:

