

Date \_\_\_\_\_

\_\_\_\_\_

\_\_\_\_\_

Name \_\_\_\_\_

\_\_\_\_\_

\_\_\_\_\_

Client \_\_\_\_\_

\_\_\_\_\_

\_\_\_\_\_

Project name \_\_\_\_\_

\_\_\_\_\_

\_\_\_\_\_

Quote# \_\_\_\_\_

\_\_\_\_\_

\_\_\_\_\_

Type/Quantity \_\_\_\_\_

\_\_\_\_\_

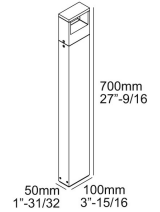
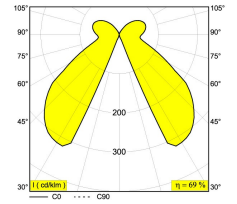
\_\_\_\_\_

**Listings**

Specification Sheet

**WALKER II S 70 927**  
**6 22623 9200**

[Weblink](#)



|   |   |
|---|---|
| Available colors:   | ALU GREY-DARK GREY (6 22623 9200 A-N)<br>DARK GREY-GOLD COLORED (6 22623 9200 N-GC) |
| LED CLUSTER 5,2W / CRI>90 / 2700K / 630lm<br>INCL.LED POWER SUPPLY 350mA-DC |   |
| LED Technics:   | Light source: 630 lm // 5 W // 121 lm/W<br>Luminaire: 433 lm // 5 W // 72 lm/W      |
| 120V / 60Hz   |   |
| Class 2   | N.a.  |
| Ada   | N.a.  |
| Weight:   | 5.7 LBS   |
| Protection level:   | IP54 - suitable for wet locations   |
| Minimum distance:   | n.a.  |
| Options:  | PIN 17<br>JUNCTION BOX<br>IP68 CONNECTOR 3P   |

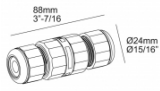
For detailed installation instructions, please consult the manual. [22623\\_XXX0\\_HAND.pdf](#)

**WALKER II S 70 927**  
**6 22623 9200**

**Related references**

**WATERPROOF CONNECTION PARTS**

[Weblink / Specsheet](#)

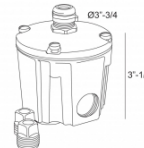


88mm  
3"-7/16

Ø24mm  
Ø15/16"

IP68 CONNECTOR 3P  
6 216 12 02

[Weblink / Specsheet](#)



Ø3"-3/4

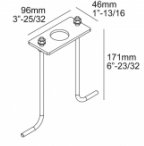
3"-1/2

JUNCTION BOX  
6 216 12 00

**Related references**

**PINS AND PLATES FOR BOLLARDS**

[Weblink / Specsheet](#)



96mm  
3"-25/32

46mm  
1"-13/16

171mm  
6"-23/32

PIN 17  
15222 0170

WALKER II S 70 927  
6 22623 9200

Related project picture of product family:

