

Date _____

Name _____

Client _____

Project name _____

Quote# _____

Type/Quantity _____

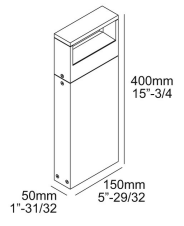
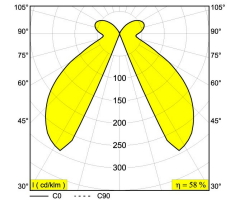
Listings

22/04/2022 08:37:53

Specification Sheet

WALKER II 40 927
6 22625 9200

[Weblink](#)



Available colors: ALU GREY-DARK GREY (6 22625 9200 A-N)
 DARK GREY-GOLD COLORED (6 22625 9200 N-GC)

LED CLUSTER 6,2W / CRI>90 / 2700K / 740lm
 INCL.LED POWER SUPPLY 350mA-DC

LED Technics: Light source: 740 lm // 6 W // 119 lm/W
 Luminaire: 432 lm // 7 W // 61 lm/W

120V / 60Hz

Class 2 N.a.
 Ada N.a.

Weight: 4.2 LBS
 Protection level: IP54 - suitable for wet locations
 Minimum distance: n.a.

Options: PLATE 7
 PIN 12
 JUNCTION BOX
 IP68 CONNECTOR 3P

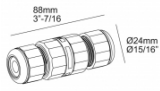
For detailed installation instructions, please consult the manual. [22625 XXX0 HAND.pdf](#)

WALKER II 40 927
6 22625 9200

Related references

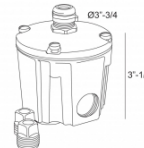
WATERPROOF CONNECTION PARTS

[Weblink / Specsheet](#)



IP68 CONNECTOR 3P
6 216 12 02

[Weblink / Specsheet](#)

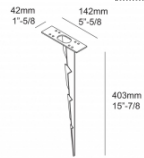


JUNCTION BOX
6 216 12 00

Related references

PINS AND PLATES FOR BOLLARDS

[Weblink / Specsheet](#)



PIN 12
229 01 12

WALKER II 40 927
6 22625 9200

Related project picture of product family:

