



CRI > 90

**WALKER II W S**

3000  
K

LED CLUSTER 5.2W / 672lm / 350mA

**6 22614 9300** ◇  
◇ = A / N / W

2700  
K

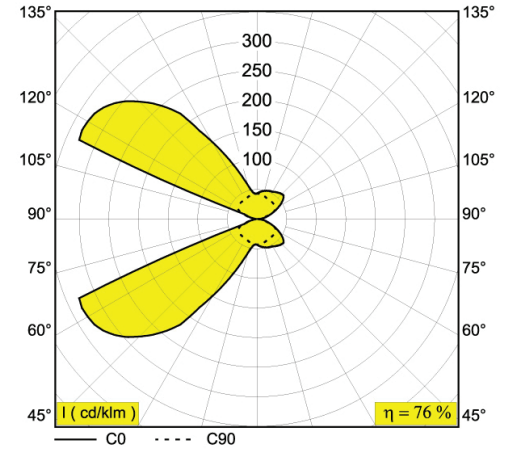
LED CLUSTER 5.2W / 630lm / 350mA

**6 22614 9200** ◇  
◇ = A / N / W

1.1 IP54 WET

**OPTIONS**

COVERPLATE S 124 ▶ 6 204 99 124 ◇  
◇ = A / N / W



**Application**

Wall surface  
For indoor and outdoor use

**Color Finish**

A - ALU GRAY  
N - DARK GRAY  
W - WHITE

**Light Source**

One 5.2W LED CLUSTER included

**Delivered Lumens**

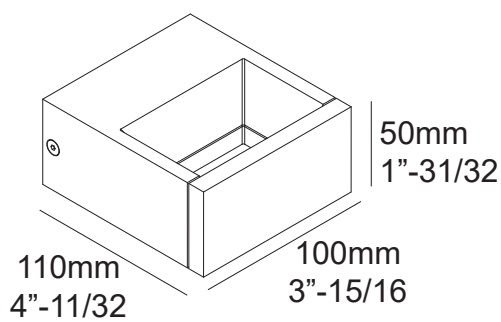
511lm at 3000K<sup>(1)</sup> at 350mA  
479lm at 2700K<sup>(1)</sup> at 350mA

**Power Supply**

Included Led Power Supply 120V / 60Hz

**Specification features**

Housing fabricated of powder coated aluminum  
Suitable for wet location  
Weight: 1.1lbs



**PROJECT INFO**

Date

---

Client

---

Project Name

---

Type/Quantity

---



CRI > 90

**WALKER II W S**

3000  
K

LED CLUSTER 5.2W / 672lm / 350mA

**6 22615 9300** ◇  
◇ = A-N / N-GC / W-GC

2700  
K

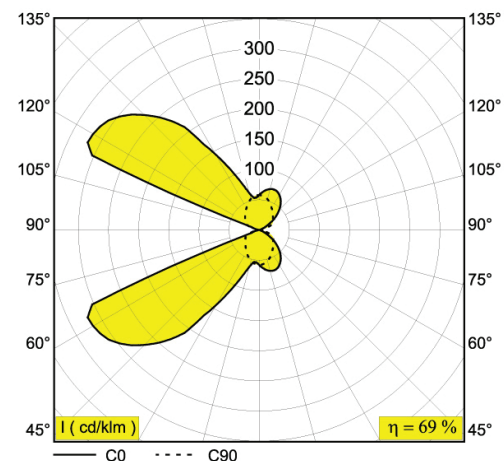
LED CLUSTER 5.2W / 630lm / 350mA

**6 22615 9200** ◇  
◇ = A-N / N-GC / W-GC

1.1 IP54 WET

**OPTIONS**

COVERPLATE S 124 ▶ 6 204 99 124 ◇  
◇ = A / N / W



<sup>(1)</sup>Values based on 3000K standard finish

**Application**

Wall surface  
For indoor and outdoor use

**Color Finish**

A - ALU GRAY  
GC - GOLD COLORED  
N - DARK GRAY  
W - WHITE

**Light Source**

One 5.2W LED CLUSTER included

**Delivered Lumens**

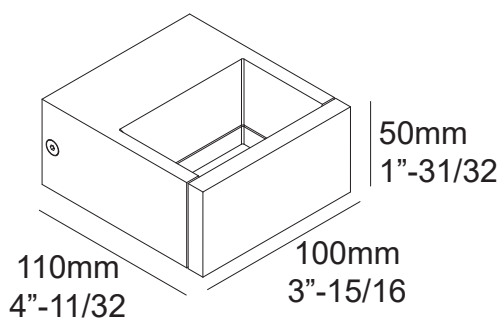
464lm at 3000K<sup>(1)</sup> at 350mA  
435lm at 2700K<sup>(1)</sup> at 350mA

**Power Supply**

Included Led Power Supply 120V / 60Hz

**Specification features**

Housing fabricated of powder coated aluminum  
Suitable for wet location  
Weight: 1.1lbs



**PROJECT INFO**

Date

Client

Project Name

Type/Quantity



CRI > 90

**WALKER II W**

3000  
K

LED CLUSTER 6.2W / 790lm / 350mA

**6 22618 9300** ◇  
◇ = A / N

2700  
K

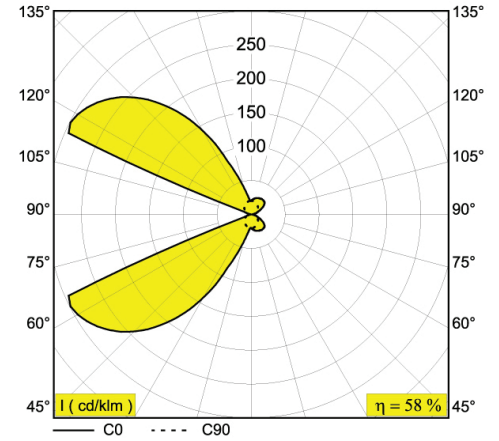
LED CLUSTER 6.2W / 740lm / 350mA

**6 22618 9200** ◇  
◇ = A / N

1.5 IP54 WET

**OPTIONS**

COVERPLATE S 125 ▶ 6 204 99 125 ◇  
◇ = A / N



<sup>(1)</sup>Values based on 3000K standard finish

**Application**

Wall surface  
For indoor and outdoor use

**Color Finish**

A - ALU GRAY  
N - DARK GRAY

**Light Source**

One 6.2W LED CLUSTER included

**Delivered Lumens**

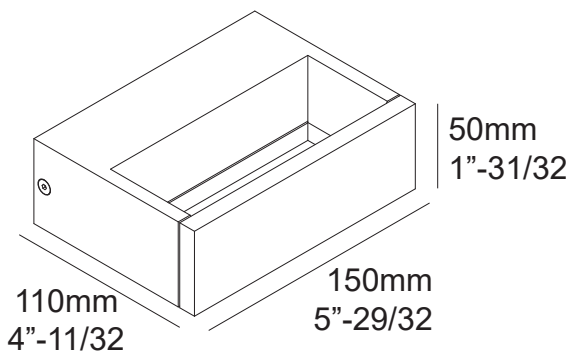
457lm at 3000K<sup>(1)</sup> at 350mA  
428lm at 2700K<sup>(1)</sup> at 350mA

**Power Supply**

Included Led Power Supply 120V / 60Hz

**Specification features**

Housing fabricated of powder coated aluminum  
Suitable for wet location  
Weight: 1.5lbs



**PROJECT INFO**

Date

---

Client

---

Project Name

---

Type/Quantity

---



CRI > 90

**WALKER II W**

3000  
K

LED CLUSTER 6.2W / 790lm / 350mA

**6 22619 9300** ◇

◇ = A-N / N-GC

2700  
K

LED CLUSTER 6.2W / 740lm / 350mA

**6 22619 9200** ◇

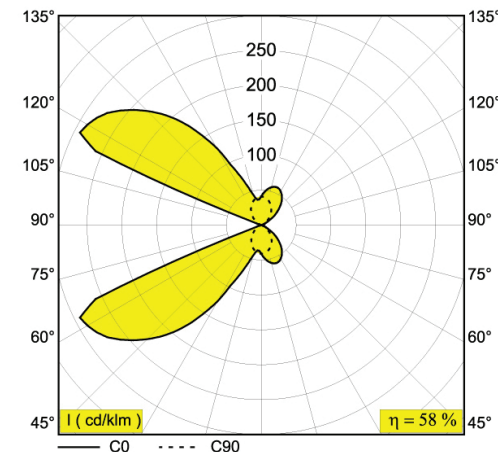
◇ = A-N / N-GC

1.5 IP54 WET

**OPTIONS**

COVERPLATE S 125 ▶ 6 204 99 125 ◇

◇ = A / N



<sup>(1)</sup>Values based on 3000K standard finish

**Application**

Wall surface  
For indoor and outdoor use

**Color Finish**

A - ALU GRAY  
GC - GOLD COLORED  
N - DARK GRAY

**Light Source**

One 6.2W LED CLUSTER included

**Delivered Lumens**

461lm at 3000K<sup>(1)</sup> at 350mA

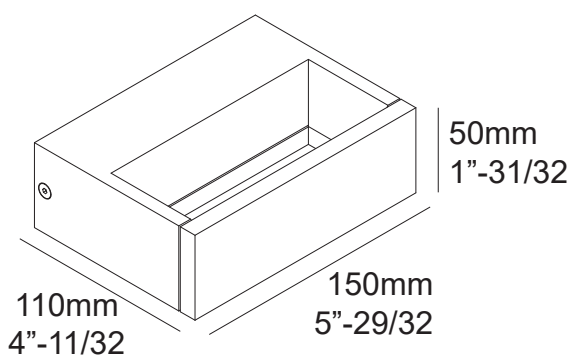
432lm at 2700K<sup>(1)</sup> at 350mA

**Power Supply**

Included Led Power Supply 120V / 60Hz

**Specification features**

Housing fabricated of powder coated aluminum  
Suitable for wet location  
Weight: 1.5lbs



**PROJECT INFO**

Date

---

Client

---

Project Name

---

Type/Quantity

---