

Date _____

Name _____

Client _____

Project name _____

Quote# _____

Type/Quantity _____

Listings

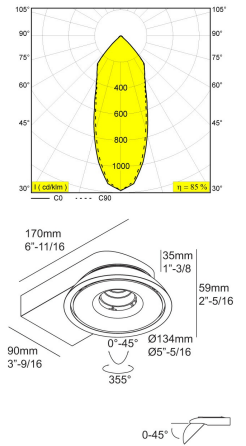


20/04/2022 07:50:02

Specification Sheet

TWEETER ON 1 92733 DIM1 6 206 31 811 922 ED1

[Weblink](#)



Available colors:	WHITE (6 206 31 811 922 ED1 W)
ADJUSTABLE 0-45°/355° LED 10,4W / CRI>90 / 2700K / 1083lm REFLECTOR FL-33° INCL.DIMMABLE LED POWER SUPPLY 500mA-DC DIMMING BY 0-10V CONTROL Patented Ex-centric Rotation System For other CRI or KELVIN, contact factory	
LED Technics:	Light source: 1083 lm // 10 W // 105 lm/W Luminaire: 922 lm // 12 W // 77 lm/W
120-277V / 60Hz	
Class 2	N.a.
Ada	N.a.
Installation methods	2" x 4" J-BOX MUD KIT INSTALLATION
Weight:	1.5 LBS
Protection level:	IP20 - suitable for damp locations
Minimum distance:	n.a.
Remarks:	For other voltages or dimming options, contact factory.
Options:	MUD KIT 2
Accessories:	TWEETER CLIP + ACCESSORIES

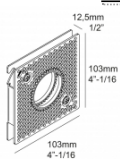
For detailed installation instructions, please consult the manual. [6_206_31_811_XXX_ED1_HAND.pdf](#)

TWEETER ON 1 92733 DIM1
6 206 31 811 922 ED1

Related references

MUD KITS

[Weblink / Specsheet](#)



MUD KIT 2
6 207 02 02

Related references

LIGHT ALTERING DEVICES

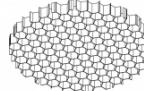
[Weblink / Specsheet](#)



Ø40mm
Ø1"-9/16

GLASS SBL 40
201 03 05

[Weblink / Specsheet](#)



Ø40mm
Ø1"-9/16

HONEYCOMB 40
201 03 01

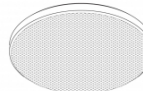
[Weblink / Specsheet](#)



Ø40mm
Ø1"-9/16

LINEAR SPREAD LENS 40
201 03 02

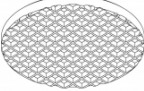
[Weblink / Specsheet](#)



Ø40mm
Ø1"-9/16

SOFTENING LENS 40
201 03 04


[Weblink / Specsheet](#)



Ø40mm
Ø1"-9/16

SPREAD LENS 40
201 03 03

[Weblink / Specsheet](#)



13mm
1/2"

Ø45mm
Ø1"-3/4

TWEETER CLIP
201 03 00

TWEETER ON 1 92733 DIM1
6 206 31 811 922 ED1

Related project picture of product family:

