

6" x 4"

CRI > 90

TWEETER TRIMLESS

3500 K LED [H] 10.4W / 1109lm / 500mA
LED [H] 15W / 1492lm / 700mA

REFL FL 33° **6 206 21 811 952** ◇
◇ = B-W / W-W

REFL WFL 50° **6 206 21 811 953** ◇
◇ = B-W / W-W

3000 K LED [H] 10.4W / 1075lm / 500mA
LED [H] 15W / 1446lm / 700mA

REFL FL 33° **6 206 21 811 932** ◇
◇ = B-W / W-W

REFL WFL 50° **6 206 21 811 933** ◇
◇ = B-W / W-W

2700 K LED [H] 10.4W / 1032lm / 500mA
LED [H] 15W / 1388lm / 700mA

REFL FL 33° **6 206 21 811 922** ◇
◇ = B-W / W-W

REFL WFL 50° **6 206 21 811 923** ◇
◇ = B-W / W-W

ADJUSTABLE 0-45° / 355°

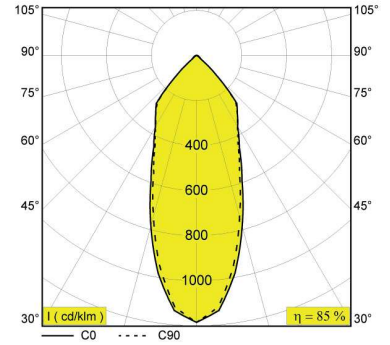
1.1 IP20 DAMP

REQUIREMENTS

- ROUGH-IN
- REMODEL NON-IC (+)
- MOUNTING KIT TWEETER TRIMLESS ▶ 202 15 61 971

ACCESSORIES

- GLASS SBL 40 ▶ 201 03 05
- HONEYCOMB 40 ▶ 201 03 01
- LINEAR SPREAD LENS 40 ▶ 201 03 02
- SOFTENING LENS 40 ▶ 201 03 04
- SPREAD LENS 40 ▶ 201 03 03
- TWEETER CLIP ▶ 201 03 00



⁽¹⁾Values based on 3000K standard finish

Application

Finishing section to be used with DELTA LIGHT ROUGH-IN or REMODEL NIC
For indoor use only

Light Source

One Max.15W LED included

Color Finish

B-W - Black-White
W-W - White-White

Delivered Lumens

- 3500K⁽¹⁾ - FL-33°- 948lm at 500mA / 1268lm at 700mA
- 3500K⁽¹⁾ - WFL-50°- 946lm at 500mA / 1253lm at 700mA
- 3000K⁽¹⁾ - FL-33°- 919lm at 500mA / 1229lm at 700mA
- 3000K⁽¹⁾ - WFL-50°- 917lm at 500mA / 1214lm at 700mA
- 2700K⁽¹⁾ - FL-33°- 882lm at 500mA / 1180lm at 700mA
- 2700K⁽¹⁾ - WFL-50°- 880lm at 500mA / 1166lm at 700mA

Power Supply

Included in rough-in or remodel option

Specification features

Housing fabricated of powder coated steel, powder coated steel trim Pre-installed springs for easy installation Suitable for dry and damp location
Weight: 1.1bs

Dimensions

Ceiling Cut out: Ø6"

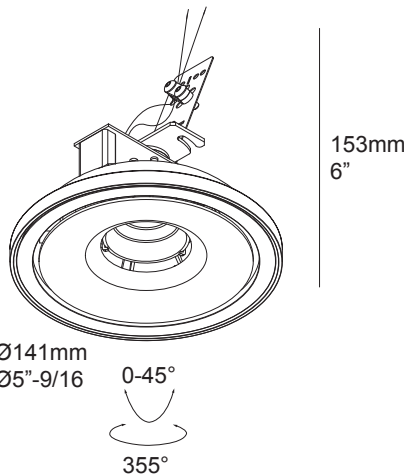
PROJECT INFO

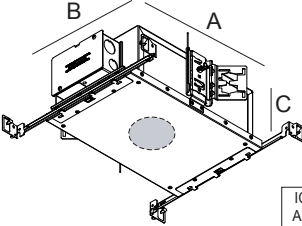

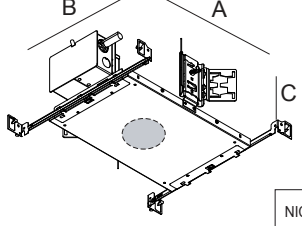

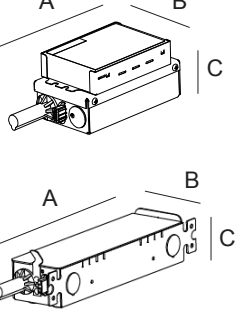

Date _____

Client _____

Project Name _____

Type/Quantity _____



HOUSING	PLASTERFRAME	REMODEL
<p>S-SMALL: A:15"-7/16 x B:8"-11/16 x C:5" A:393mm x B:220mm x C:127mm</p>  <p>IC AT </p>	<p>S-SMALL: A:15"-7/16 x B:8"-11/16 x C:5" A:393mm x B:220mm x C:127mm</p>  <p>NIC </p>	 <p>0-10V DIM : A:7"-1/2 x B:3" x C:3" A:190mm x B:76mm x C:76mm</p> <p>MAINS / LUTRON* ECO DIM: A:11"-1/4 x B:2"-1/2 x C:2"-1/2 A:286mm x B:63mm x C:63mm</p> <p>NIC </p>

 Indicative opening

HOUSING

Code	Description
6 202 7108 65 31 ²	IC AT HSG S 500mA-DC 10.5W 0-10V Dim 120-277V Trimless 65 ²
6 202 7102 65 11 ²	IC AT HSG S 500mA-DC 10.5W Mains Dim 120V Trimless 65 ²
6 202 7122 65 31 ²	IC AT HSG S 500mA-DC 10.5W Hi-Lume EcoSystem ¹ 120-277V Trimless 65 ²

PLASTERFRAME

Code	Description
6 202 01108 65 11	NIC PF S 500mA-DC 10.5W 0-10V Dim 120V Trimless 65
6 202 01108 65 21	NIC PF S 500mA-DC 10.5W 0-10V Dim 277V Trimless 65
6 202 01102 65 11	NIC PF S 500mA-DC 10.5W Mains Dim 120V Trimless 65
6 202 01122 65 11	NIC PF S 500mA-DC 10.5W Hi-Lume EcoSystem ¹ 120V Trimless 65
6 202 01122 65 21	NIC PF S 500mA-DC 10.5W Hi-Lume EcoSystem ¹ 277V Trimless 65
6 202 01109 65 11	NIC PF S 700mA-DC 14.7W 0-10V Dim 120V Trimless 65
6 202 01109 65 21	NIC PF S 700mA-DC 14.7W 0-10V Dim 277V Trimless 65
6 202 01103 65 11	NIC PF S 700mA-DC 14.7W Mains Dim 120V Trimless 65
6 202 01123 65 11	NIC PF S 700mA-DC 14.7W Hi-Lume EcoSystem ¹ 120V Trimless 65
6 202 01123 65 21	NIC PF S 700mA-DC 14.7W Hi-Lume EcoSystem ¹ 277V Trimless 65

POWER SUPPLY

Code	Description
6 202 920 99 11	NIC POWER SUPPLY 500mA-DC 25W 0-10V Dim 120V
6 202 920 99 21	NIC POWER SUPPLY 500mA-DC 25W 0-10V Dim 277V
6 202 969 99 11	NIC POWER SUPPLY 700mA-DC 25W 0-10V Dim 120V
6 202 969 99 21	NIC POWER SUPPLY 700mA-DC 25W 0-10V Dim 277V
6 202 919 99 11	NIC POWER SUPPLY 500mA-DC 12W Mains Dim 120V
6 202 921 99 11	NIC POWER SUPPLY 700mA-DC 25W Mains Dim 120V
6 202 9122 99 11	NIC POWER SUPPLY 500mA-DC 15W Hi-Lume EcoSystem ¹ 120V
6 202 9122 99 21	NIC POWER SUPPLY 500mA-DC 15W Hi-Lume EcoSystem ¹ 277V
6 202 9123 99 11	NIC POWER SUPPLY 700mA-DC 16W Hi-Lume EcoSystem ¹ 120V
6 202 9123 99 21	NIC POWER SUPPLY 700mA-DC 16W Hi-Lume EcoSystem ¹ 277V

¹DIMMING: Lutron Hi-lume 1% EcoSystem LED driver with Softon, Fade-to-Black dimming technology - PEQ1E

²JA8 / T24 COMPLIANT