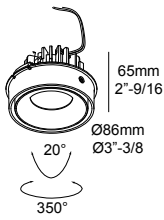


MINIGRID IN TRIMLESS 1 FRAME

6 202 73 01 ◇
◇ = B / W

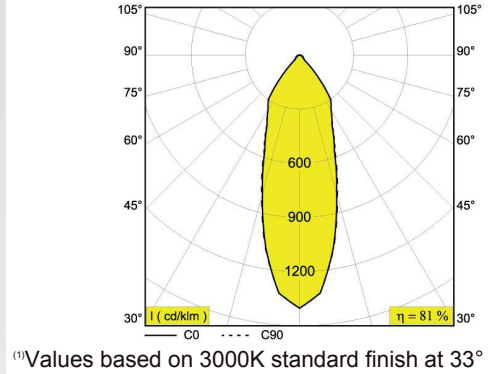


CRI > 90	MINIGRID SNAP-IN
3500 K	LED [H] 10.4W / 1109lm / 500mA
REFL SP 18°	6 202 790 811 951 ◇ ◇ = B / W
REFL FL 33°	6 202 790 811 952 ◇ ◇ = B / W
REFL WFL 50°	6 202 790 811 953 ◇ ◇ = B / W
3000 K	LED [H] 10.4W / 1075lm / 500mA
REFL SP 18°	6 202 790 811 931 ◇ ◇ = B / W
REFL FL 33°	6 202 790 811 932 ◇ ◇ = B / W
REFL WFL 50°	6 202 790 811 933 ◇ ◇ = B / W
2700 K	LED [H] 10.4W / 1032lm / 500mA
REFL SP 18°	6 202 790 811 921 ◇ ◇ = B / W
REFL FL 33°	6 202 790 811 922 ◇ ◇ = B / W
REFL WFL 50°	6 202 790 811 923 ◇ ◇ = B / W

ADJUSTABLE 0° - 20° / 350°

1.1 IP20 IP23 DAMP

REQUIREMENTS
ROUGH-IN
MINIGRID SNAP-IN



⁽¹⁾Values based on 3000K standard finish at 33°

Application

Finishing section to be used with DELTA LIGHT ROUGH-IN
For indoor use only

COLOR FINISH (FRAME)

B - Black / W - White

COLOR FINISH (SNAP-IN)

B - Black / W - White

Light Source

One Max. 10.4W LED included

Delivered Lumens

- 3500K⁽¹⁾ - SP-18° - 920lm at 500mA
- 3500K⁽¹⁾ - FL-33° - 903lm at 500mA
- 3500K⁽¹⁾ - WFL-50° - 892lm at 500mA
- 3000K⁽¹⁾ - SP-18° - 892lm at 500mA
- 3000K⁽¹⁾ - FL-33° - 875lm at 500mA
- 3000K⁽¹⁾ - WFL-50° - 865lm at 500mA
- 2700K⁽¹⁾ - SP-18° - 856lm at 500mA
- 2700K⁽¹⁾ - FL-33° - 840lm at 500mA
- 2700K⁽¹⁾ - WFL-50° - 830m at 500mA

Power Supply

Included in rough-in

Specification features

Housing fabricated of powder coated steel, powder coated steel trim
Pre-installed springs for easy installation
Suitable for dry and damp location
Weight: 1,1lbs

Dimensions

Ceiling Cut out: 5"-1/8 x 5"-1/8

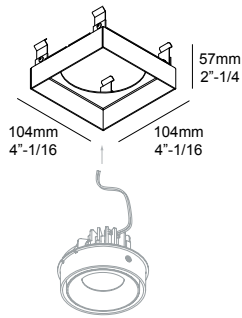
PROJECT INFO

Date _____

Client _____

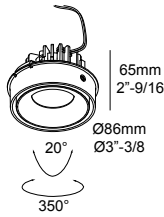
Project Name _____

Type/Quantity _____



MINIGRID IN TRIMLESS 1 FRAME

6 202 73 01 ◇
◇ = B / W



CRI > 90

MINIGRID SNAP-IN SOFT



LED 9.5W / 760lm / 650mA



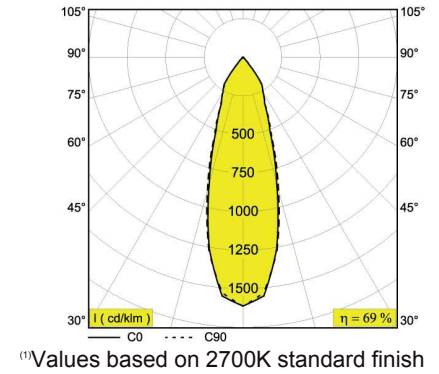
6 202 790 1902 ◇
◇ = B / W

ADJUSTABLE 0° - 20° / 350°

1.1 IP20 IP23 DAMP

REQUIREMENTS

ROUGH-IN
MINIGRID SNAP-IN



Application

Finishing section to be used with DELTA LIGHT ROUGH-IN
For indoor use only

COLOR FINISH (FRAME)

B - Black / W - White

COLOR FINISH (SNAP-IN)

B - Black / W - White

Light Source

One Max. 9.5W LED included

Delivered Lumens

2700K⁽¹⁾ - FL-33° - 521lm at 650mA

Power Supply

Included in rough-in

Specification features

Housing fabricated of powder coated steel, powder coated steel trim
Pre-installed springs for easy installation
Suitable for dry and damp location
Weight: 1.1lbs

Dimensions

Ceiling Cut out: 5"-1/8 x 5"-1/8

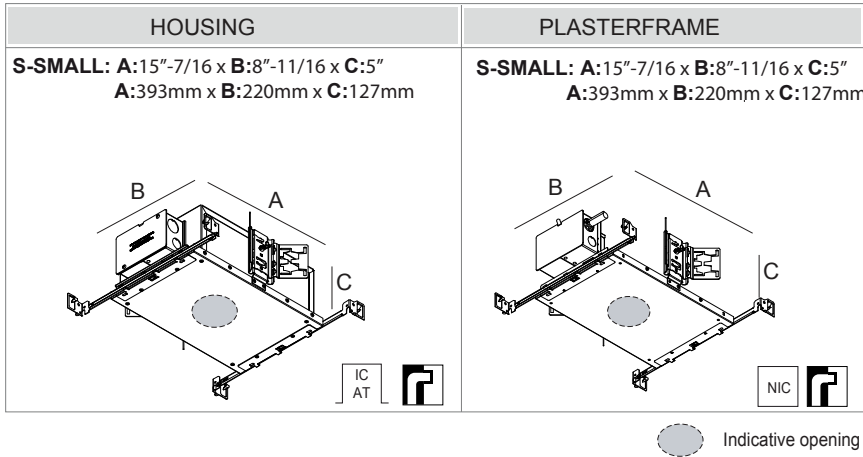
PROJECT INFO

Date _____

Client _____

Project Name _____

Type/Quantity _____



HOUSING

Code	Description
6 202 743 19 31	IC AT HSG S 500mA-DC 12W 0-10V Dim 120-277V Trimless 19 ³
6 202 790 19 11	IC AT HSG S 500mA-DC 12W Mains Dim 120V Trimless 19 ³
6 202 7130 19 11	IC AT HSG S 500mA-DC 10,5W Hi-Lume 2-Wire ² 120V Trimless 19
6 202 7122 19 31	IC AT HSG S 500mA-DC 10,5W Hi-Lume EcoSystem ¹ 120-277V Trimless 19 ³
6 202 722 19 11	IC AT HSG S 650mA-DC 13W Mains Dim 120V Trimless 19

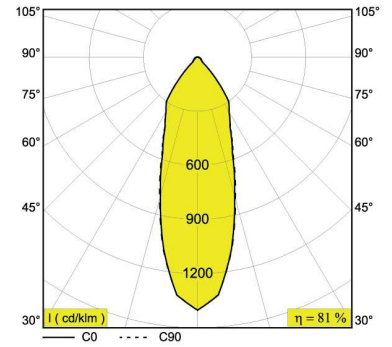
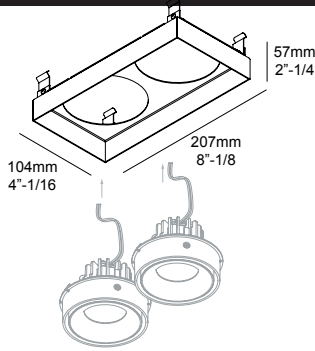
PLASTERFRAME

Code	Description
6 202 0143 19 11	NIC PF S 500mA-DC 12W 0-10V Dim 120V Trimless 19
6 202 0143 19 21	NIC PF S 500mA-DC 12W 0-10V Dim 277V Trimless 19
6 202 0190 19 11	NIC PF S 500mA-DC 12W Mains Dim 120V Trimless 19
6 202 01130 19 11	NIC PF S 500mA-DC 10,5W Hi-Lume 2-Wire ² 120V Trimless 19
6 202 01122 19 11	NIC PF S 500mA-DC 10,5W Hi-Lume EcoSystem ¹ 120V Trimless 19
6 202 01122 19 21	NIC PF S 500mA-DC 10,5W Hi-Lume EcoSystem ¹ 277V Trimless 19
6 202 0122 19 11	NIC PF S 650mA-DC 13W Mains Dim 120V Trimless 19

¹ DIMMING: Lutron Hi-lume 1% EcoSystem LED driver with Softon, Fade-to-Black dimming technology - PEQ1E

² DIMMING: Lutron Hi-lume 1% 2-wire (120V forward phase only) - LTEA2W

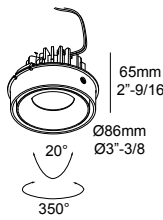
³ JA8 / T24 COMPLIANT



⁽¹⁾Values based on 3000K standard finish at 33°

MINIGRID IN TRIMLESS 2 FRAME

6 202 73 02 ◇
◇ = B / W



Application

Finishing section to be used with DELTA LIGHT ROUGH-IN
For indoor use only

COLOR FINISH (FRAME)

B - Black / W - White

COLOR FINISH (SNAP-IN)

B - Black / W - White

Light Source

Two Max. 10.4W LED included

Delivered Lumens

- 3500K⁽¹⁾ - SP-18°- 1840lm at 500mA
- 3500K⁽¹⁾ - FL-33°- 1806lm at 500mA
- 3500K⁽¹⁾ - WFL-50°- 1785lm at 500mA
- 3000K⁽¹⁾ - SP-18°- 1783lm at 500mA
- 3000K⁽¹⁾ - FL-33°- 1751lm at 500mA
- 3000K⁽¹⁾ - WFL-50°- 1730lm at 500mA
- 2700K⁽¹⁾ - SP-18°- 1712lm at 500mA
- 2700K⁽¹⁾ - FL-33°- 1681lm at 500mA
- 2700K⁽¹⁾ - WFL-50°- 1661m at 500mA

Power Supply

Included in rough-in

Specification features

Housing fabricated of powder coated steel, powder coated steel trim
Pre-installed springs for easy installation
Suitable for dry and damp location
Weight: 1.9lbs

Dimensions

Ceiling Cut out: 5\"/>

CRI > 90

MINIGRID SNAP-IN

3500 K LED [H] 10.4W / 1109lm / 500mA

REFL SP 18° ◇
◇ = B / W

REFL FL 33° ◇
◇ = B / W

REFL WFL 50° ◇
◇ = B / W

3000 K LED [H] 10.4W / 1075lm / 500mA

REFL SP 18° ◇
◇ = B / W

REFL FL 33° ◇
◇ = B / W

REFL WFL 50° ◇
◇ = B / W

2700 K LED [H] 10.4W / 1032lm / 500mA

REFL SP 18° ◇
◇ = B / W

REFL FL 33° ◇
◇ = B / W

REFL WFL 50° ◇
◇ = B / W

ADJUSTABLE 0°- 20° / 350°

1.9 IP20 / IP23 DAMP

REQUIREMENTS

ROUGH-IN
2 x MINIGRID SNAP-IN

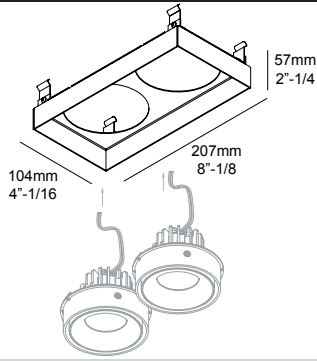
PROJECT INFO

Date

Client

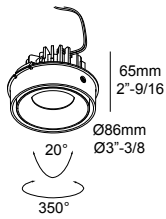
Project Name

Type/Quantity



MINIGRID IN TRIMLESS 2 FRAME

6 202 73 02 ◇
◇ = B / W



CRI > 90

MINIGRID SNAP-IN SOFT



LED 9.5W / 760lm / 650mA



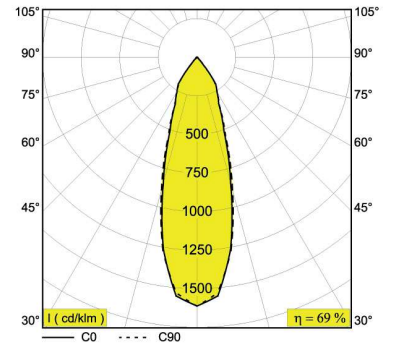
6 202 790 1902 ◇
◇ = B / W

ADJUSTABLE 0° - 20° / 350°

1.9 IP20 DAMP

REQUIREMENTS

ROUGH-IN
2 x MINIGRID SNAP-IN



⁽¹⁾Values based on 3000K standard finish at 40°

Application

Finishing section to be used with DELTA LIGHT ROUGH-IN
For indoor use only

COLOR FINISH (FRAME)

B - Black / W - White

COLOR FINISH (SNAP-IN)

B - Black / W - White

Light Source

Two Max. 9.5W LED included

Delivered Lumens

2700K⁽¹⁾ - FL-33° - 1041lm at 650mA

Power Supply

Included in rough-in

Specification features

Housing fabricated of powder coated steel, powder coated steel trim
Pre-installed springs for easy installation
Suitable for dry and damp location
Weight: 1.9lbs

Dimensions

Ceiling Cut out: 5"-1/8 x 9"-3/16

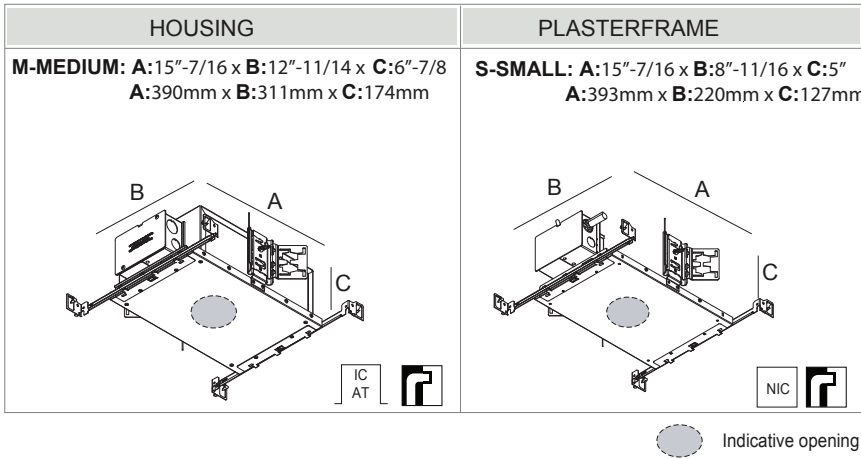
PROJECT INFO

Date _____

Client _____

Project Name _____

Type/Quantity _____



HOUSING

Code	Description
6 202 245 20 31	IC AT HSG M 500mA-DC 25W 0-10V Dim 120-277V Trimless 20 ³
6 202 263 20 11	IC AT HSG M 500mA-DC 22W Mains Dim 120V Trimless 20 ³
6 202 2133 20 11	IC AT HSG M 500mA-DC 21W Hi-Lume 2-Wire ² 120V Trimless 20
6 202 2125 20 31	IC AT HSG M 500mA-DC 21W Hi-Lume EcoSystem ¹ 120-277V Trimless 20 ³
6 202 222 20 11	IC AT HSG M 650mA-DC 13W Mains Dim 120V Trimless 20

PLASTERFRAME

Code	Description
6 202 0145 20 11	NIC PF S 500mA-DC 25W 0-10V Dim 120V Trimless 20
6 202 0145 20 21	NIC PF S 500mA-DC 25W 0-10V Dim 277V Trimless 20
6 202 0163 20 11	NIC PF S 500mA-DC 22W 0-10V Dim 120V Trimless 20
6 202 01133 20 11	NIC PF S 500mA-DC 22W Mains Dim 120V Trimless 20
6 202 01125 20 11	NIC PF S 500mA-DC 21W Hi-Lume EcoSystem ¹ 120V Trimless 20
6 202 01125 20 21	NIC PF S 500mA-DC 21W Hi-Lume EcoSystem ¹ 277V Trimless 20
6 202 0122 20 11	NIC PF S 650mA-DC 13W Mains Dim 120V Trimless 20

¹DIMMING: Lutron Hi-Lume 1% EcoSystem LED driver with Softon, Fade-to-Black dimming technology - PEQ1E

²DIMMING: Lutron Hi-Lume 1% 2-wire (120V forward phase only) - LTEA2W

³JA8 / T24 COMPLIANT