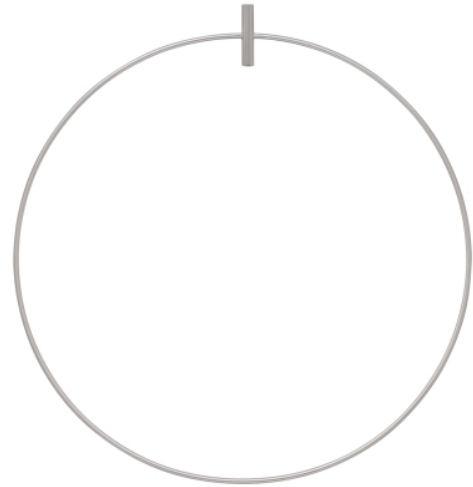


## PRODUCT FEATURES

- Simple circular shape that adds dimension to cord and socket pendants
- Available in on-trend colors
- Ideal for adding additional drama and eye alluring style to cord and socket pendants
- Simple installation and seamless integration into existing cord and socket designs
- Available in three distinct sizes, small, medium and large
- Protected by a 1-year warranty



## LAMPING

Pendants sold separately

18" Medium  
Satin Nickel



13" Small  
Black

13" Small  
Satin Nickel

18" Medium  
Aged Brass

18" Medium  
Black

To view all available finish options, please visit [techlighting.com](http://techlighting.com)

## ORDERING INFORMATION

### 700LOCUSR SHAPE OR SIZE

- 13 13" SMALL
- 18 18" MEDIUM
- 23 23" LARGE

### FINISH

- R AGED BRASS
- B BLACK
- S SATIN NICKEL

700LOCUSR \_\_\_\_\_

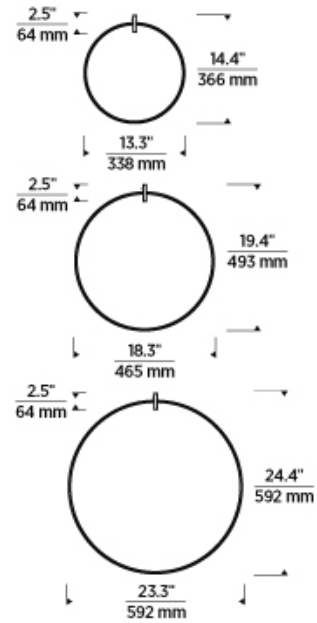
JOB NAME \_\_\_\_\_

NOTES \_\_\_\_\_



## SPECIFICATIONS

HARDWARE MATERIAL	Metal
SHADE MATERIAL	
NET WEIGHT	0.25 lbs
HEIGHT	13.3in
WIDTH	12.8in
LENGTH	12.8in
UP LIGHT / DOWN LIGHT / BOTH?	
WET LISTED	
DAMP LISTED	
DRY LISTED	
MIN. HANGING HEIGHT	
MAX HANGING HEIGHT	
TOTAL CORD LENGTH	
TOTAL STEM LENGTH	
STEM QTY	
SLOPED CEILING ADAPTABLE?	N/A
GENERAL LISTING	
INCLUDES	



## LAMPING SPECIFICATIONS

	LED LAMP	INTEGRATED LED	NON LED	NO LAMP
DELIVERED LUMENS				
WATTS				
MAX WATTAGE PER BULB				
INPUT VOLTAGE			0V	
DIMMING TYPE*				
CCT				
CRI				
LED LIFETIME				
L70				
AVERAGE BULB HOURS				
FIELD SERVICEABLE LED				
LAMP BASE				
LAMP SHAPE				
LAMP INCLUDED?				
WARRANTY**			1 Year	

\*Dimming information available at [www.techlighting.com/Downloads#dimming](http://www.techlighting.com/Downloads#dimming)  
 \*\* Visit [techlighting.com](http://techlighting.com) for specific warranty limitations and details.

## T20 / T24 / JA8 INFORMATION

	Integrated LED	Replacement LED Lamp	No Lamp *
This product can be used to comply with California Building Energy Efficiency Standards 2016 <b>Title 24</b> Part 6 / <b>JA8</b> .			N/A
This product can be used to comply with California Appliance Efficiency Standards 2016 <b>Title 20</b> and may be shipped to and sold in California.			N/A

\* If a light fixture or component does not include a lamp or light source, it is the responsibility of the customer to select a lamp that meets the T24 and T20 requirements.

