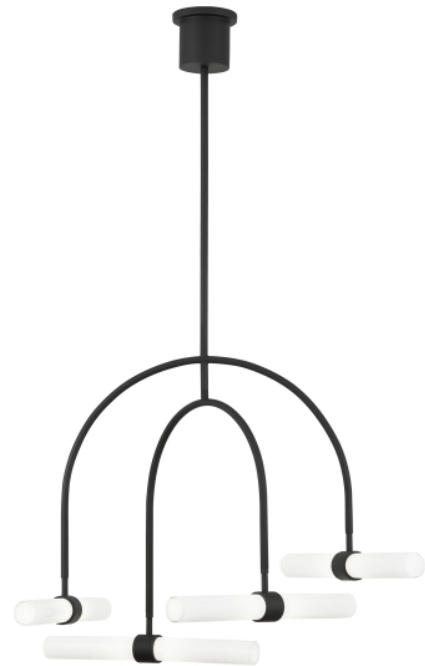


CALUMN 4-LIGHT CHANDELIER

PRODUCT FEATURES

- Inspired by the cascading chandelier and designed with cylinder tubes to express dynamic volume and visual interest.
- Available in modern finishes.
- Complete the look with the entire Calumn Collection including Line-Voltage Pendant and 6-Light Chandelier.
- Dimmable with most LED compatible ELV, Triac dimmers.
- Includes (2) 6" and (4) 12" rigid stems in coordinating finish
- Protected by a 5-year warranty. Please visit the "About Us" Page on techlighting.com for more for warranty details



Nightshade Black

LAMPING

Includes 32 watts, 1100 total delivered lumens, 3000K LED modules. Dimmable with most LED compatible ELV and TRIAC dimmers. Includes (4) 12" and (2) 6" rigid stems in coordinating finish. Cannot be installed on sloped ceiling.



Nightshade Black

Nightshade Black
3/4 View

Natural Brass

Natural Brass 3/4
View

ORDERING INFORMATION

700CLM	SHAPE OR SIZE	FINISH	LAMP
	4 4 LIGHT	NB NATURAL BRASS B NIGHTSHADE BLACK	-LED930 INTEGRATED LED 90 CRI 3000K 120V

This product can mount to either a 4" square electrical box with round plaster ring or an octagon electrical box.

700CLM _____

JOB NAME _____

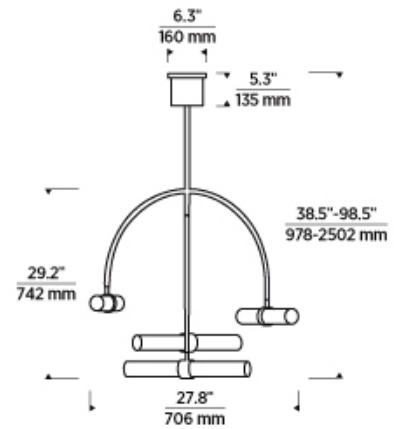
NOTES _____



CALUMN 4-LIGHT CHANDELIER

SPECIFICATIONS

HARDWARE MATERIAL	Metal
SHADE MATERIAL	Glass
NET WEIGHT	9.5 lbs
HEIGHT	29.2in
WIDTH	27.8in
LENGTH	27.8in
UP LIGHT / DOWN LIGHT / BOTH?	
WET LISTED	
DAMP LISTED	Yes
DRY LISTED	
MIN. HANGING HEIGHT	38.5in
MAX HANGING HEIGHT	98.5in
TOTAL CORD LENGTH	
TOTAL STEM LENGTH	Up to 60in
STEM QTY	6
SLOPED CEILING ADAPTABLE?	No
GENERAL LISTING	UL Listed
INCLUDES	



LAMPING SPECIFICATIONS

	LED LAMP	INTEGRATED LED	NON LED	NO LAMP
DELIVERED LUMENS		1100		
WATTS		32		
MAX WATTAGE PER BULB		32W		
INPUT VOLTAGE		120V		
DIMMING TYPE*		ELV, TRIAC		
CCT		3000K		
CRI		90 CRI		
LED LIFETIME				
L70		>50000		
AVERAGE BULB HOURS				
FIELD SERVICEABLE LED				
LAMP BASE		Integrated LED		
LAMP SHAPE		Integrated LED		
LAMP INCLUDED?		True		
WARRANTY**		5 Years		

*Dimming information available at www.techlighting.com/Downloads#dimming

** Visit techlighting.com for specific warranty limitations and details.

T20 / T24 / JA8 INFORMATION

	Integrated LED	Replacement LED Lamp	No Lamp *
This product can be used to comply with California Building Energy Efficiency Standards 2016 Title 24 Part 6 / JA8 .	Yes		
This product can be used to comply with California Appliance Efficiency Standards 2016 Title 20 and may be shipped to and sold in California.	N/A		

* If a light fixture or component does not include a lamp or light source, it is the responsibility of the customer to select a lamp that meets the T24 and T20 requirements.

