

LUCCIOLA

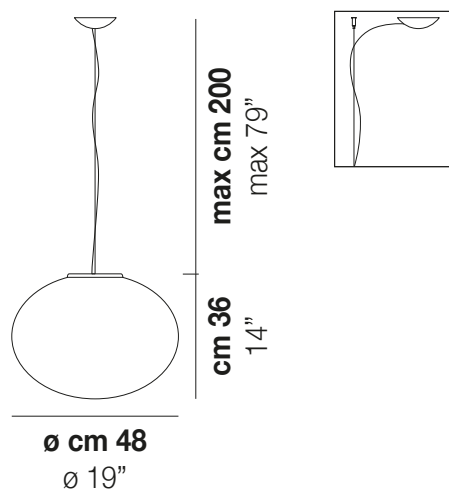
Design Vistosi

LUCCIOLA SP G



One of our most versatile series. The oval and mouth-blown satin glass shade are available in different sizes, that can be combined to offer multiple possibilities.

LUCCIOLA SP G



TECHNICAL DATA:



CERTIFICATIONS:



LIGHT SOURCES

3x60W 120V/60HZ 3XE26

VOLUME Mc 0,22
GROSS WEIGHT Kg 8
NET WEIGHT Kg 4

[download](#)

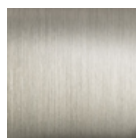


SHADE FINISHING



BCST

FRAME FINISHING



NI

OTHER VERSION AVAILABLE

Click on the version to go to the web version of the product

