

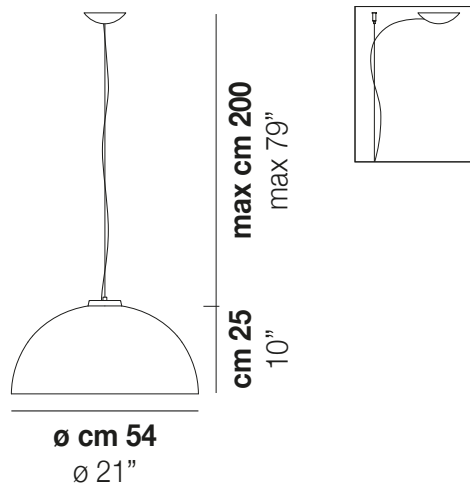
DRESS

Design Vistosi

DRESS SP G



Dress essential design makes it suitable for any contemporary atmosphere.
Available as ceiling with glossy white glass finish.



DRESS SP G

TECHNICAL DATA:

CERTIFICATIONS:



LIGHT SOURCES

1x60W 120V/60HZ E26

VOLUME Mc 0,18

GROSS WEIGHT Kg 8,5

NET WEIGHT Kg 4,5

download



SHADE FINISHING



BCLU

FRAME FINISHING



CR