

LUNA

3.5" LUNA LED 2-Light Linear Gimbal Color Selectable Recessed Fixture Recessed Downlighting

Job Information		
Project Name		Type
Location		
Quantity		Date
Contact/Phone		
Notes		

Features

Body

Durable airtight aluminum body with adjustable gimbal. Includes anodized blue heat sink to provide maximum airflow for the LED light source.

LED Characteristics

This general application light fixture features 18 watt LED module that maintains uniform intensity producing up to 1280 lumens; with a typical CRI of 90. On-fixture color selectable switch allows switching between 2700 K, 3000 K, 3500 K, 4000 K and 5000 K color temperatures.

Dimming

100%-10% dimming capability. This fixture is compatible with industry standard forward-phase / reverse-phase and TRIAC/ELV dimmers (contact factory for list of compatible dimmers).

Beam Spread

The fixture lens provides 38° beam spread.

Mounting

Includes four spring loaded clips to attached to any ceiling material.

LED Driver

Extruded aluminum hardwire box with two 210mA dimmable class II electronic LED drivers with 100-135V AC input. Includes an 18" FT6 rated cable with DC 2.1 connector between driver and fixture approved for use in plenums and suspended ceilings.

Quick Connect push-in terminals

"Quick connect" push-in terminals for fast and easy wiring.

Operating Temperature

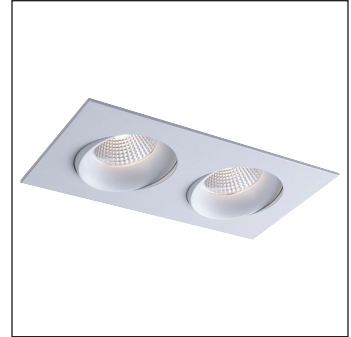
-20°C~40°C (-4°F~104°F)

Environment

- Suitable for wet locations.
- Approved for direct contact with insulation.
- Airtight

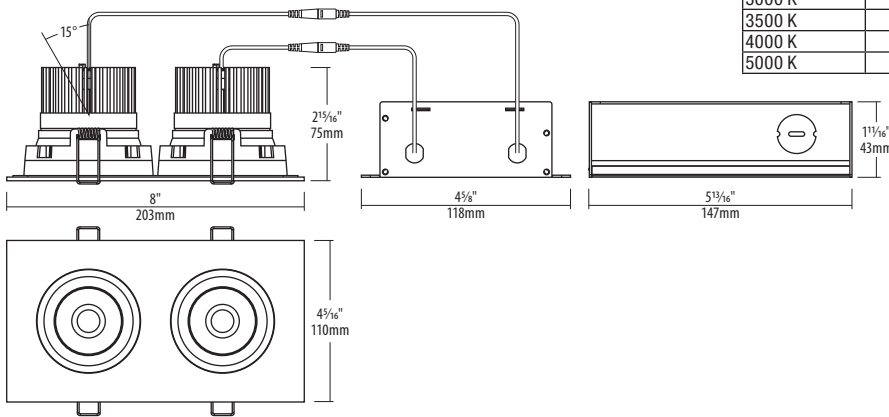
SPECIFICATION	
Application	Ceiling Recess Mount
Approved Location	Wet / Insulated Ceilings
Beam Angle	38°
CCT (color selectable)	2700 K / 3000 K / 3500 K / 4000 K / 5000 K
Certification	cETLus
Class II	Yes
Color	BK / BN / WH
CRI	90+
Dimming	Yes
Dimming Tech	Forward/reverse-phase TRIAC/ELV
Energy Star	Yes
Hole Cut	7 1/4" x 3 5/8" (184 x 92mm)
Input	100-135V AC, 50 / 60Hz
Lumens	Up to 1280
Lumens per Watt	Up to 75
Power Factor	>0.90
Projected Life	70% @ 50,000 hrs
Warranty	Lifetime
Wattage	18W

CCT	LUMEN OUTPUT
2700 K	1175
3000 K	1200
3500 K	1280
4000 K	1250
5000 K	1175



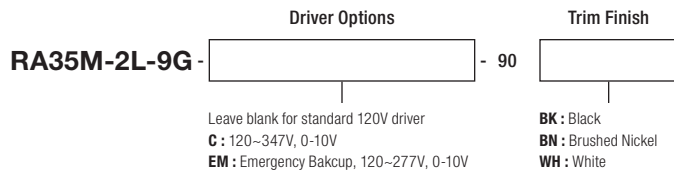
Description

The RA35M-2L-9G-90 is a 3.5" 2-light linear gimbal recessed light fixture for retrofit application. It is a high-performance, easy to install downlight solution that offers good light output, energy-efficiency and streamlined design. Suitable for damp locations.



Notes: Accessories are sold separately. For additional options please consult your Liteline representative. Due to our continued efforts to improve our products, product specifications are subject to change without notice.

Ordering Guide



Accessories



SLM-60-FC

60" Flexible connector, for use with SlimLED fixtures.



P-3520-2L

Premounting plate for LUNA 2-light linear gimbal. For use in new construction applications.



P-NCMK-1

New construction mounting kit. Includes hanger bars, brackets and screws.



VBE-1

Vapour barrier extender. For use in new construction applications.



LC-CRTL-3WAY-1

OnCloud Smart Wi-Fi 3-Way Switch, compatible with WIZ App.



LC-CRTL-DIM-1

OnCloud Smart Wi-Fi dimmer, 120V, compatible with WIZ App.