



Vistosi



Vetreria Vistosi Srl · Via G. Galilei, 9-9/A-11 · 31021 Mogliano V.to · Treviso · Italy
P. Iva IT02497840278 · Cap. Soc. € 100.000,00 I.V. · N° R.E.A. TV - 170728
Cod. Fisc. - R.I. N° 01808840266 · Iscr. Reg. AEE N° IT08010000000170
Tel. +39 041 5900170 - 041 5903480 · Fax +39 041 5900992 - 041 5904540
vetreriavistosi@legalmail.it · www.vistosi.it · vistosi@vistosi.it

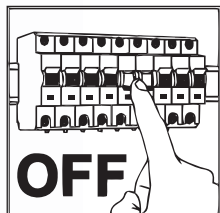


AZIENDA CERTIFICATA UNI EN ISO 9001:2000

PUPPET SP 18P UL

(Rev 00)

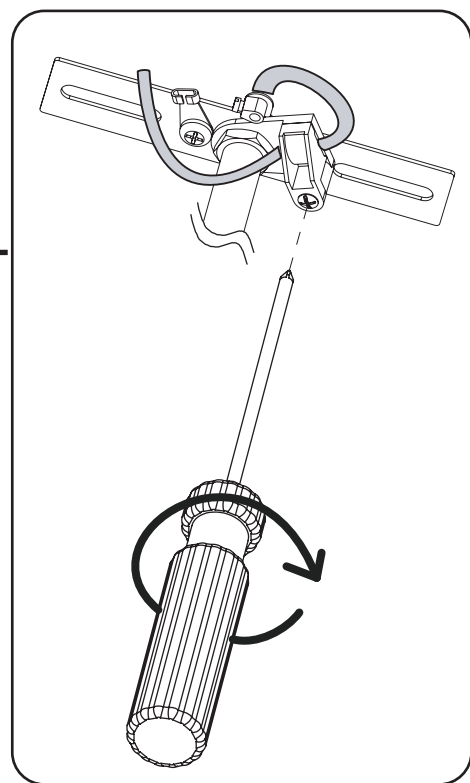
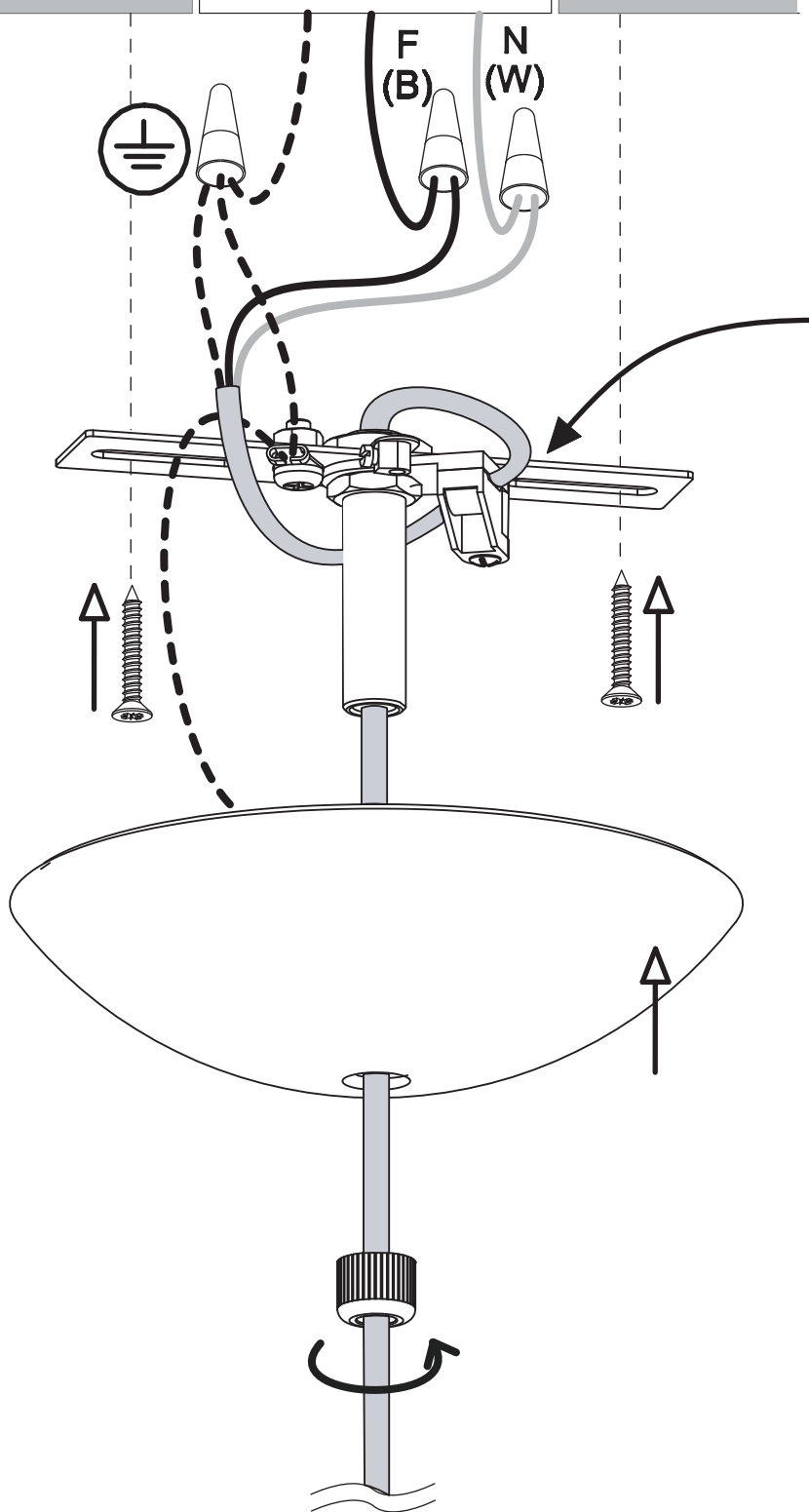
Vistosi

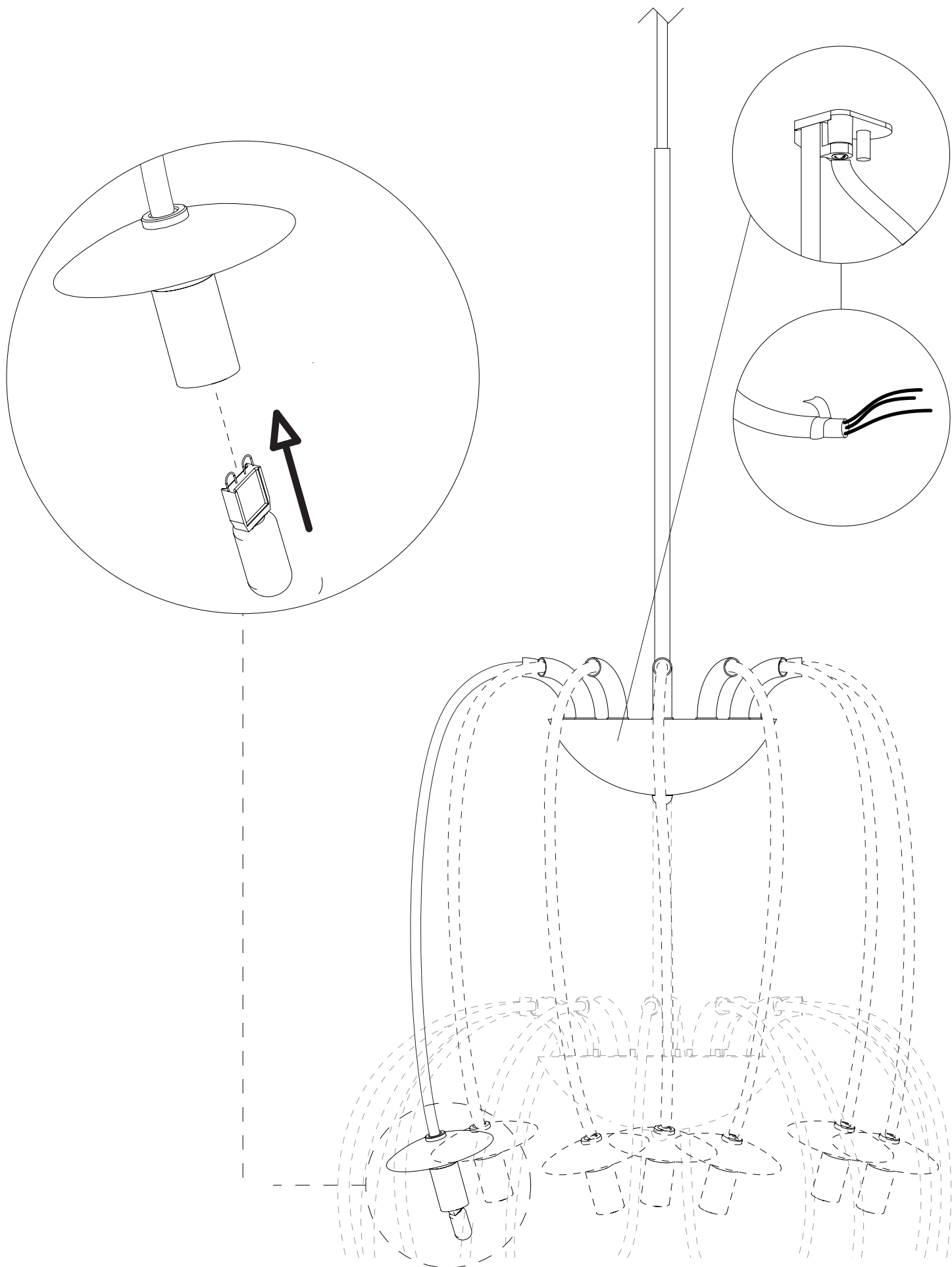


OUTLET BOX

F = FASE
(B) = BLACK

N = NEUTRAL
(W) = WHITE

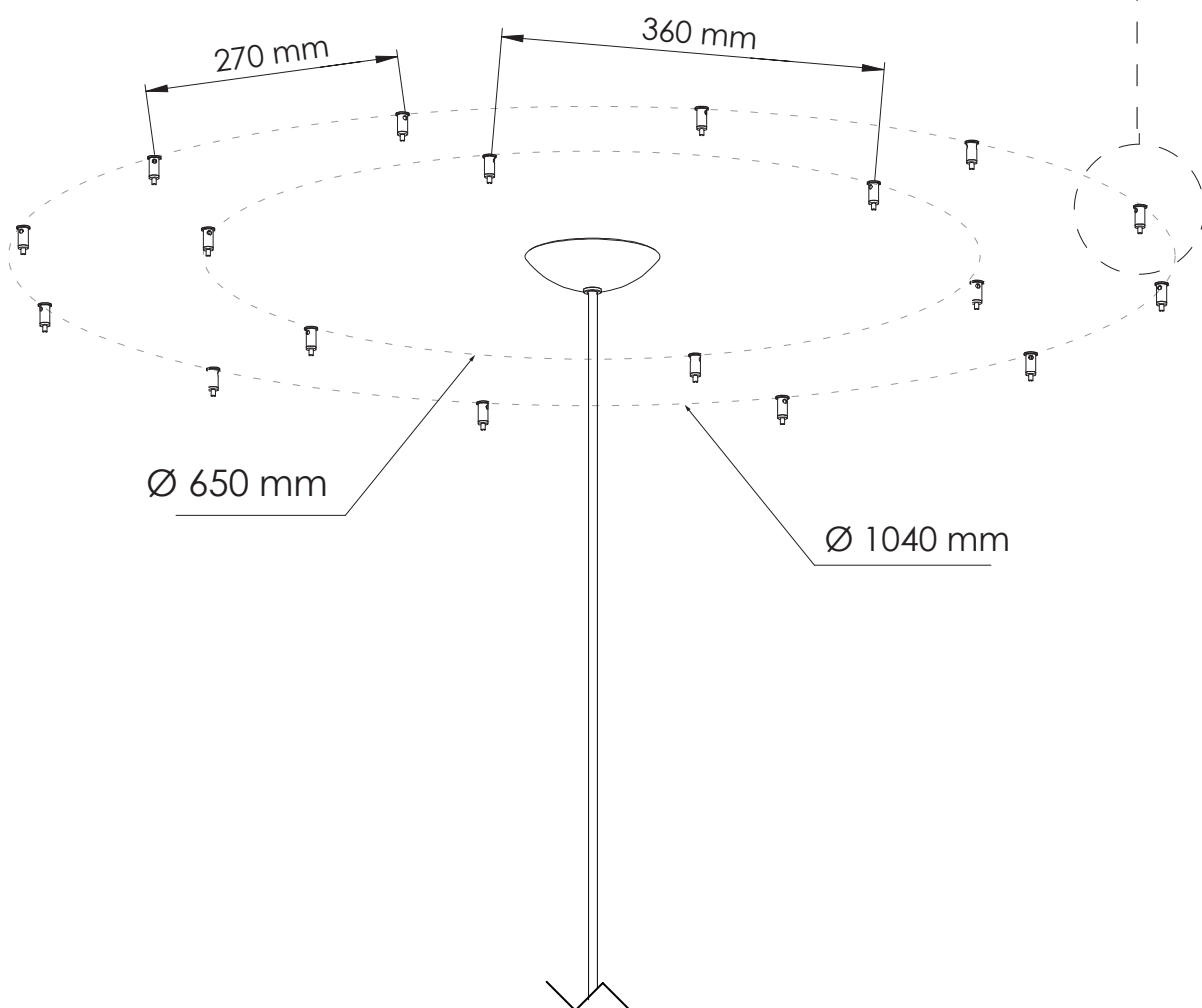
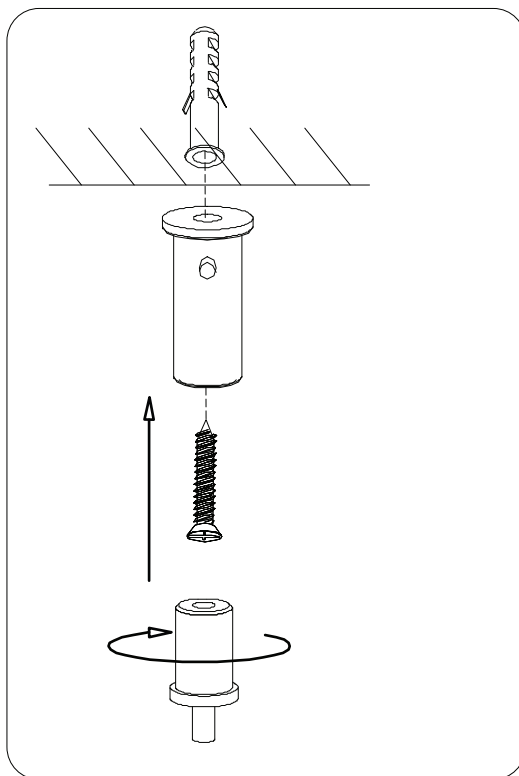


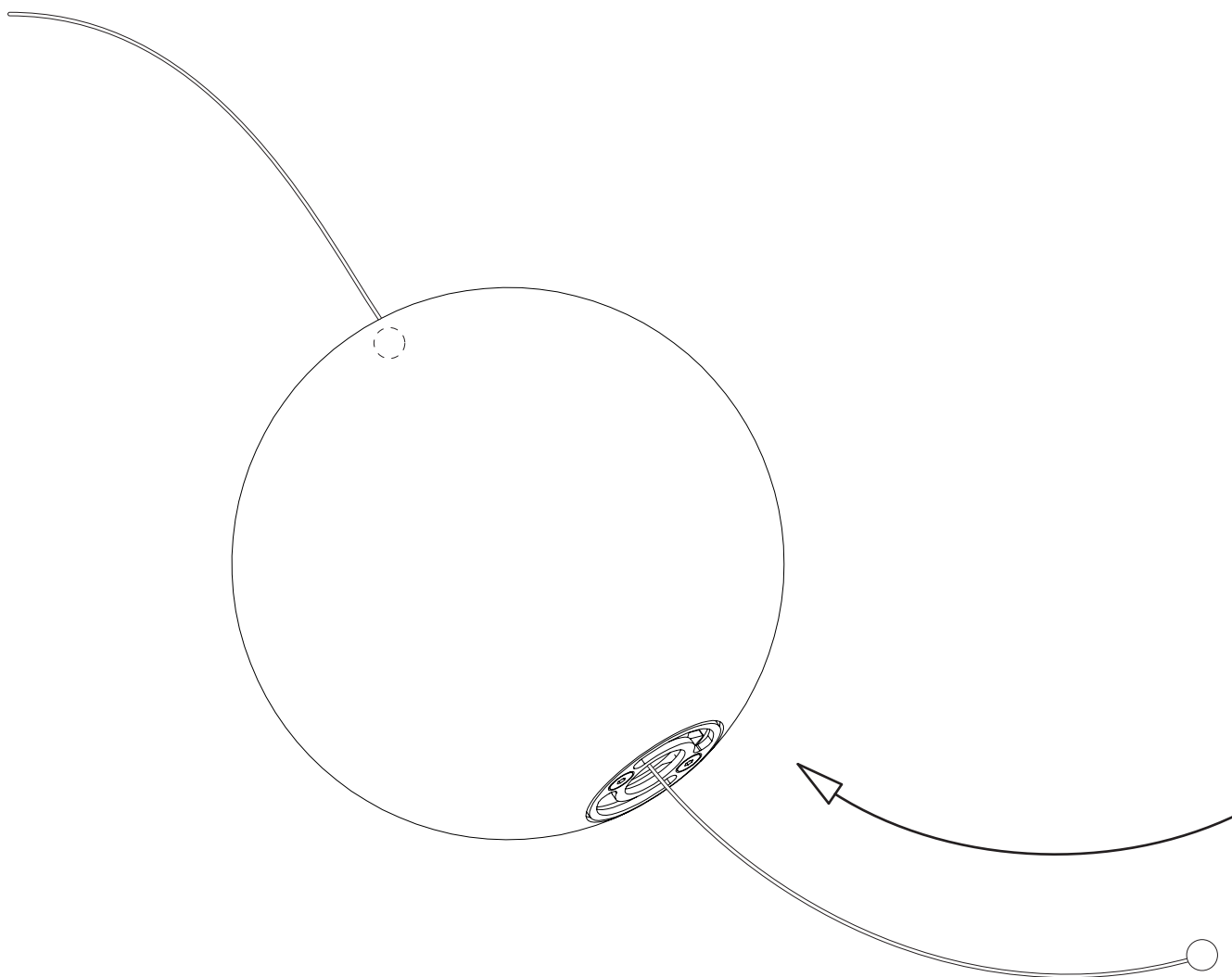
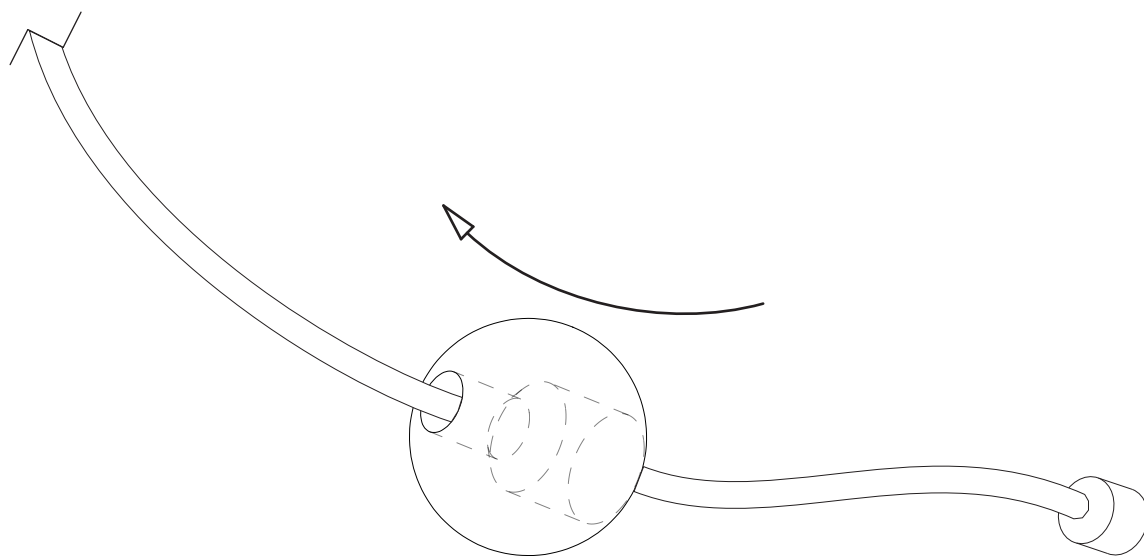


PUPPET SP 18P UL

(Rev 00)

Vistosi

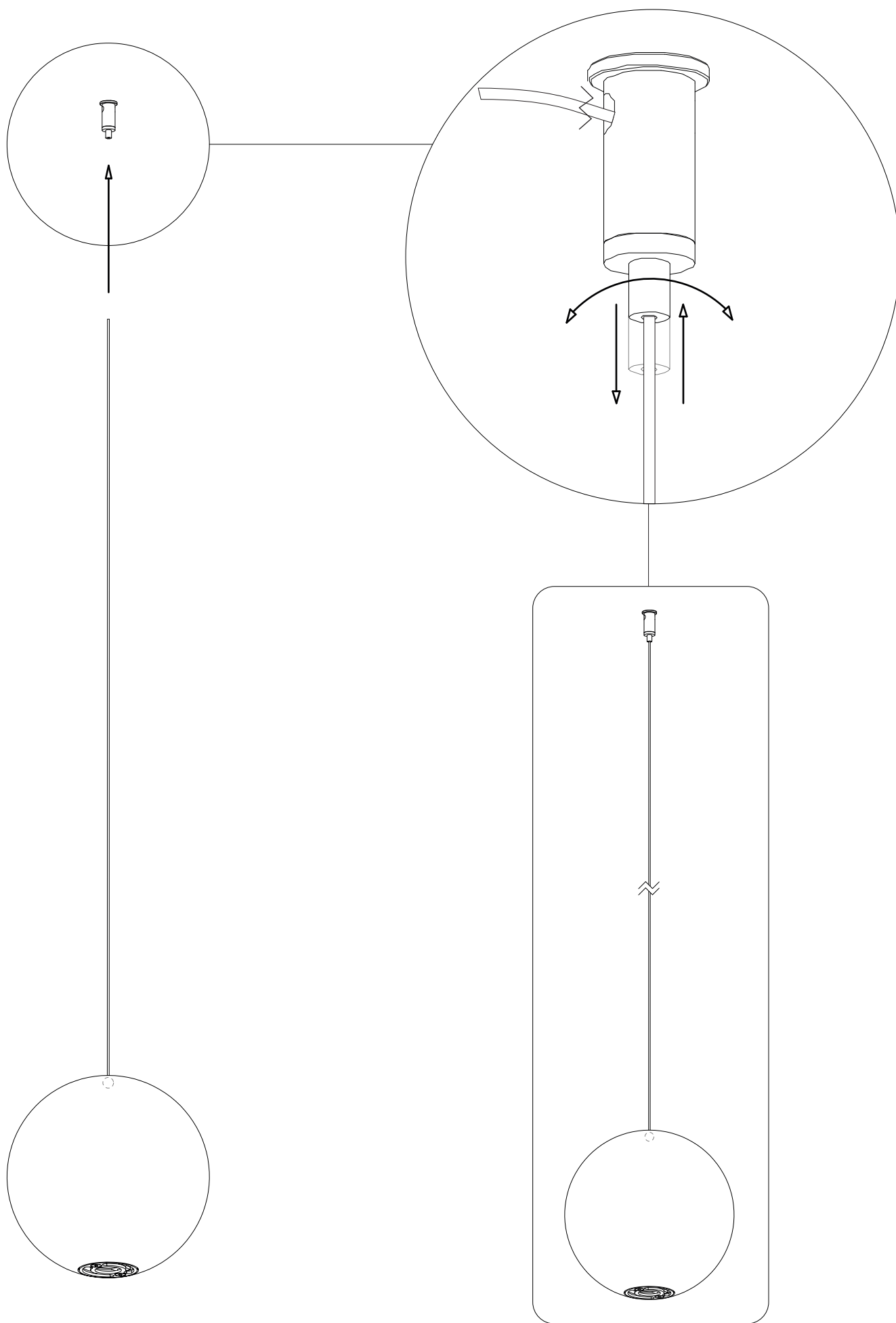




PUPPET SP 18P UL

(Rev 00)

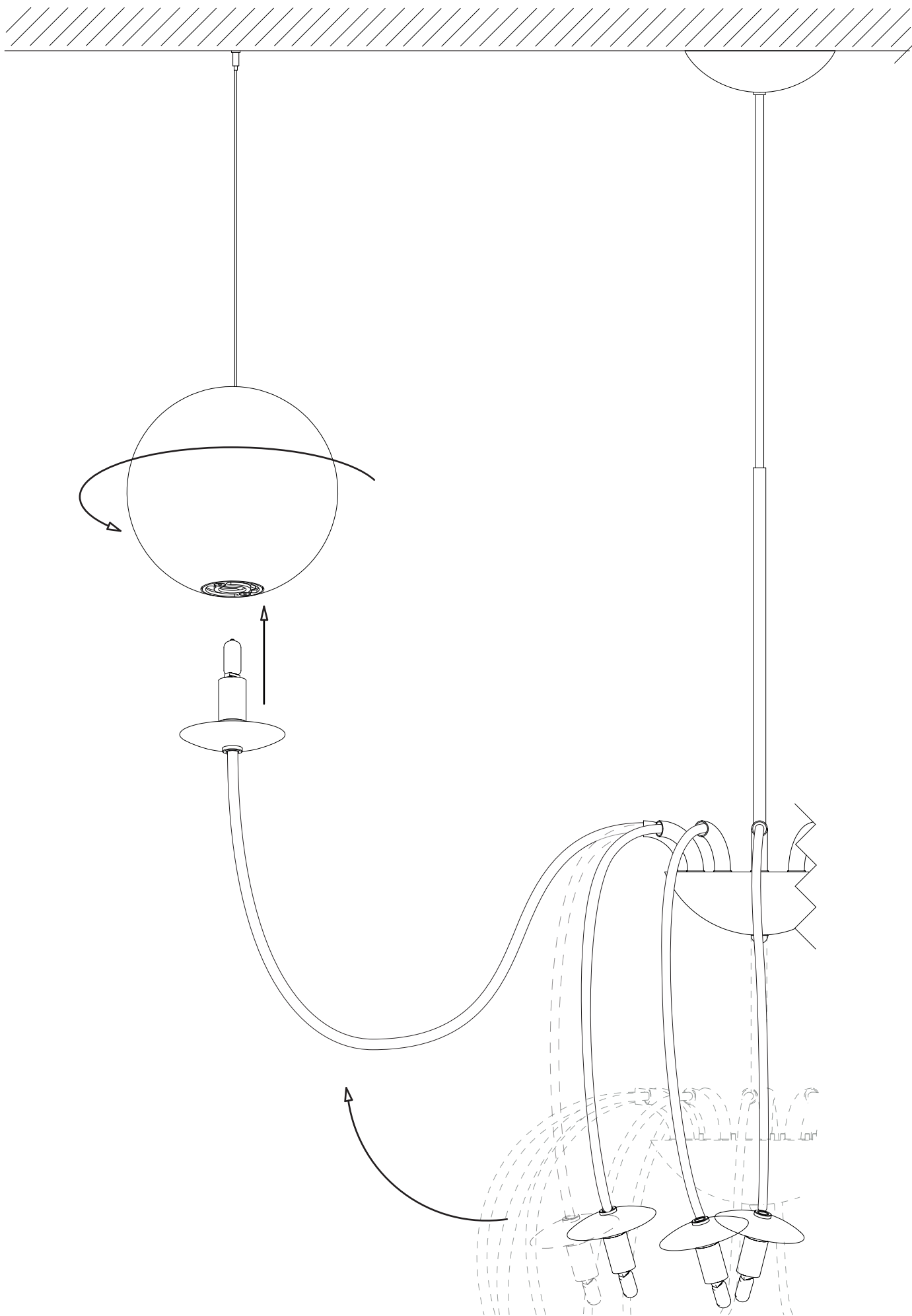
Vistosi



PUPPET SP 18P UL

(Rev 00)

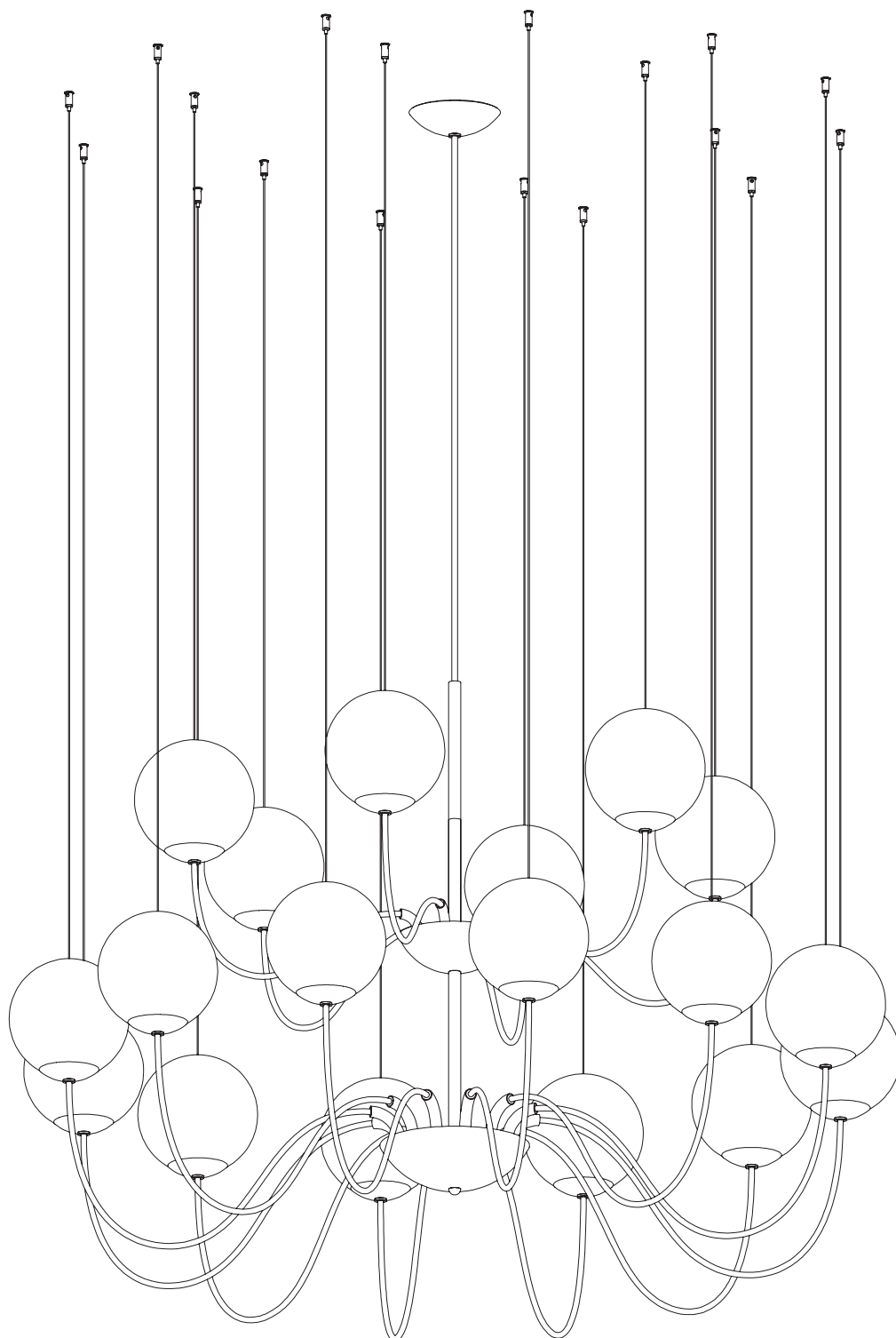
Vistosi



PUPPET SP 18P UL

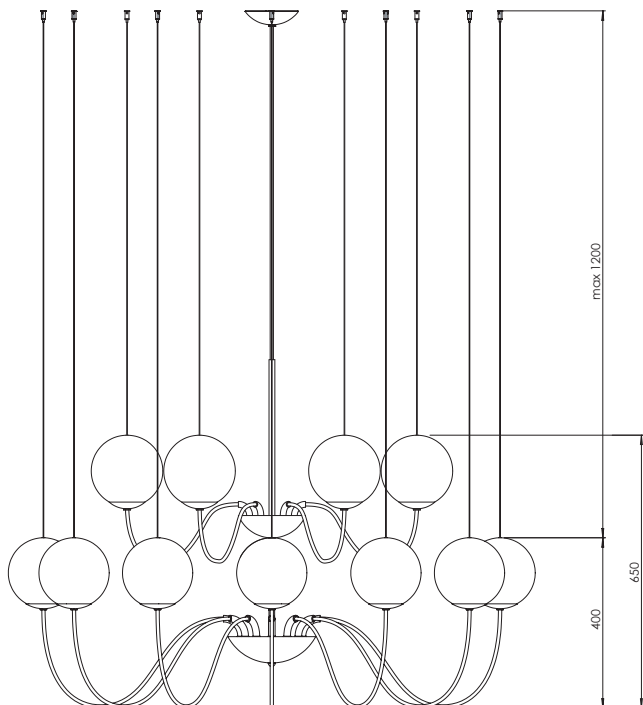
(Rev 00)

Vistosi





SP 18 P DOUBLE LEVEL



SP 18 P RANDOM

