

nh S5 elliptic suspension

1279018A

SPECIFICATIONS



Design By

NERI&HU

Collection

Design



Specifications

Lamp type	LED-T (Non Integrated) ONLY
Lamp	max 2X15W E26/A19 + 4X5W LED E12/G16.5
Lamp Included	No
Control type	Dimmable 2-Wire
Input Voltage	120V
Power consumption	50W
Ballast	N/A

Colors & Finishes

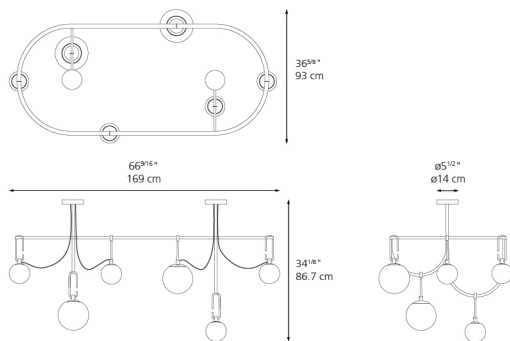
- White Glass (Diffuser)
- Brushed Brass (Ring)
- Black (Stem, Cable, Canopy)

Materials

- Diffuser in white blown glass
- Adjustable ring in a brushed brass
- Structure in metal painted black

Features & Accessories

Dimensions



Packaging

1 Box

1 x 37-1/2" x 74-7/8" x 37-1/2" / 76.06 lbs - 95 cm x 190 cm x 90 cm / 34.5 kg

Light distribution

Diffused

Luminaire weight

22.64 lbs / 10.27 kg

Warranty

5 year limited warranty