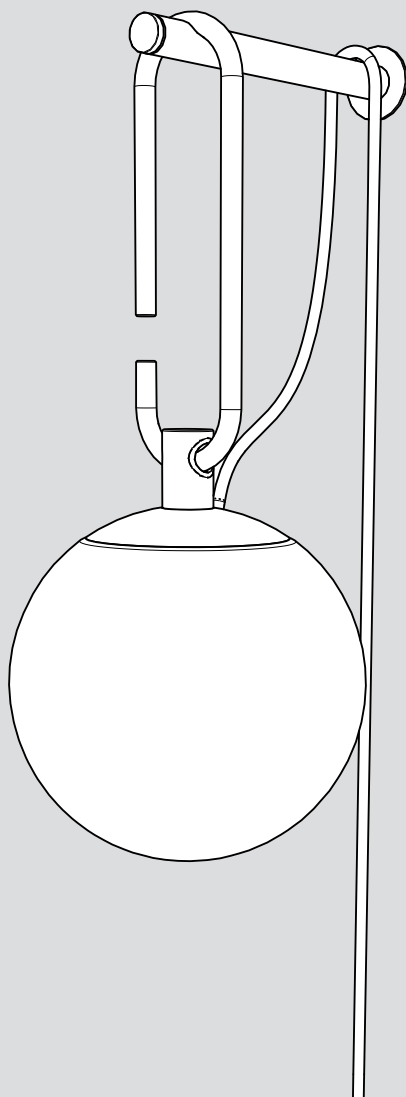


Artemide®

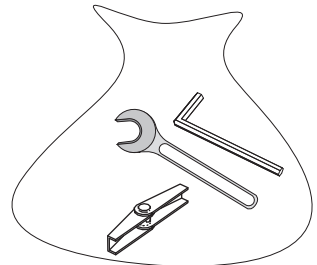
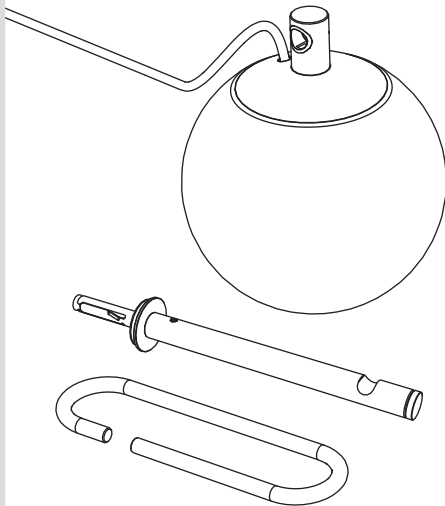
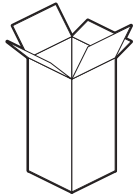
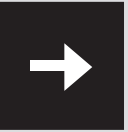
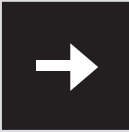
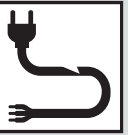
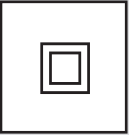
nh

design
Neri & Hu

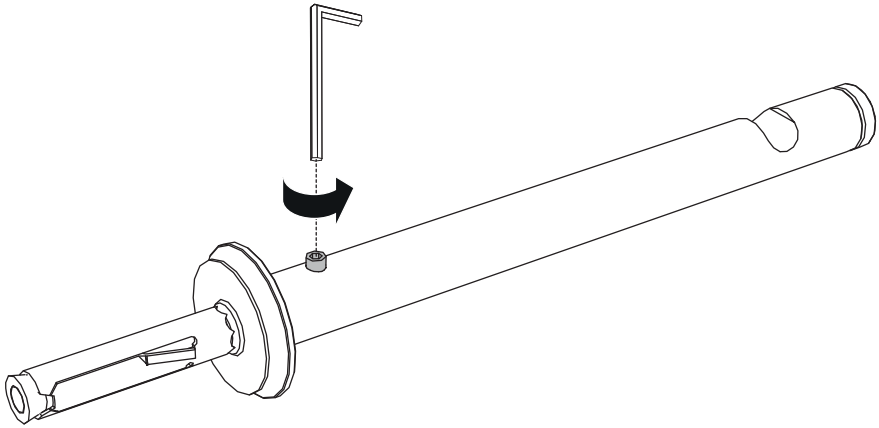




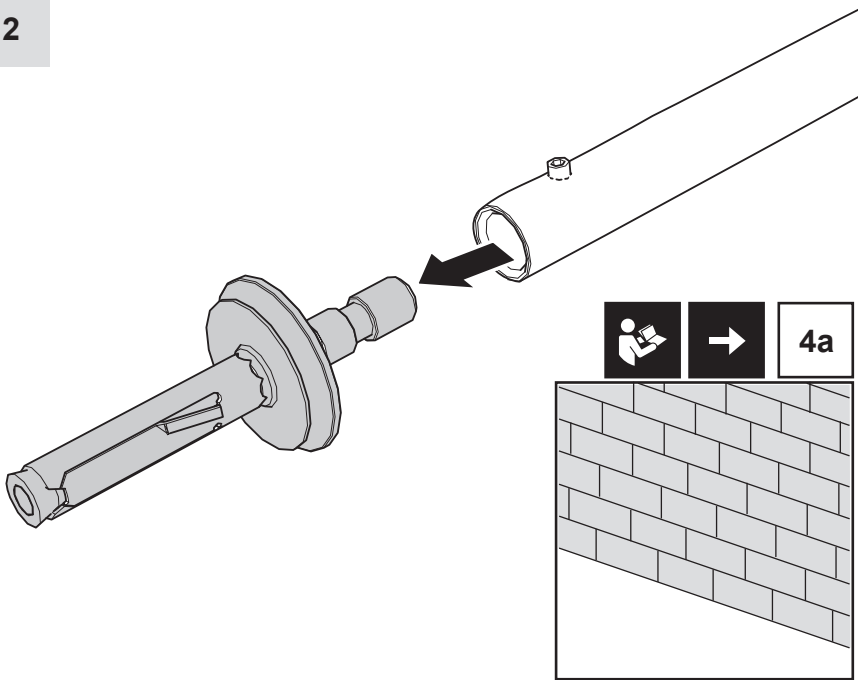
i



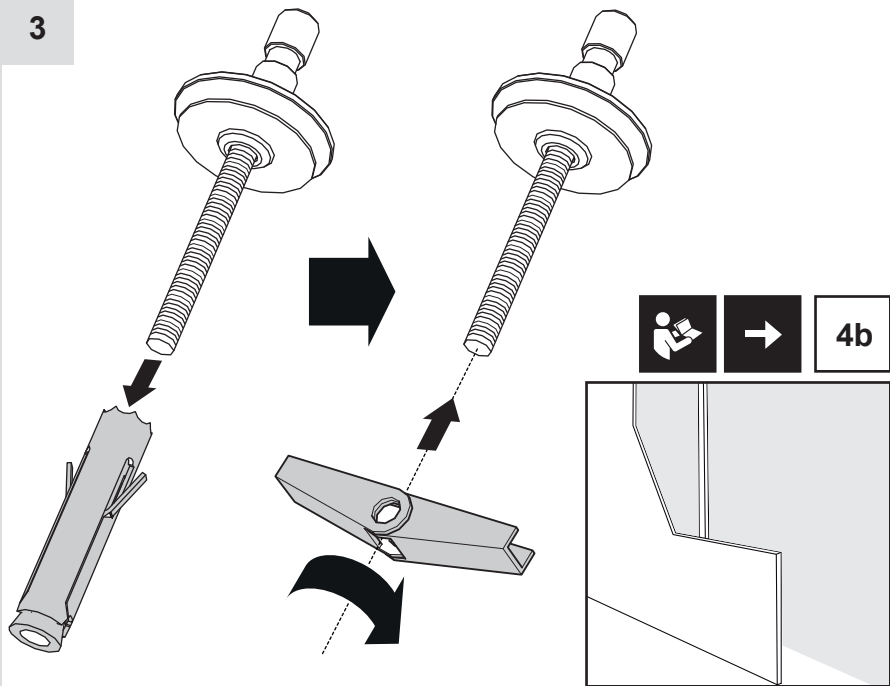
1



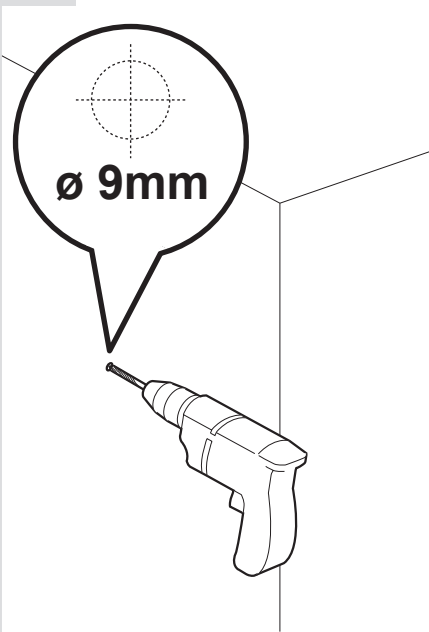
2



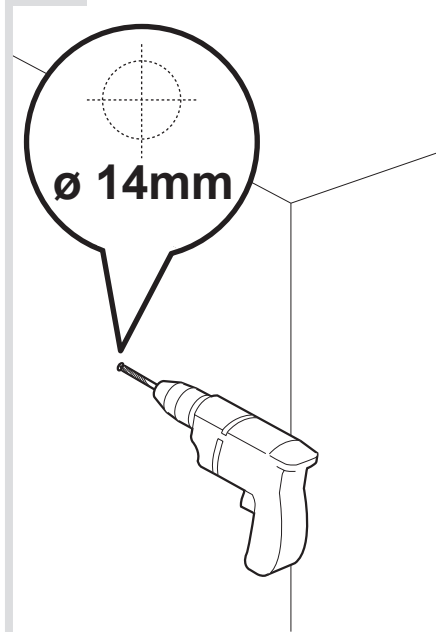
3



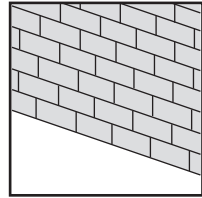
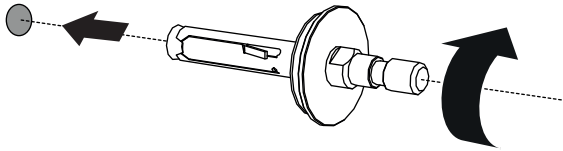
4a



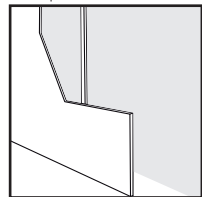
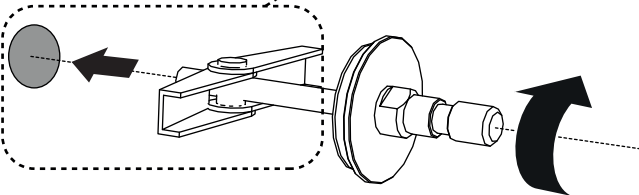
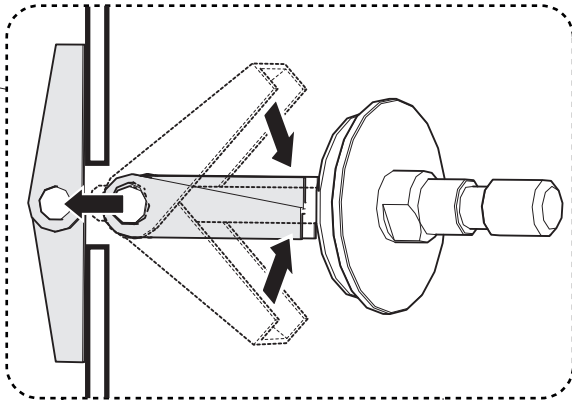
4b



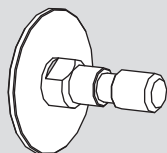
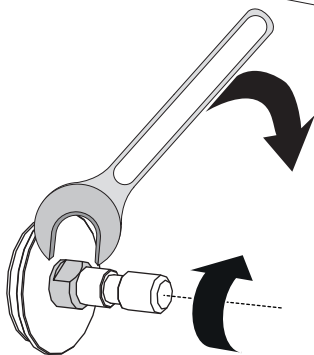
5a



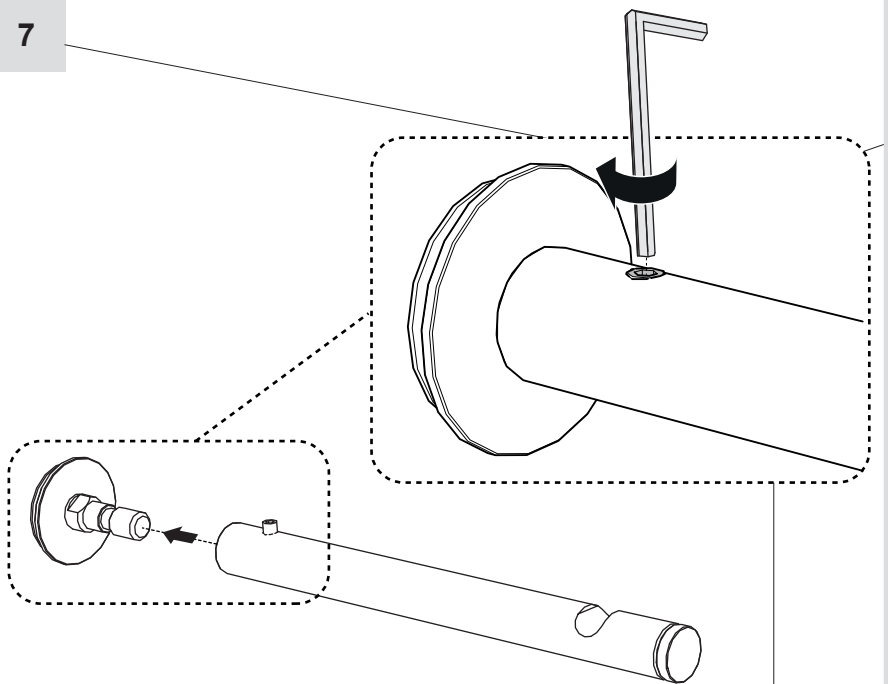
5b



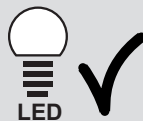
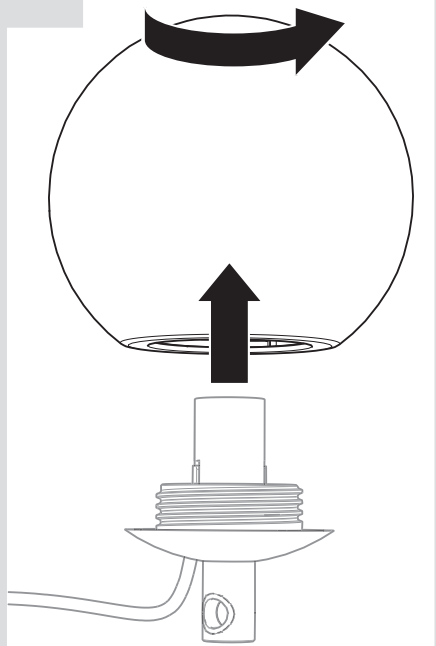
6



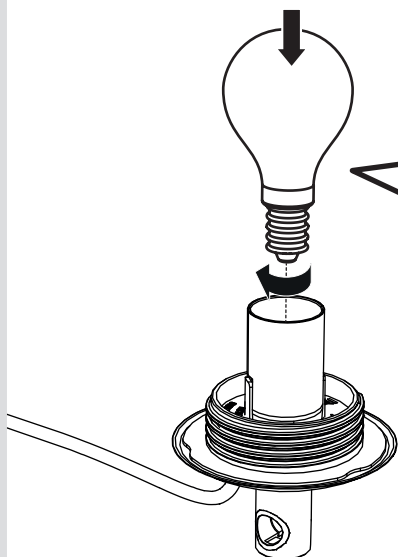
7



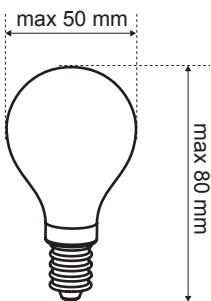
8



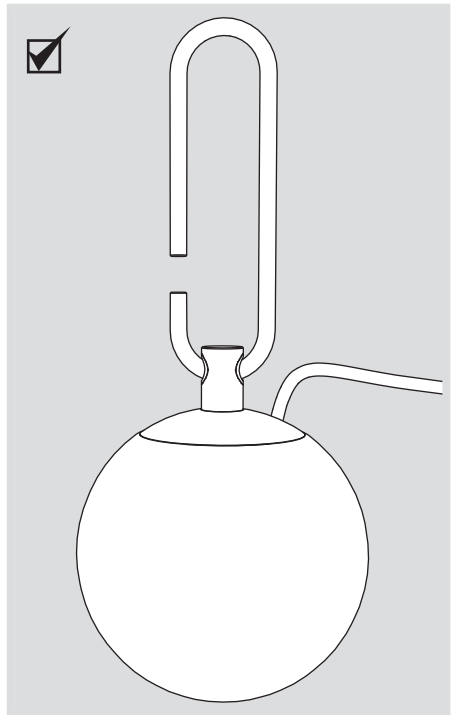
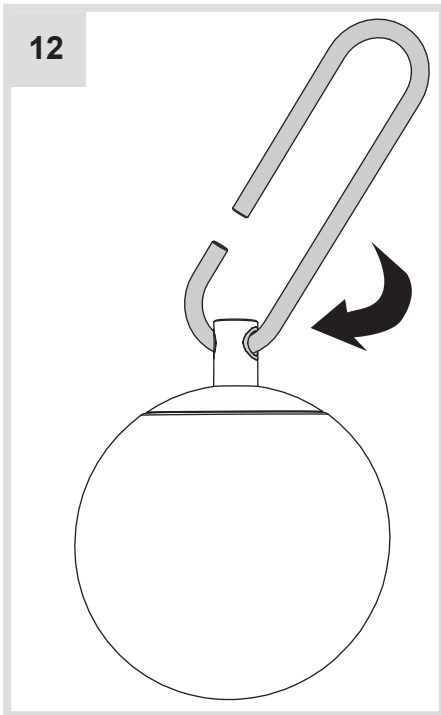
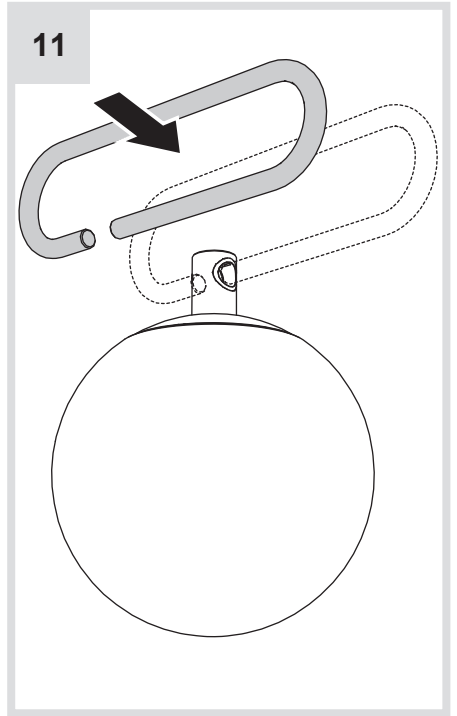
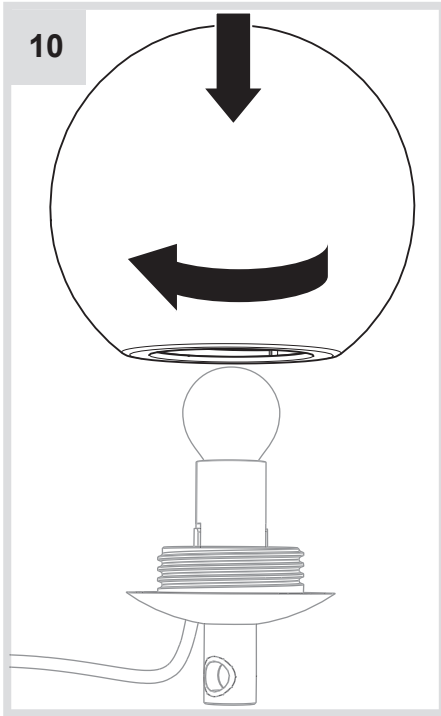
9



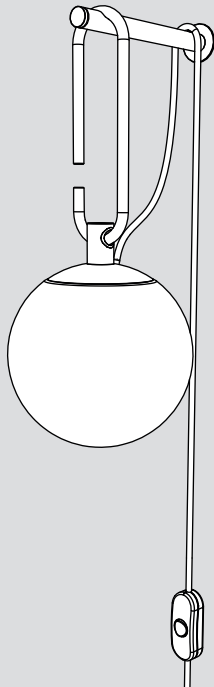
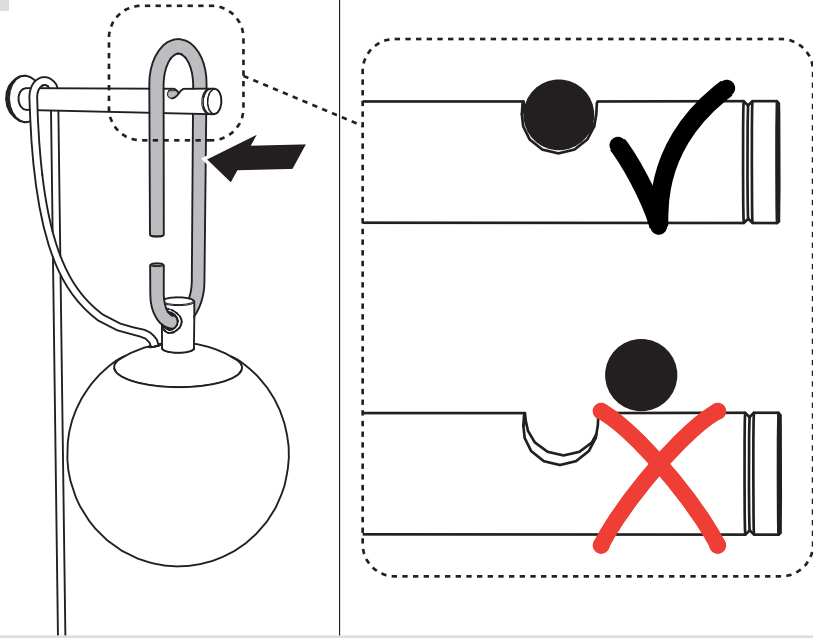
E14 - MAX 5W LED



For USA and Canada only
E12 - MAX 5W cULus LED LAMP

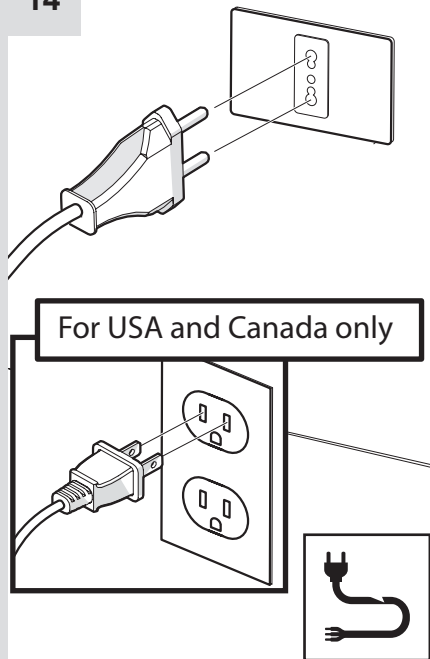


13

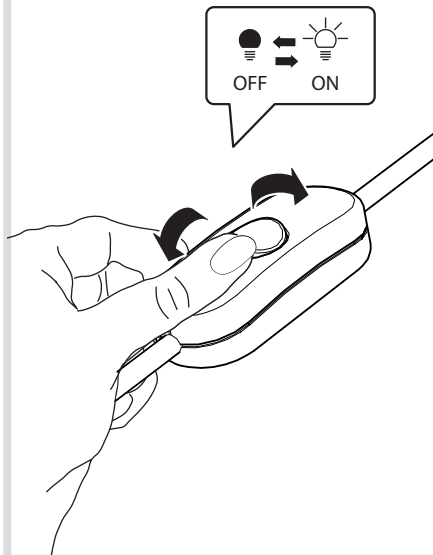




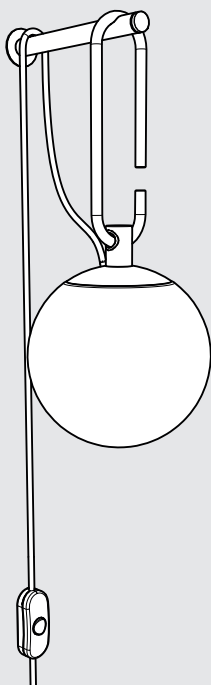
14



i



i



8

9

10

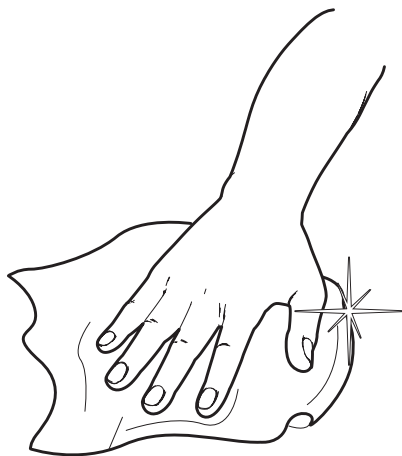
E14 - MAX 5W LED

max 50 mm



max 80 mm

For USA and Canada only
E12 - MAX 5W cULus LED LAMP



Artemide®



Artemide

via Bergamo, 18
20010 Pregnana M.se (MI)
ITALIA

tel. +39 02 935 181
fax +39 02 935 90 254
fax +39 02 935 90 496

www.artemide.com

VAT IT00846890150

Artemide Inc.

250 Karin Lane
Hicksville, NY 11801

Tel. 631 694 9292
Toll Free 1-877-Art-9111
Fax 631 694 9275

www.artemide.net

Artemide Ltée/Ltd.

11105 rue Renaude Lapointe
Montréal, Québec H1J 2T4

Tel. 514 323 6537
Toll Free 888 777 2783
Fax 514 323 8864

www.artemide.net

cod. Y513000954