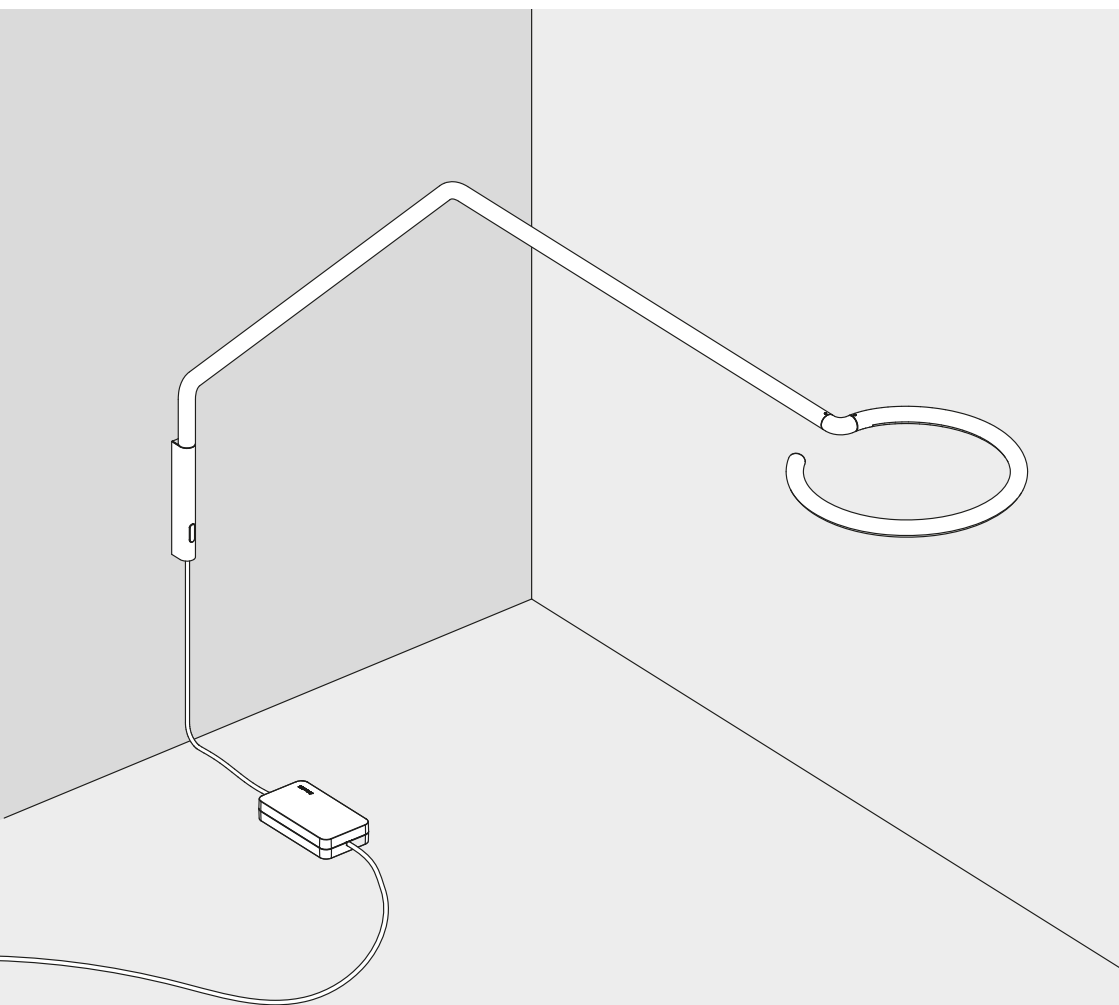


Artemide®

VINE LIGHT WALL L

design
BIG



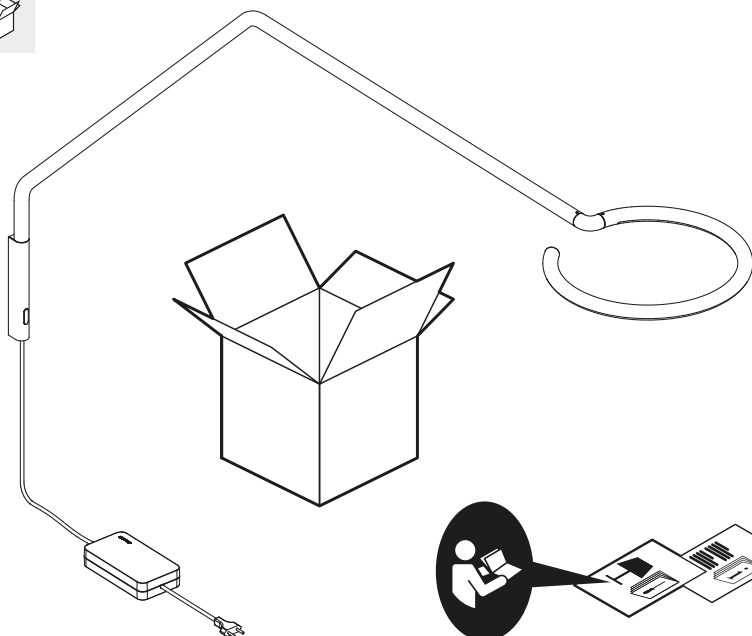


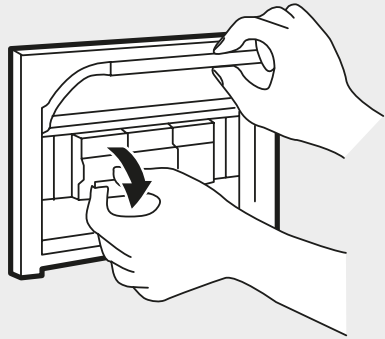
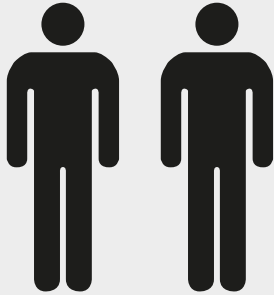
i

GET IT ON
Google Play

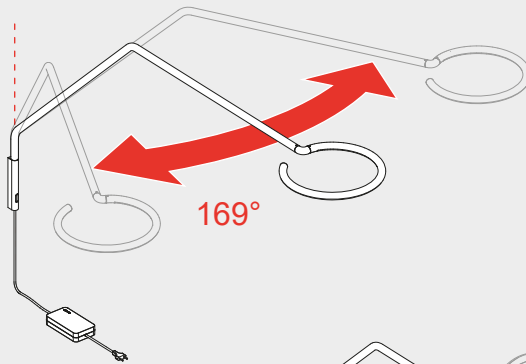
Download on the
App Store

Artemide App
Quick Starting Guide

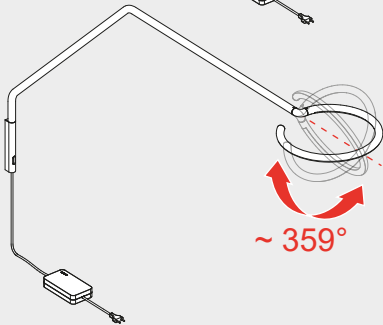




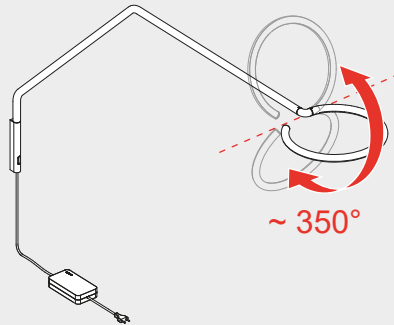
i



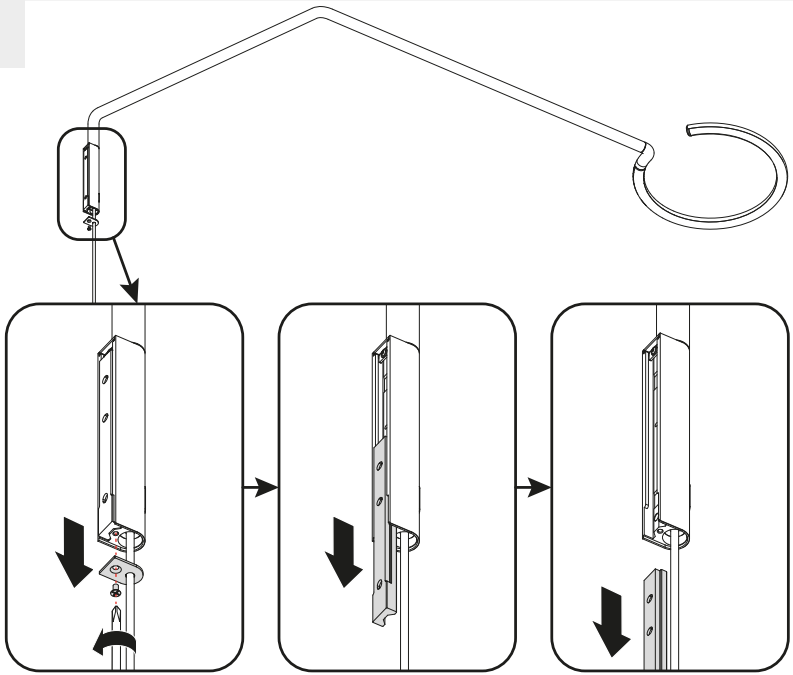
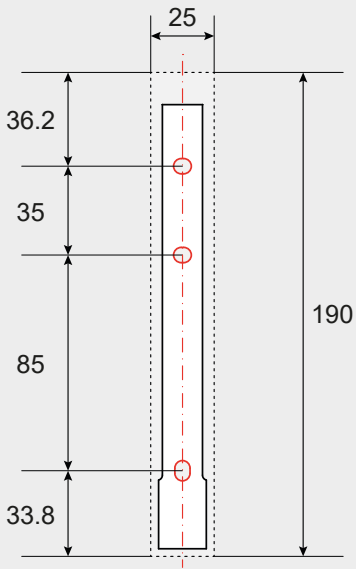
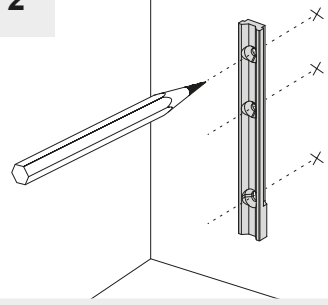
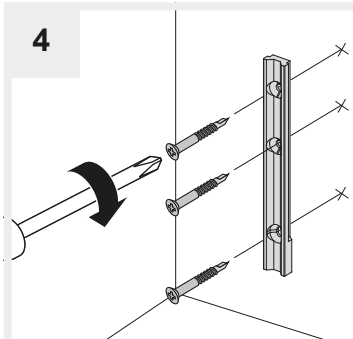
169°



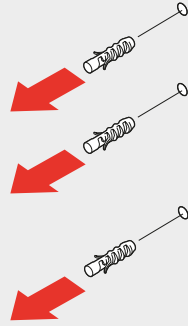
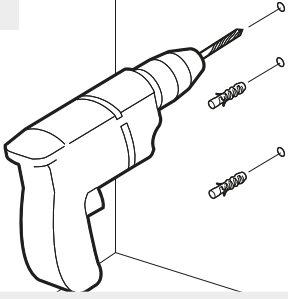
~ 359°



~ 350°

1**i****2****4**

3



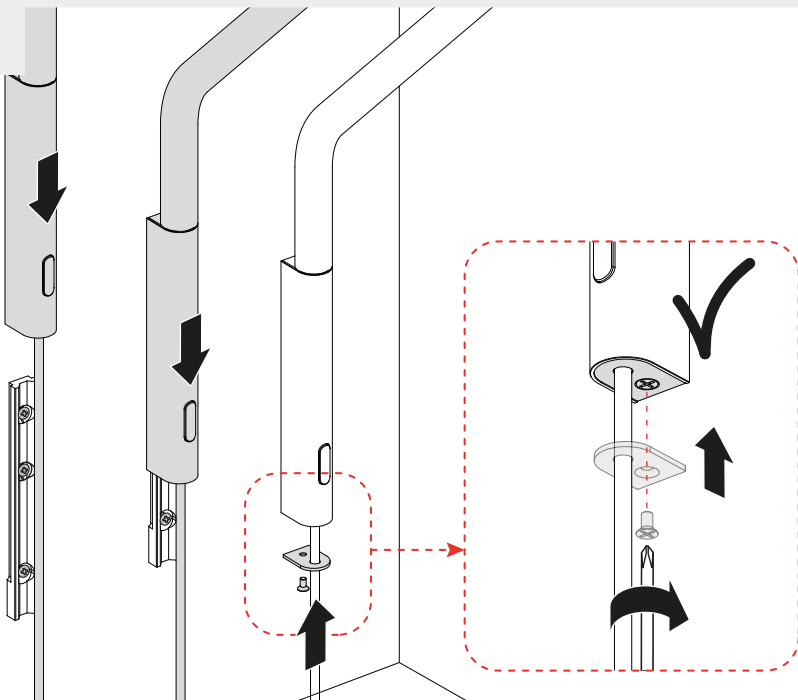
WORLDWIDE

 800 N

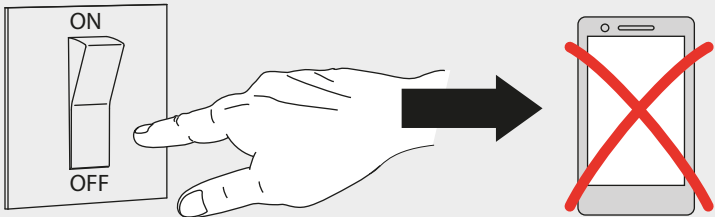
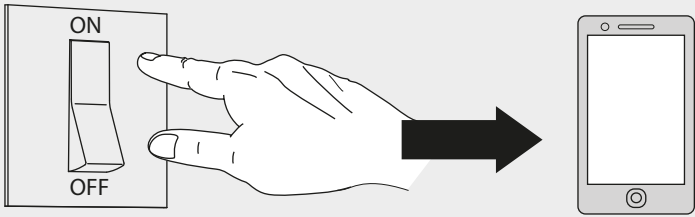
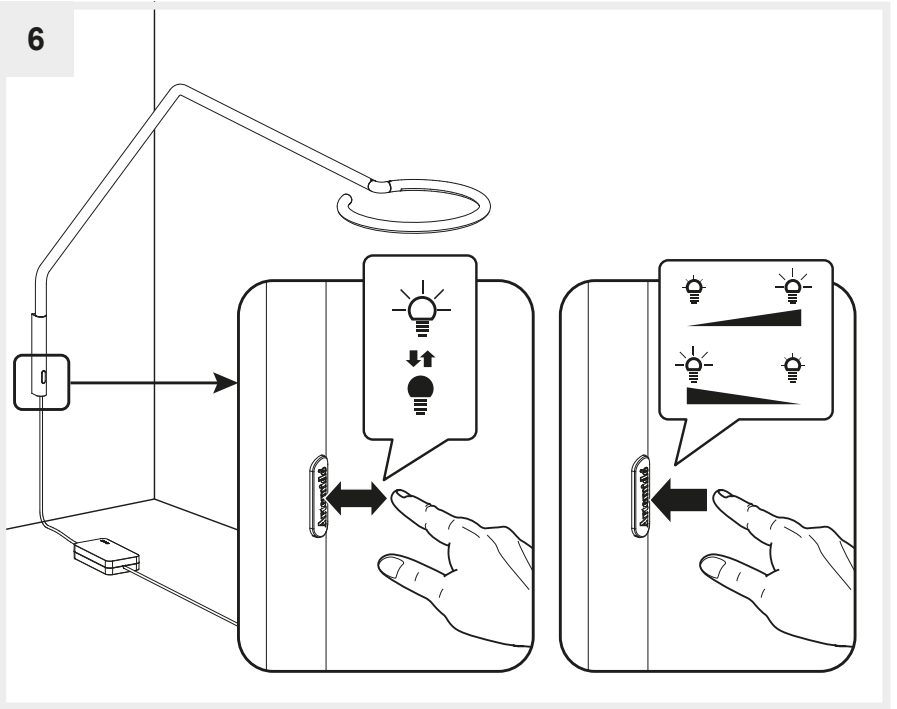
ONLY FOR
USA / CANADA

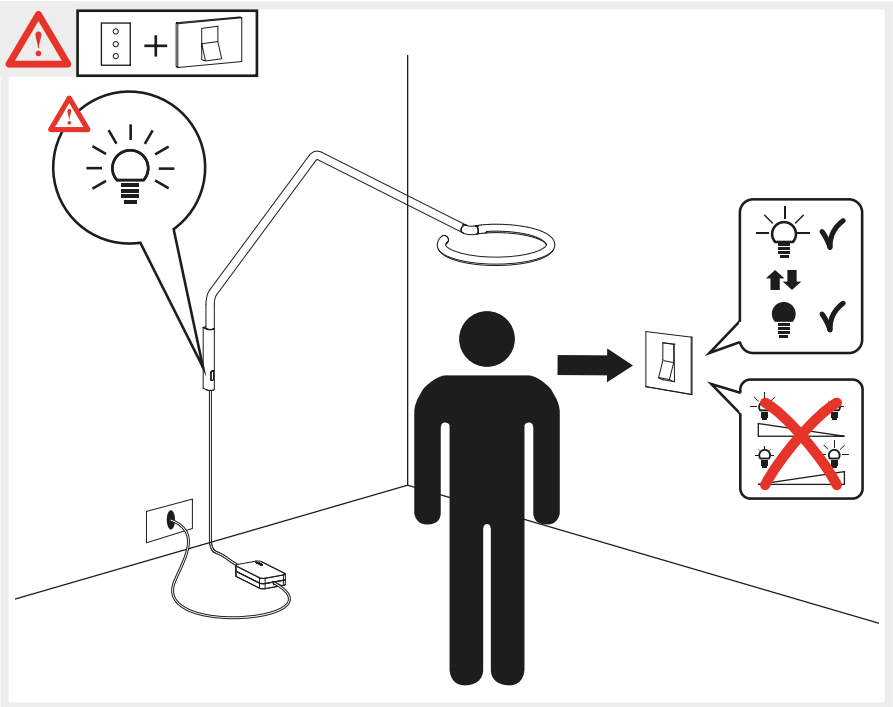
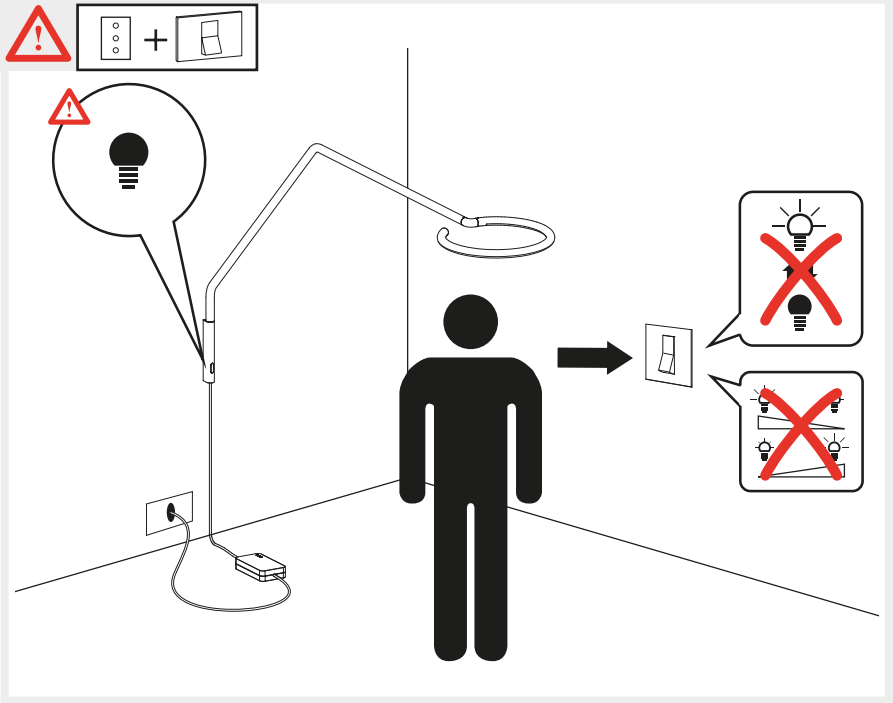
 1000 N

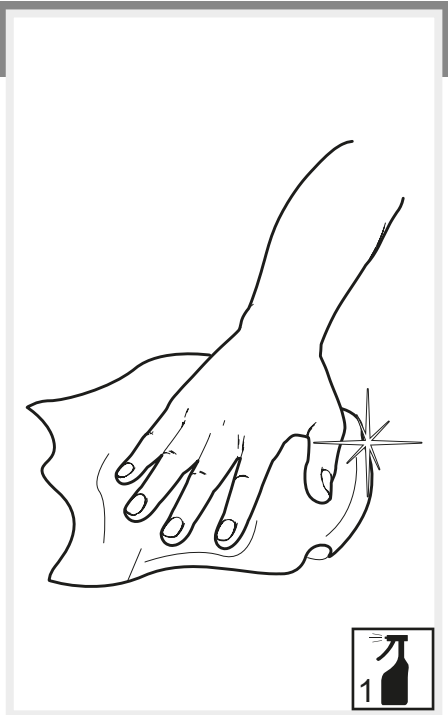
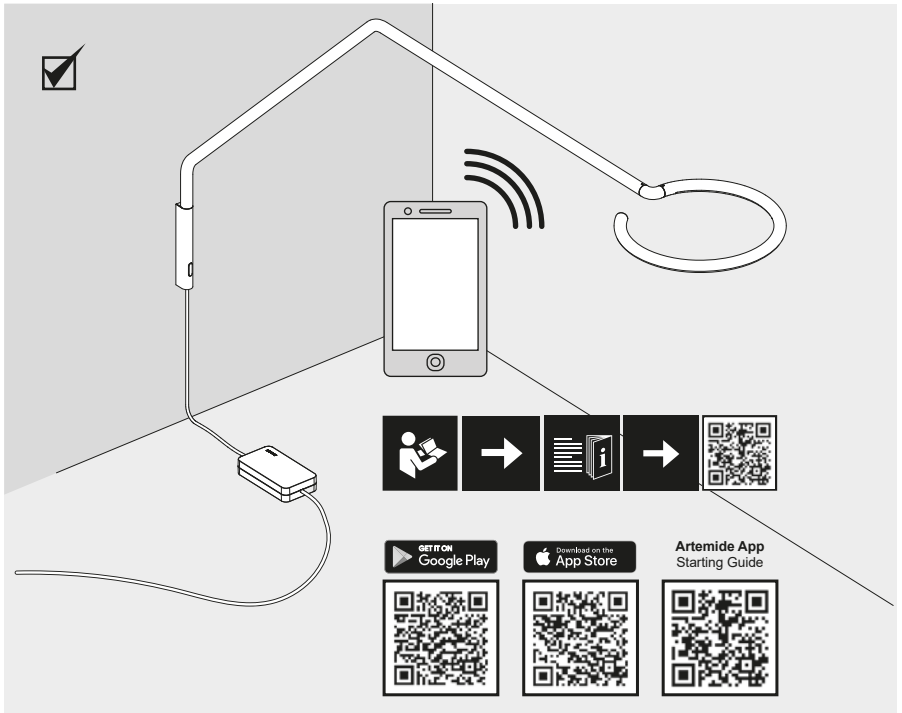
5



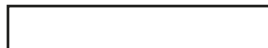
6







Artemide®



Artemide

via Bergamo, 18
20006 Pregnana M.se (MI)
ITALIA

tel. +39 02 935 181
fax +39 02 935 90 254
fax +39 02 935 90 496

www.artemide.com

VAT IT00846890150

Artemide Inc.

250 Karin Lane
Hicksville, NY 11801

tel. 631 694 9292
Toll Free 1-877-Art-9111
Fax 631 694 9275

www.artemide.net

Artemide Ltée/Ltd.

11105 rue Renaude Lapointe
Montréal, Québec H1J 2T4

Tel. 514 323 6537
Toll Free 888 777 2783
Fax 514 323 8864

www.artemide.net

cod. Y513001646