

Stagger 50 & 84 Halo Linear Suspension **700LSSTG50, 700LSSTG84** 1.0

VISUAL COMFORT & Co.

MODERN COLLECTION

GENERAL PRODUCT INFORMATION:

These fixtures are intended to be installed utilizing NEC compliant junction boxes.



This product is suitable for damp locations.

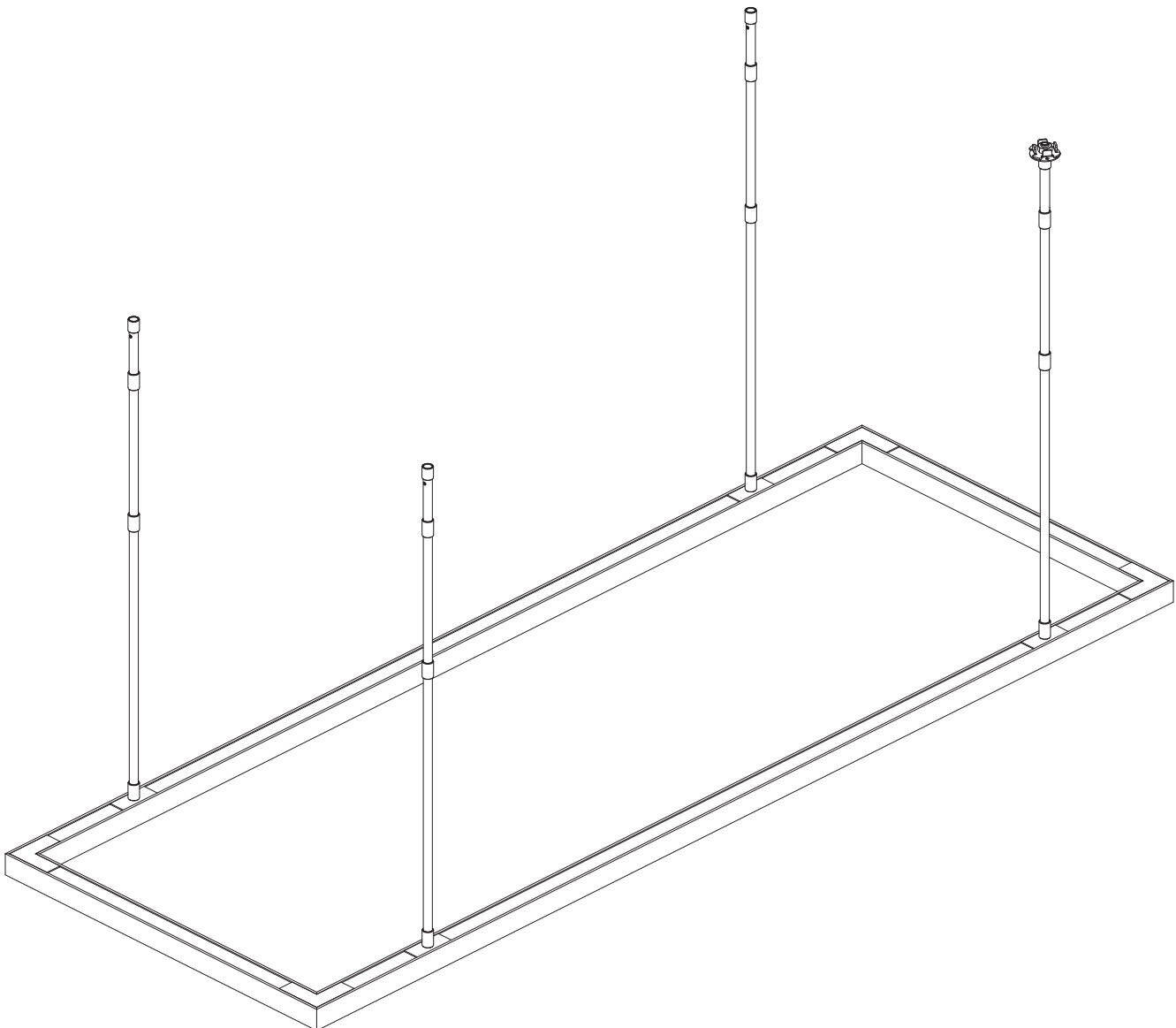
Dimmable with most LED compatible ELV, TRIAC and 0-10V dimmers.

CAUTION - RISK OF FIRE

This product must be installed in accordance with the applicable installation code by a person familiar with the construction and operation of the product and the hazards involved.

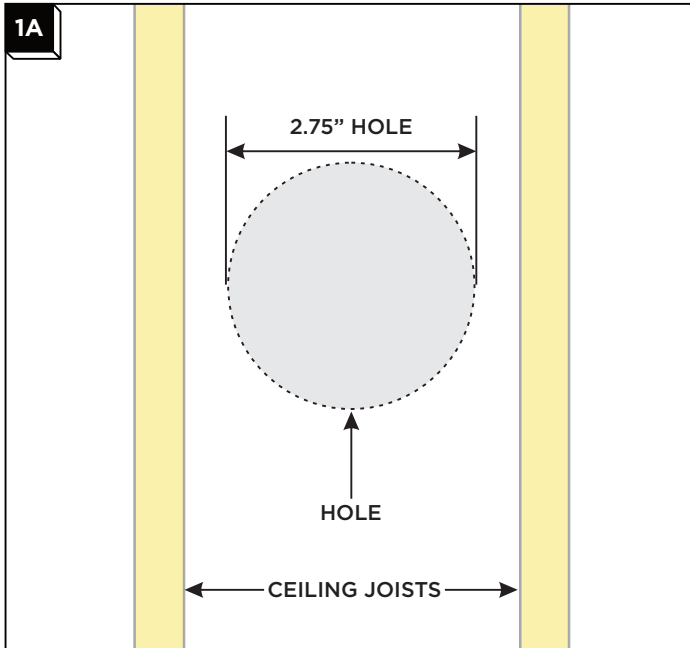
Use minimum 90°C supply conductors.

SAVE THESE INSTRUCTIONS!

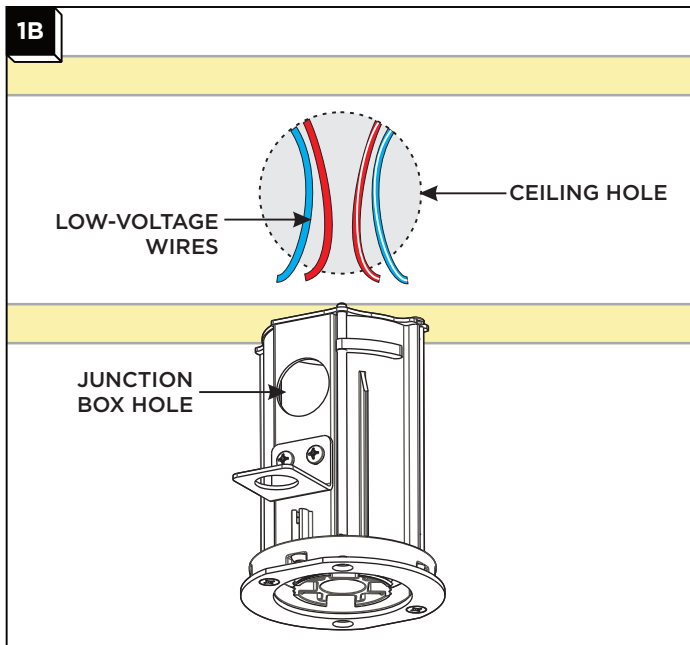


Install the Fixture (Remodel Version)

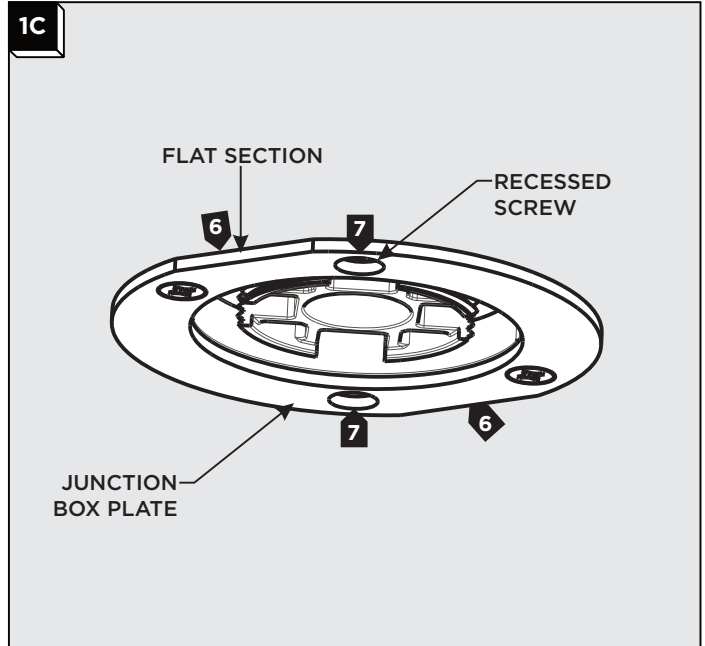
For new construction installation, skip to section 2A.



- 1 Identify a desired mounting location of the fixture that is not directly in front of a ceiling joist.
- 2 Cut a 2.75" hole into the ceiling with a circular saw or other applicable tool, using the supplied template.

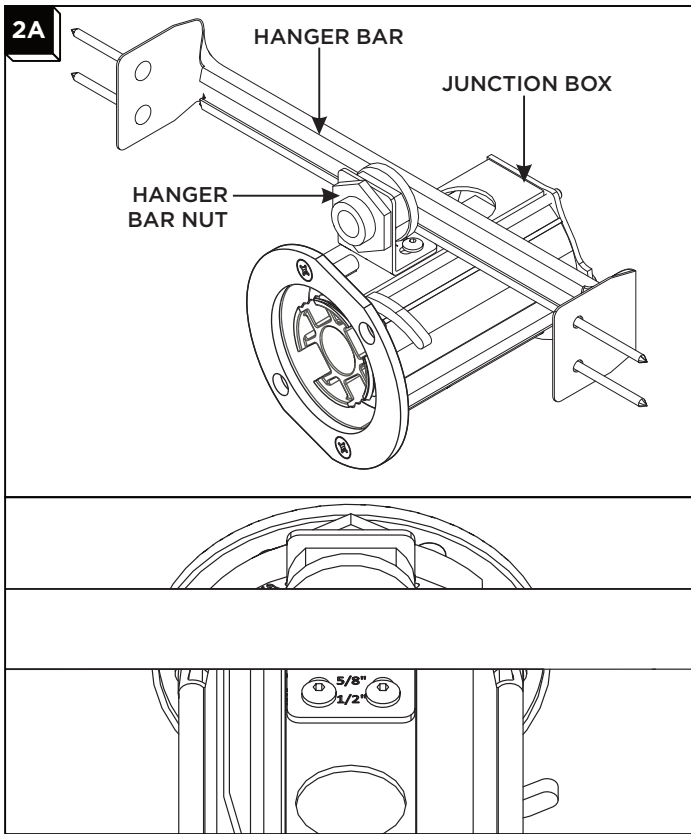


- 3 Use the instructions provided with your remote transformers to connect to power line wires.
- 4 Bring the low-voltage wires from the transformers to the ceiling opening and into the hole on the top of the junction box.

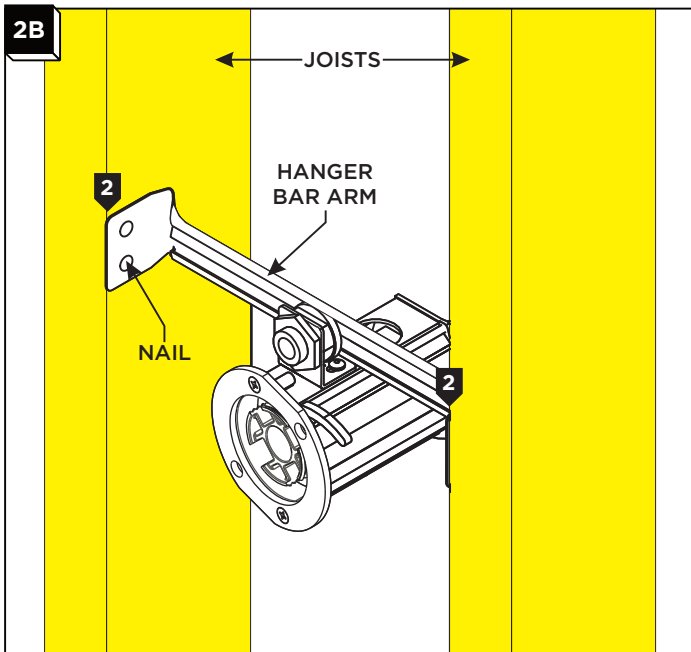


- 5 Insert the junction box into the hole until the junction box plate is flush with the ceiling.
- 6 Verify that the junction box plate is leveled. Use flat sections to ensure the junction box is mounted parallel with the ceiling.
- 7 Using a power screwdriver, turn the two recessed screw heads on the junction box clockwise, one at a time, until you feel that the wall is firmly gripped on the interior side.
- 8 Skip to Section 3A.

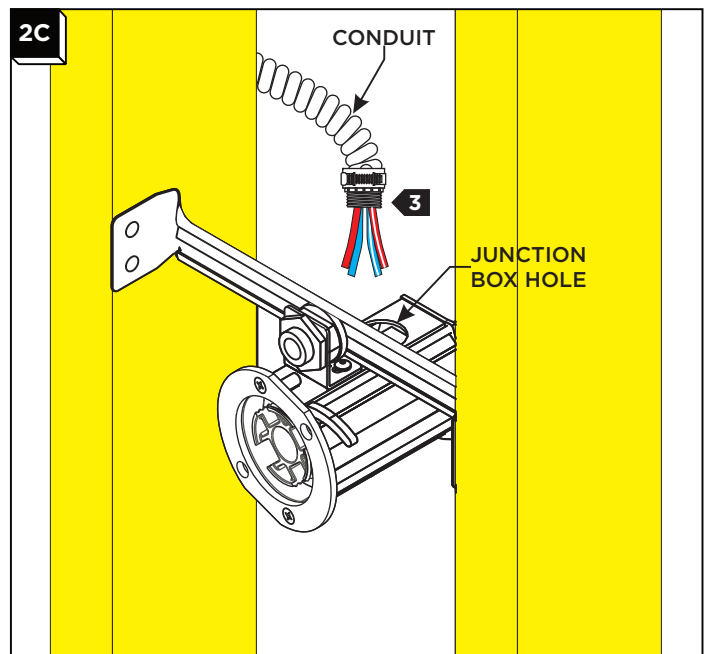
Install the Fixture (New Construction Version)



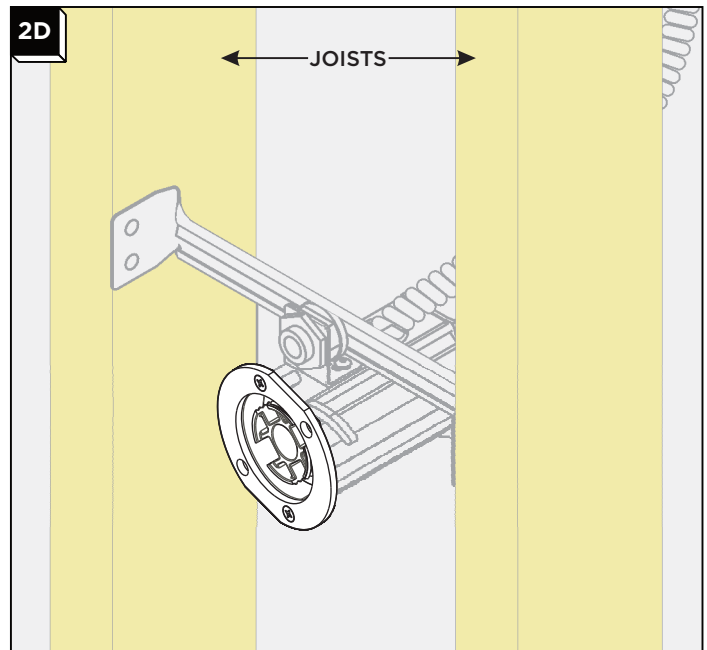
- 1 Use the markings on the bracket according to your wall thickness. Choose between 0.5" or 0.625" thick walls. Place the hanger bar on the bracket and secure the together using the hanger bar nut.



- 2 Extend hanger bar arms to the left and right joists and nail into place.

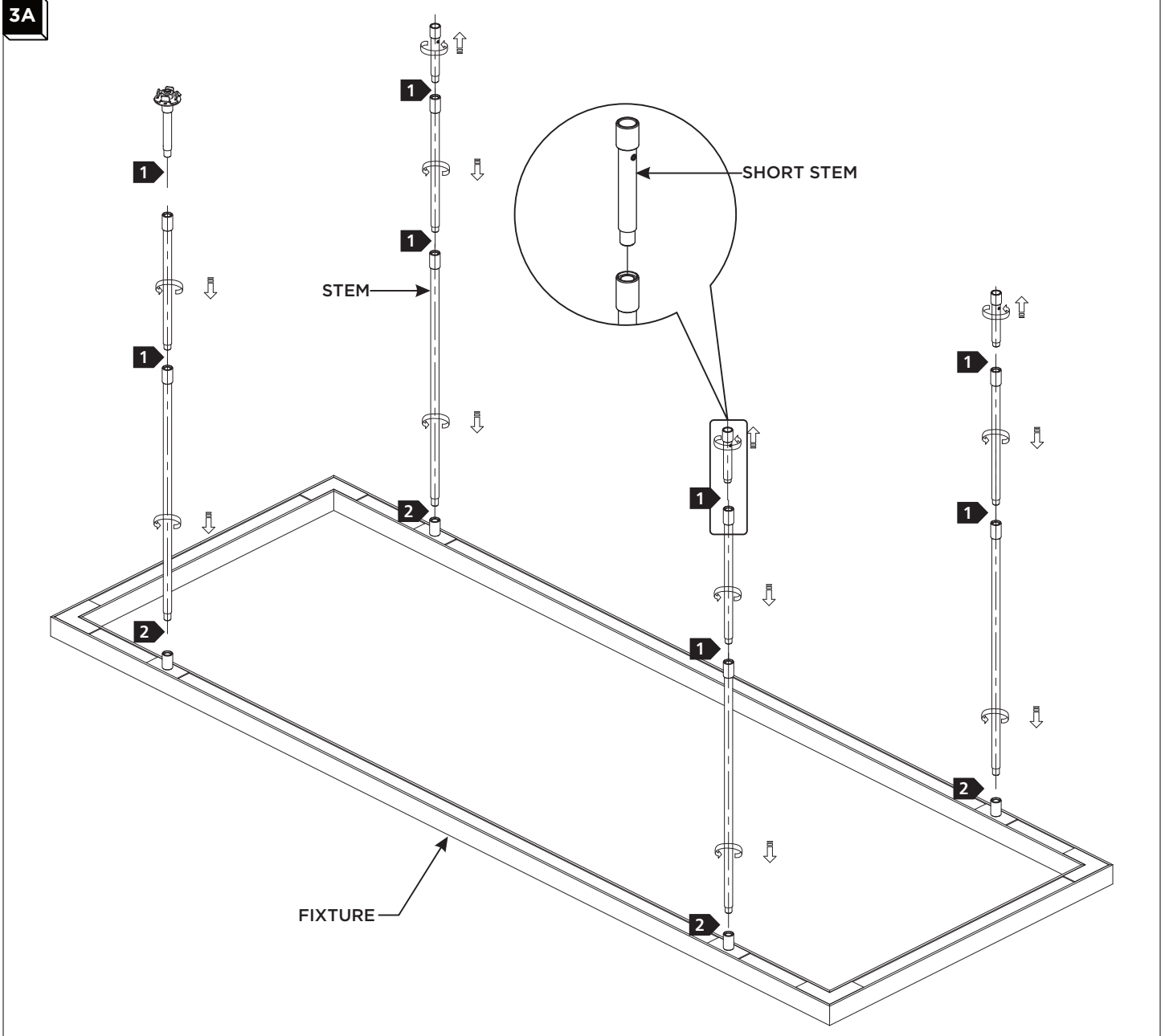


- 3 Attach conduit to either the top hole or the back plate of the junction box. Run low-voltage wires from the transformers into the junction box.



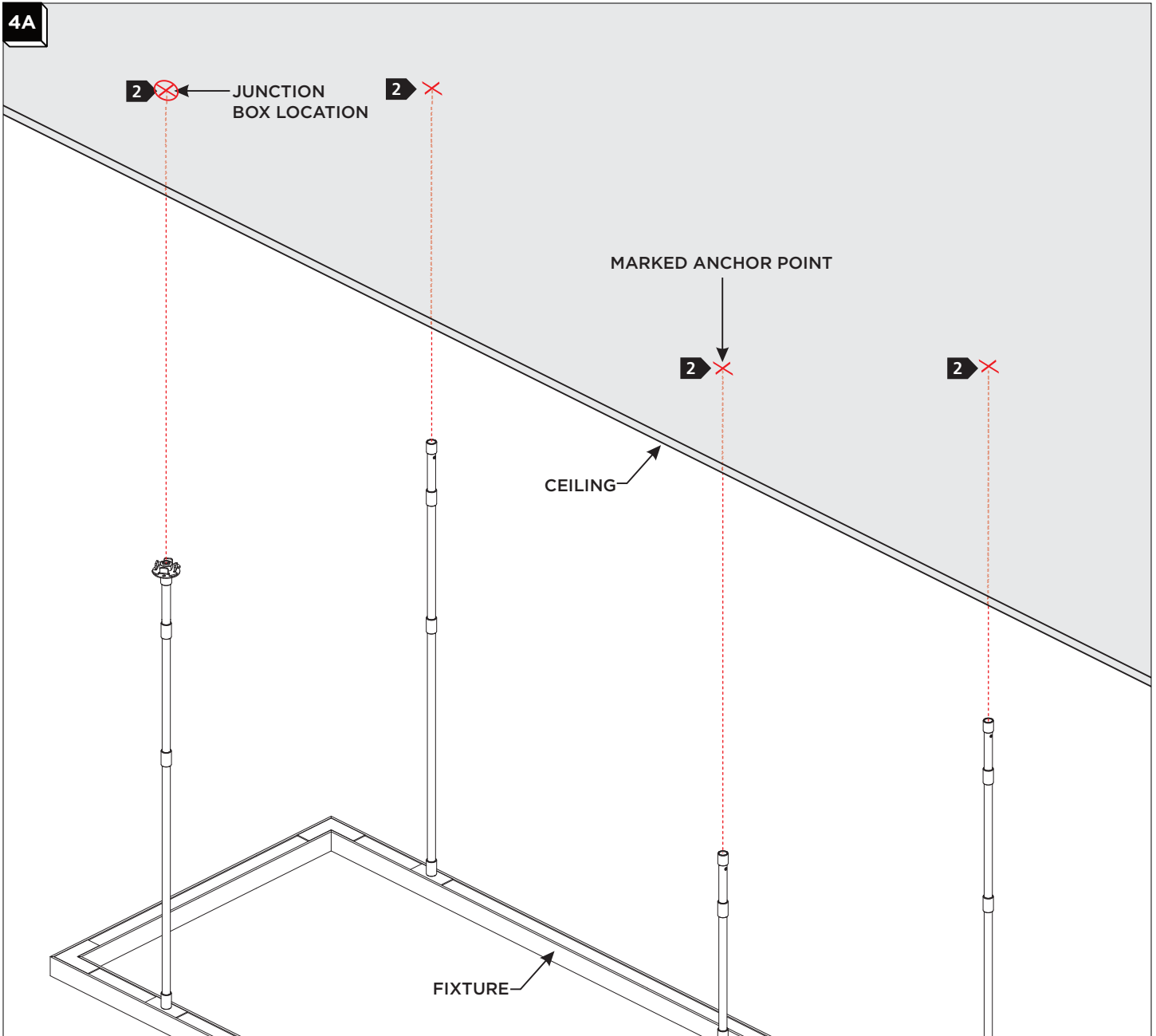
- 4 Cut a 2.75" diameter size hole and install drywall to the joists.

Assemble the Fixture

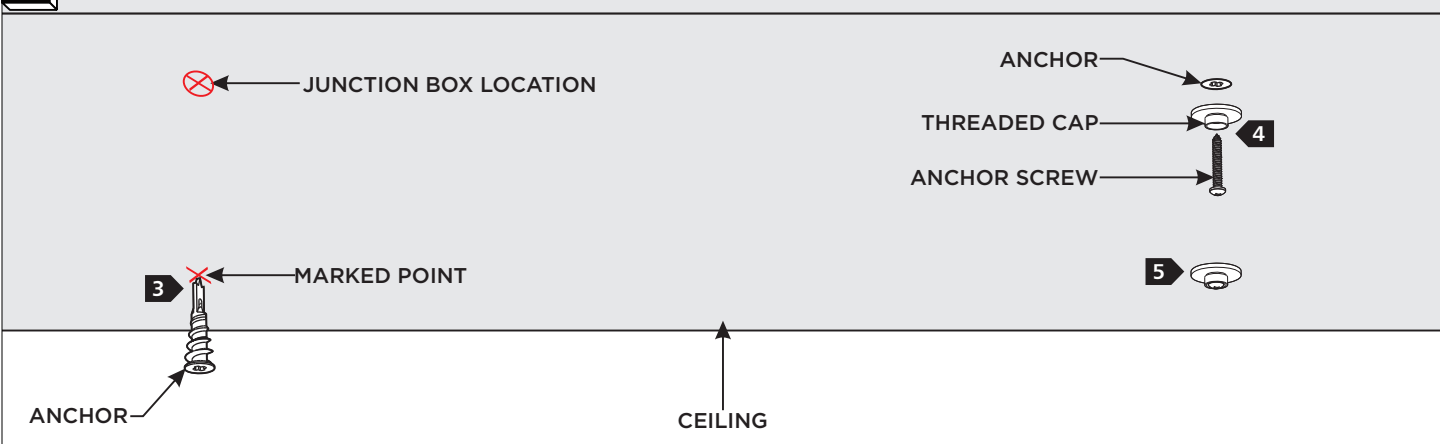


- 1 Determine the desired height of the fixture using the provided stems and assemble four separate sets by screwing them together. **NOTE: The short stems are required for installation.**
- 2 Feed the fixture wires through the stem assemblies and screw them to the top of the fixture.

Install the Standoffs



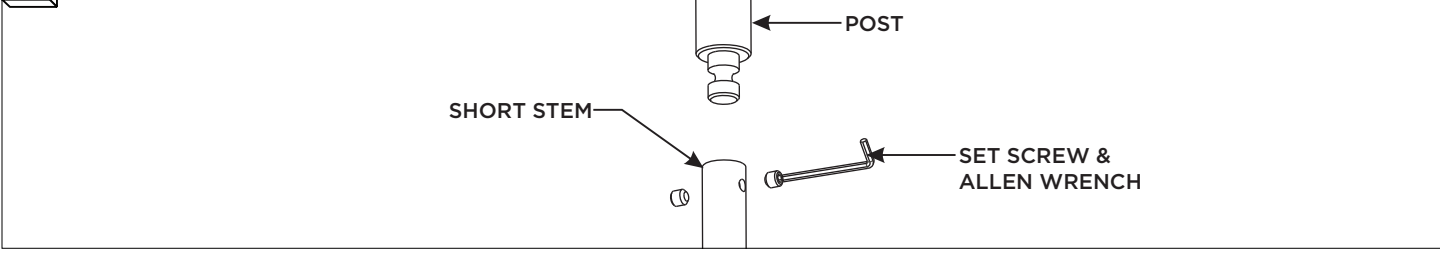
- 1 Place the fixture under the desired mounting surface.
- 2 In relation to the junction box mounting location, use a plum bob or a laser to mark each anchor mounting point to the ceiling.

4B

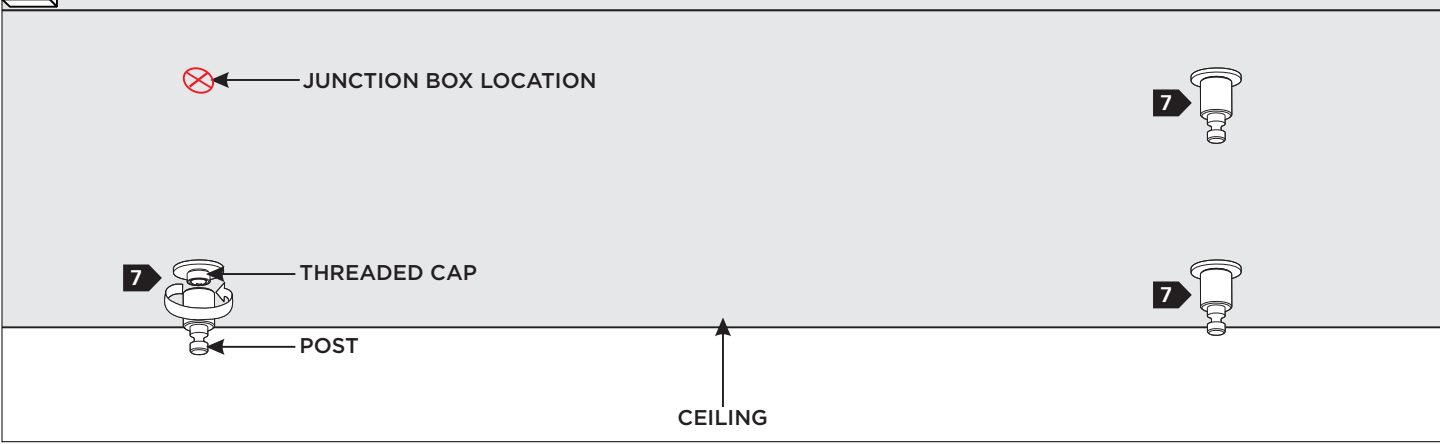
3 Line up an anchor tip with the center of a marked point, and push the anchor into the ceiling up to the threads. Screw the anchor in the rest of the way with a Phillips-head screwdriver. Repeat the other 2 anchor holes.

4 Slide an anchor screw through a threaded cap, and screw it into an anchor.

5 Repeat for remaining marked points.

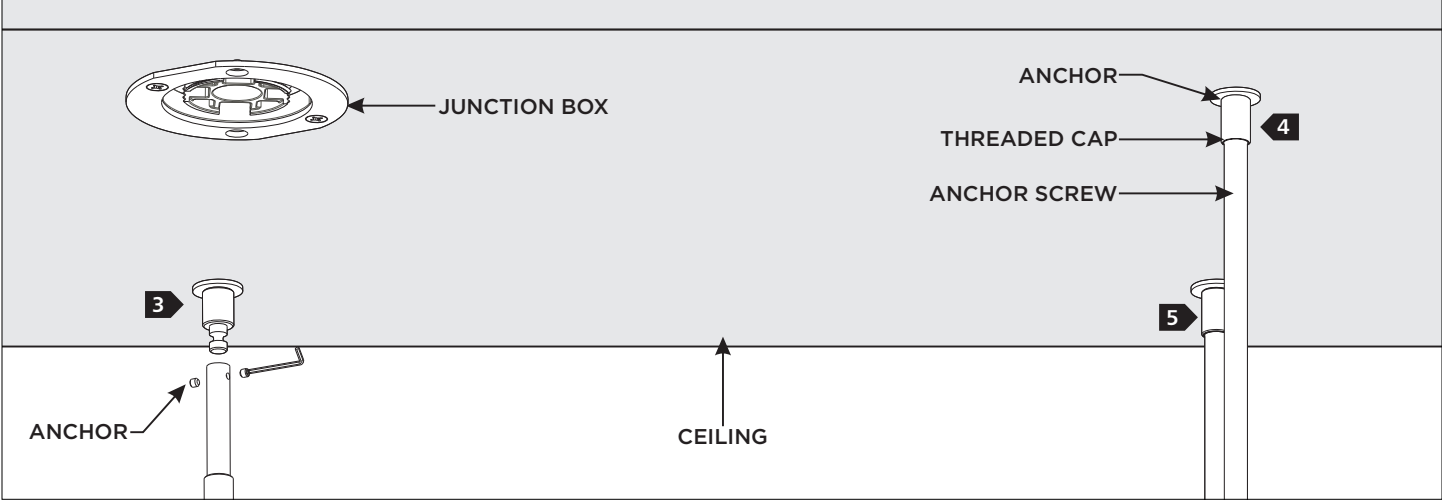
4C

6 Remove the set screws around the short stems and remove the post from each stem. Set the set screws aside for later in the installation.

4D

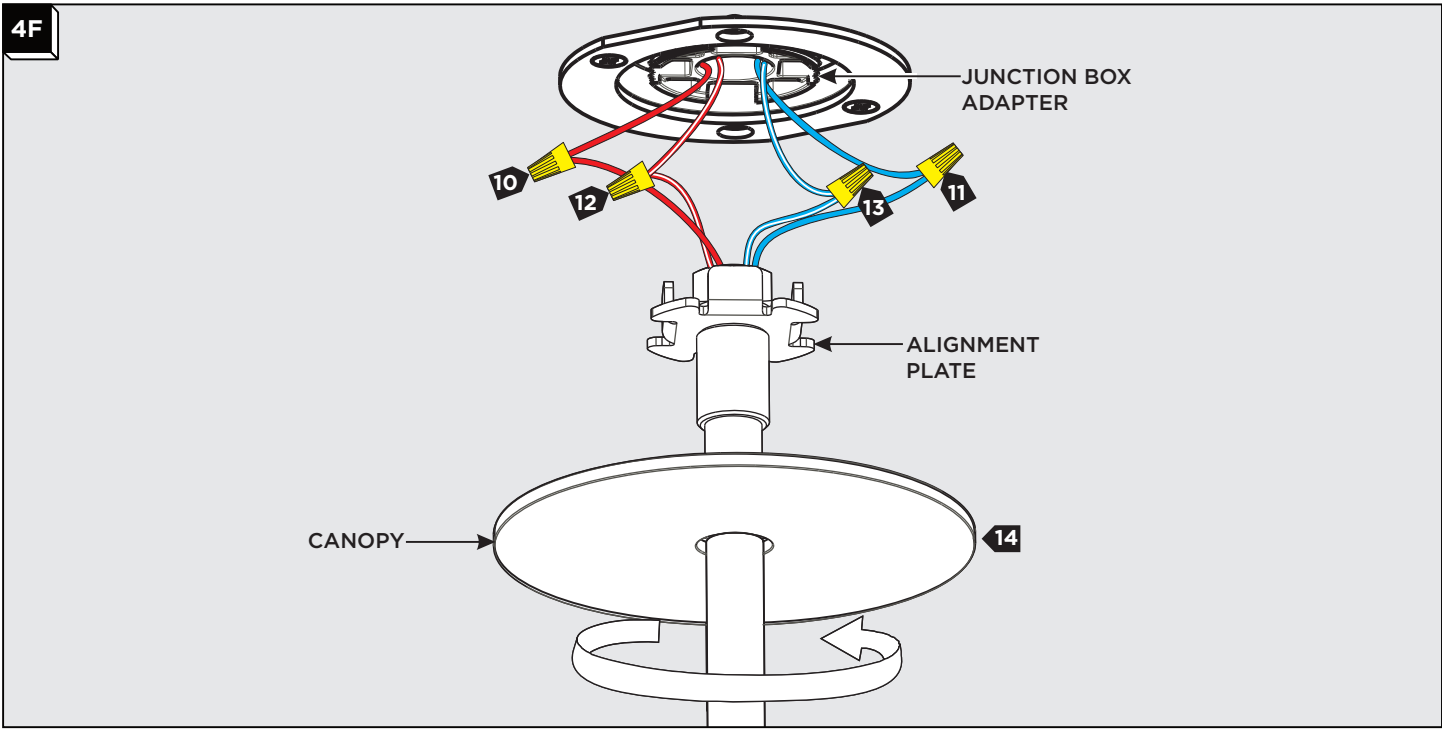
7 Screw the posts to the threaded caps.

4E



- 8 Using the help of another person, raise the stems up to the 3 posts.
- 9 Secure the short stems to the posts by reinstalling the set screws using the provided Allen Wrench.

4F



- 10 Connect the red low-voltage transformer wire to the red low-voltage fixture wires using a wire nut
- 11 Connect the blue low-voltage transformer wire to the blue low-voltage fixture wires using a wire nut.
- 12 Connect the red/white low-voltage transformer wire to the red/white low-voltage fixture wires using a wire nut
- 13 Connect the blue/white low-voltage transformer wire to the blue/white low-voltage fixture wires using a wire nut.
- 14 Neatly tuck the wire connections into the junction box, install the alignment plate to the junction box adapter, and screw the canopy onto the junction box adapter.

VISUAL COMFORT & CO.

7400 Linder Ave., Skokie, IL 60077

T 847.410.4400 | F

847.410.4500

www.visualcomfort.com