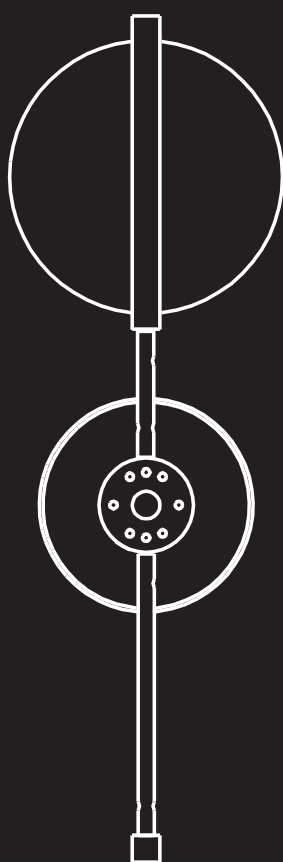


# POLARIS WALL LIGHT

## INSTALLATION INSTRUCTIONS

### 1 OF 4

BARONCELLI ⌘



#### WHAT IS INCLUDED

1. Wall fitting
2. Metal rings with LED
3. Glass
4. End caps, spacers
5. Transformer

#### WHAT YOU WILL NEED

1. Hexkey
2. Screwdriver (3.5mm / 1/8" flat tip) + pliers
4. Soft cloth

#### WEIGHT

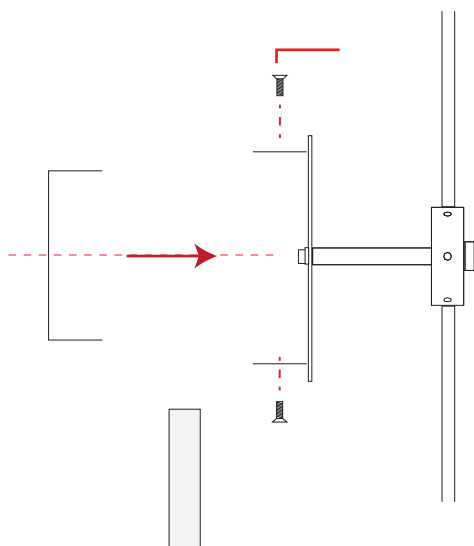
5 kg (11lb)

# POLARIS WALL LIGHT

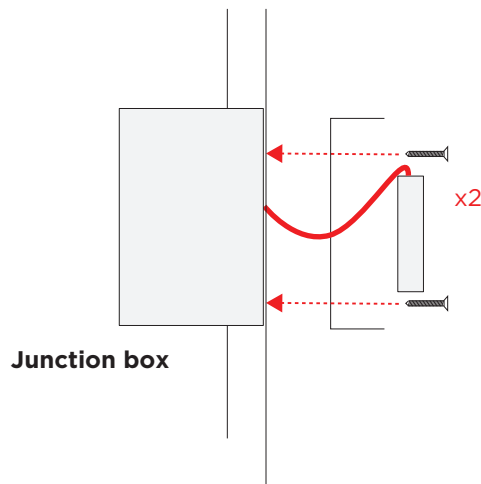
## INSTALLATION INSTRUCTIONS

### 2 OF 4

BARONCELLI ⌘



**STEP 1**  
Remove the side screws.

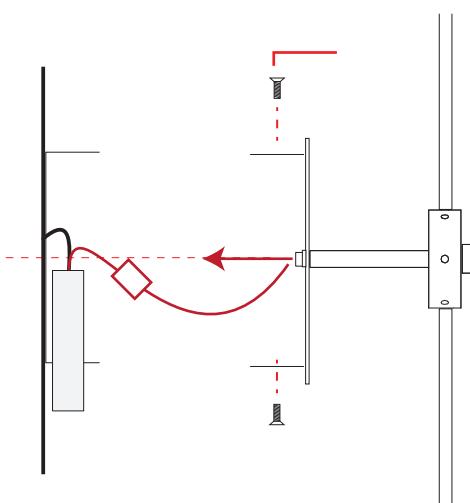


Junction box

**\*ENSURE ANY ELECTRICAL WORK IS CARRIED OUT BY A QUALIFIED ELECTRICIAN\***

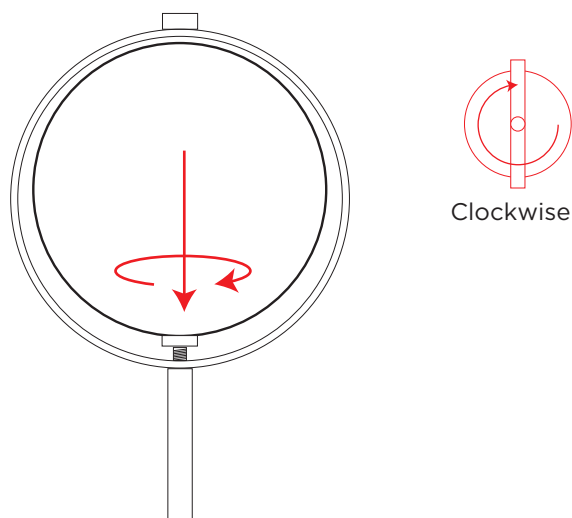
**STEP 2**  
Mount the wall fitting into a suitably secure surface capable of taking the relevant load. Make electrical connection to the transformer.

NOTE: SCREW FIXINGS ARE NOT SUPPLIED



**\*THIS STEP WILL REQUIRE TWO PEOPLE\***

**STEP 3**  
Make electrical connection & secure frame using side screws.



**DO NOT OVERTIGHTEN THE SPHERE**

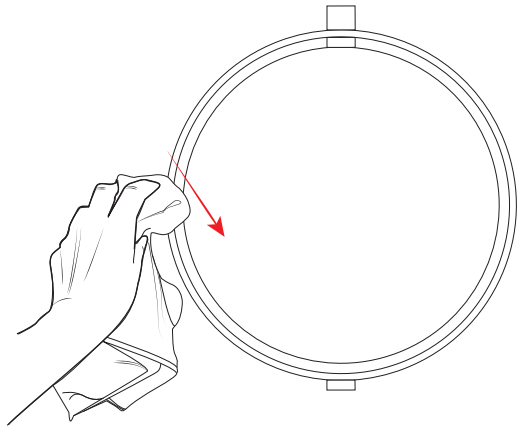
**STEP 4**  
Mount the sphere on to the ring. The sphere must not touch the LED tape throughout the installation to avoid any dirt /oil marks.

# OPERATION AND MAINTENANCE

\*ENSURE ANY ELECTRICAL WORK IS CARRIED OUT BY A QUALIFIED ELECTRICIAN\*

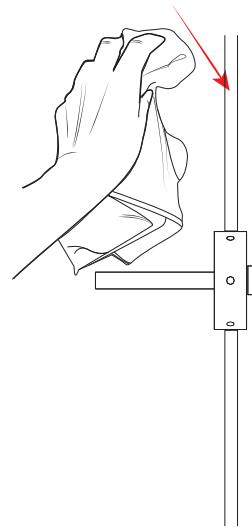
3 OF 4

BARONCELLI ⌘



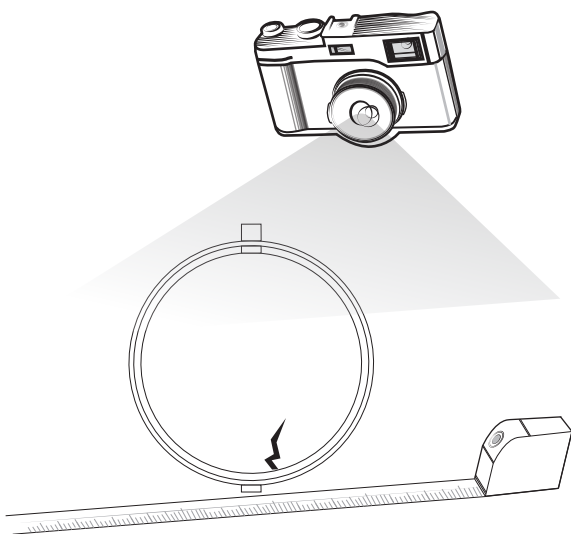
## GLASS CLEANING

Glass elements should be carefully cleaned using a soft cloth and no liquid.



## METAL CLEANING

Carefully clean metal surfaces using a soft cloth and no liquid.



## PHOTOGRAPH THE BREAKAGE

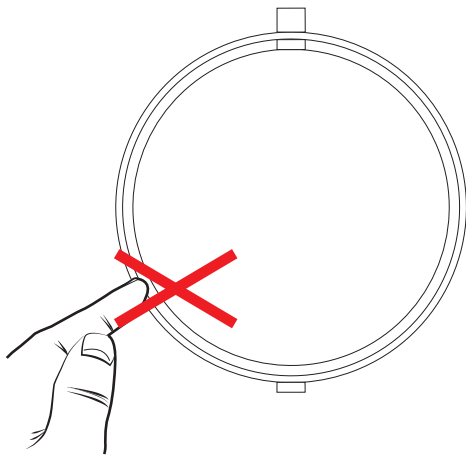
Ensure a clear side on image with a measuring tape along the breakage for scale is taken.

# OPERATION AND MAINTENANCE

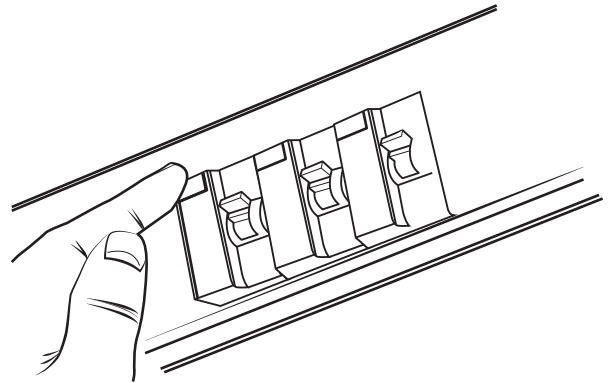
\*ENSURE ANY ELECTRICAL WORK IS CARRIED OUT BY A QUALIFIED ELECTRICIAN\*

4 OF 4

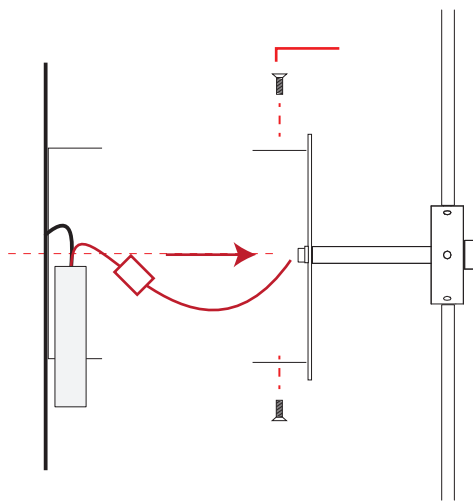
BARONCELLI ⌘



**DO NOT TOUCH LEDS**



**STEP A**  
**TROUBLE SHOOTING - ELECTRICAL FAULTS**  
Check fusebaord



**STEP B**  
**TROUBLE SHOOTING - ELECTRICAL FAULTS**  
Retrace installation steps to access transformer within the wall fixing.