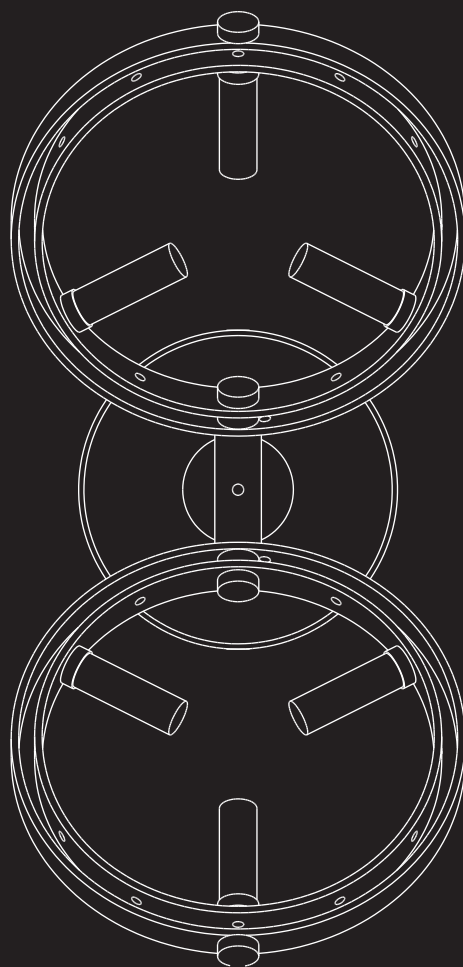


OTTO WALL LIGHT

INSTALLATION INSTRUCTIONS

1 OF 6

BARONCELLI ⌘



WHAT IS INCLUDED

1. Wall fitting
2. Metal rings with LED
3. Glass
4. End caps, spacers & lighting housings
5. Transformer

WHAT YOU WILL NEED

1. Hexkey
2. Screwdriver (3.5mm / 1/8" flat tip) + pliers
4. Soft cloth

WEIGHT

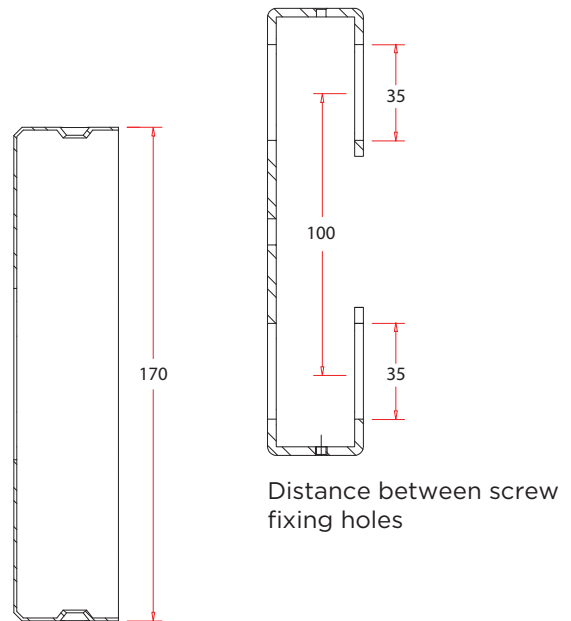
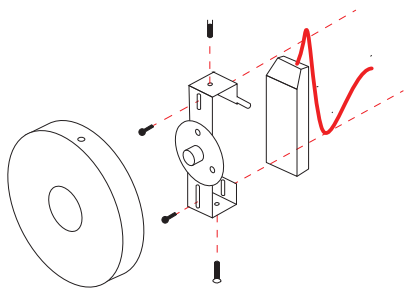
5 kg (11lb)

OTTO WALL LIGHT

INSTALLATION INSTRUCTIONS

2 OF 6

BARONCELLI 

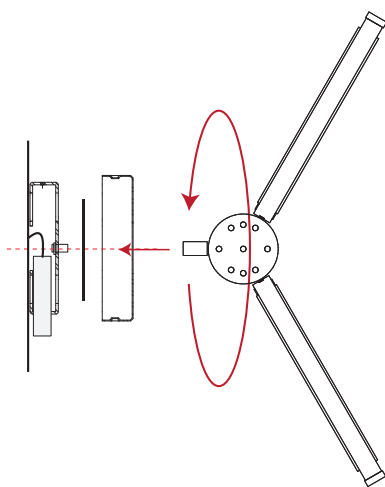


STEP 1

Mount the wall fitting into a suitably secure surface capable of taking the relevant load. Make electrical connection to the transformer.

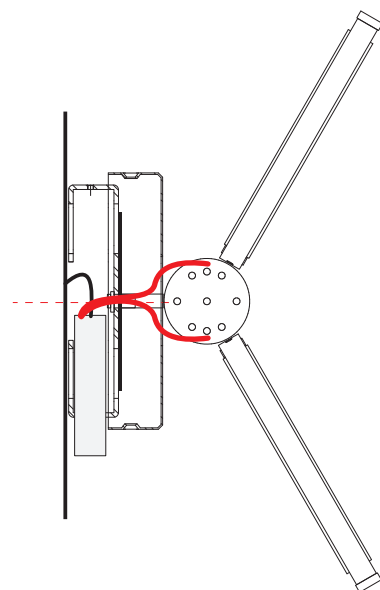
OA diameter of outer case

NOTE: SCREW FIXINGS ARE NOT SUPPLIED



STEP 2

Pass the wall plate cover disc through M10 threaded tube on the wall plate, position the wall plate cover and attach the ring unit (ensure not to secure the wall plate cover with screws at this step).



STEP 3

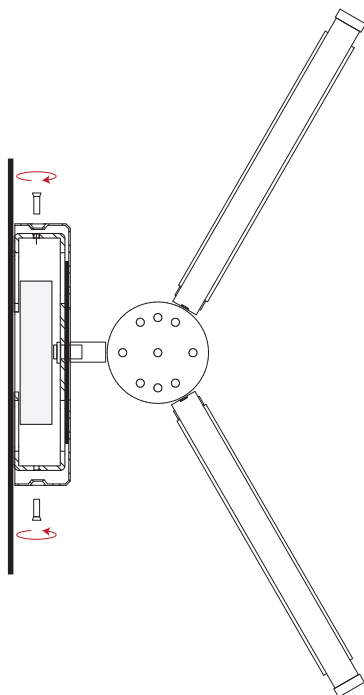
Chase the cable through the stem and connect to the transformer.

OTTO WALL LIGHT

INSTALLATION INSTRUCTIONS

3 OF 6

BARONCELLI 



STEP 4

Test the light.

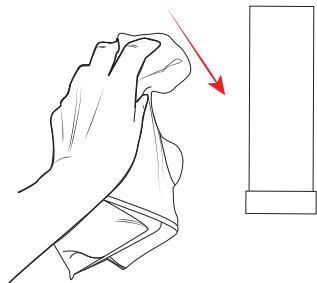
Set the wall plate cover and secure with x2 screws.

OPERATION AND MAINTENANCE

ENSURE ANY ELECTRICAL WORK IS CARRIED OUT BY A QUALIFIED ELECTRICIAN

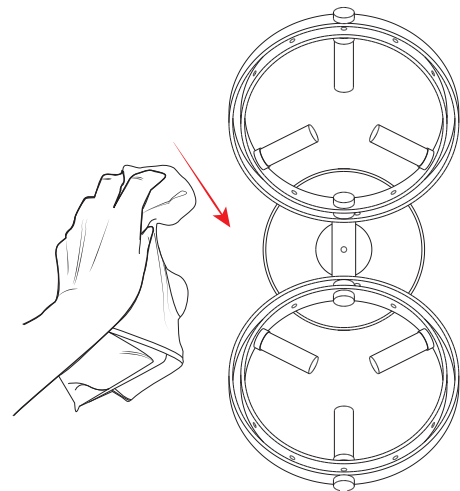
4 OF 6

BARONCELLI ⌘



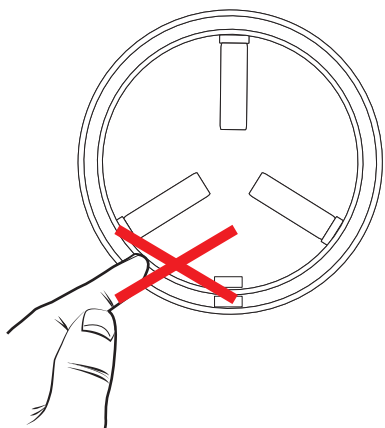
GLASS CLEANING

Glass elements should be carefully cleaned using a soft cloth.



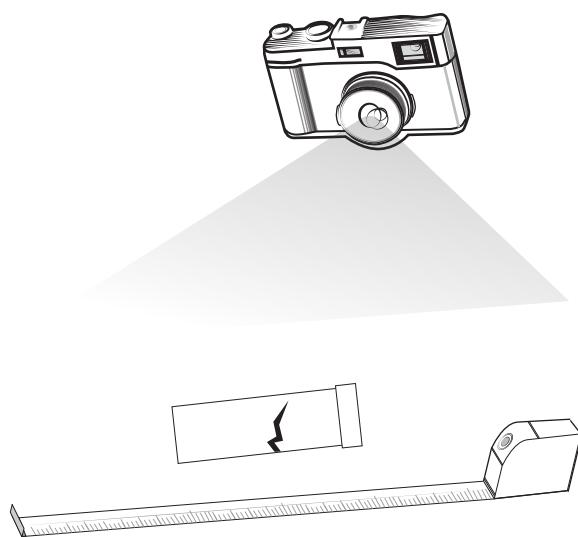
METAL CLEANING

Carefully clean metal surfaces using a soft cloth and no liquid.



DO NOT TOUCH LEDS

MURANO | NEW YORK | LONDON
BARONCELLI.COM



PHOTOGRAPH THE BREAKAGE

Ensure a clear side on image with a measuring tape along the breakage for scale is taken.

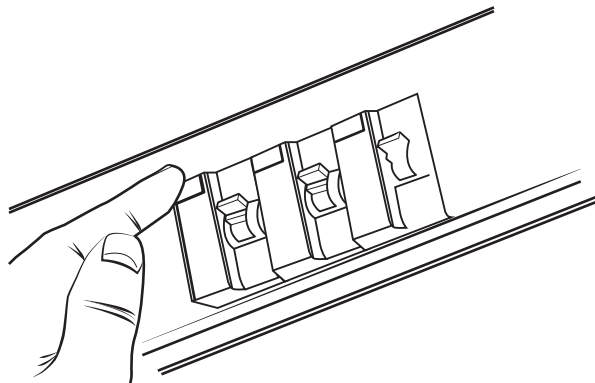
© 2018 BARONCELLI

OPERATION AND MAINTENANCE

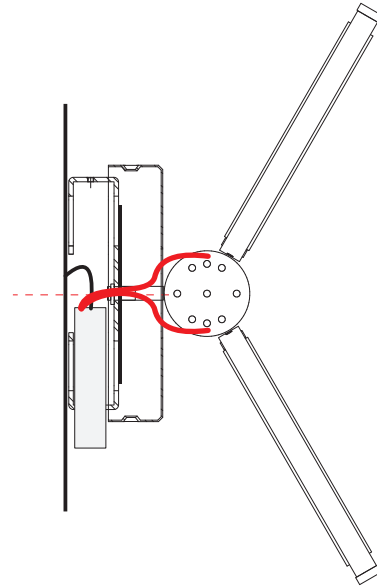
ENSURE ANY ELECTRICAL WORK IS CARRIED OUT BY A QUALIFIED ELECTRICIAN

5 OF 6

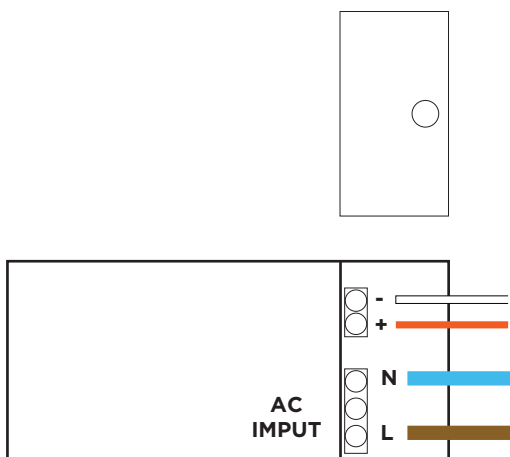
BARONCELLI 



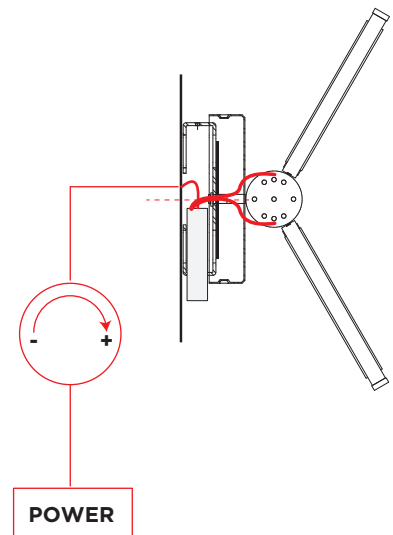
STEP A
TROUBLE SHOOTING - ELECTRICAL FAULTS
Check fuseboard



STEP B1
TROUBLE SHOOTING - ELECTRICAL FAULTS
Remove side screws to access transformer within wall plate.



STEP B2
TROUBLE SHOOTING - ELECTRICAL FAULTS
Ensure all the cables are connected to the LED transformer correctly.



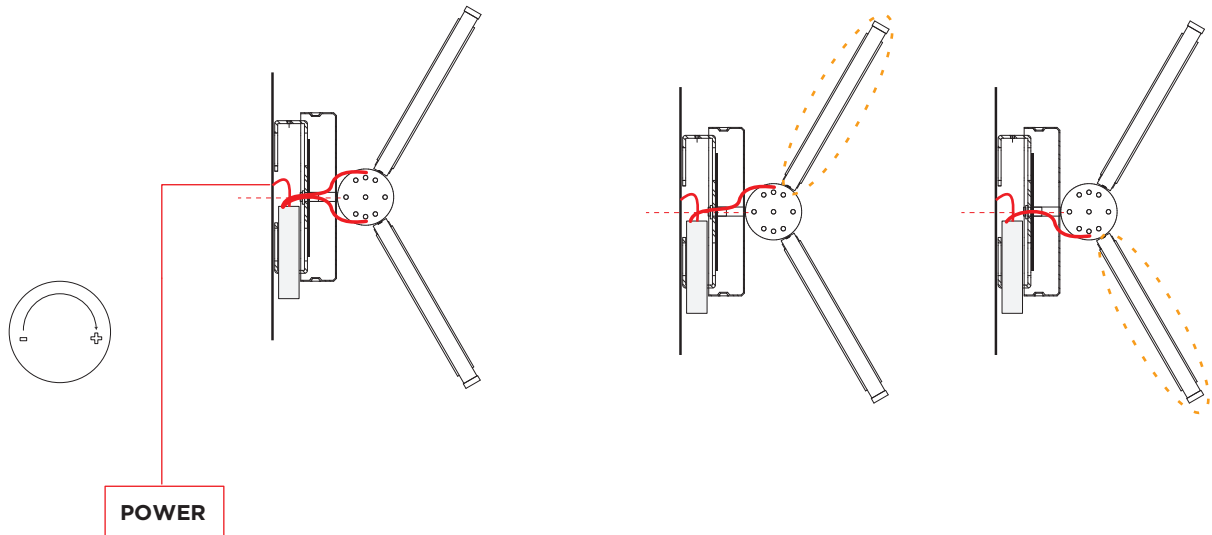
STEP C1
TROUBLE SHOOTING - ELECTRICAL FAULTS
Check the control system for the performance of LED.
Check the highest and the lowest settings.

OPERATION AND MAINTENANCE

ENSURE ANY ELECTRICAL WORK IS CARRIED OUT BY A QUALIFIED ELECTRICIAN

6 OF 6

BARONCELLI 8



STEP C2

TROUBLE SHOOTING - ELECTRICAL FAULTS

Connect the wall light to the main without going through control system and test.

STEP C3

TROUBLE SHOOTING - ELECTRICAL FAULTS

Test the LED circuits individually.