

OCTAVIA SMALL/MEDIUM SCONCE

AKWS34027/AKWS33927

General Product Information



Intertek



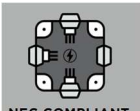
STANDARD  
INSTALLATION



INDOOR



DAMP LOCATION  
SAFE



NEC COMPLIANT  
JUNCTION BOX



CONVERTS TO  
LED



CLEAN WITH SOFT,  
DRY CLOTH ONLY -  
NO HARSH CHEMICALS!



SAVE THESE  
INSTRUCTIONS!



WARRANTY



FCC STATEMENT

Tools Required



PHILLIPS-HEAD  
SCREWDRIVER



FLATHEAD  
SCREWDRIVER

Safety Information

CAUTION-RISK OF FIRE

This product must be installed in accordance with the applicable installation code by a person familiar with the construction and operation of the product and the hazards involved.

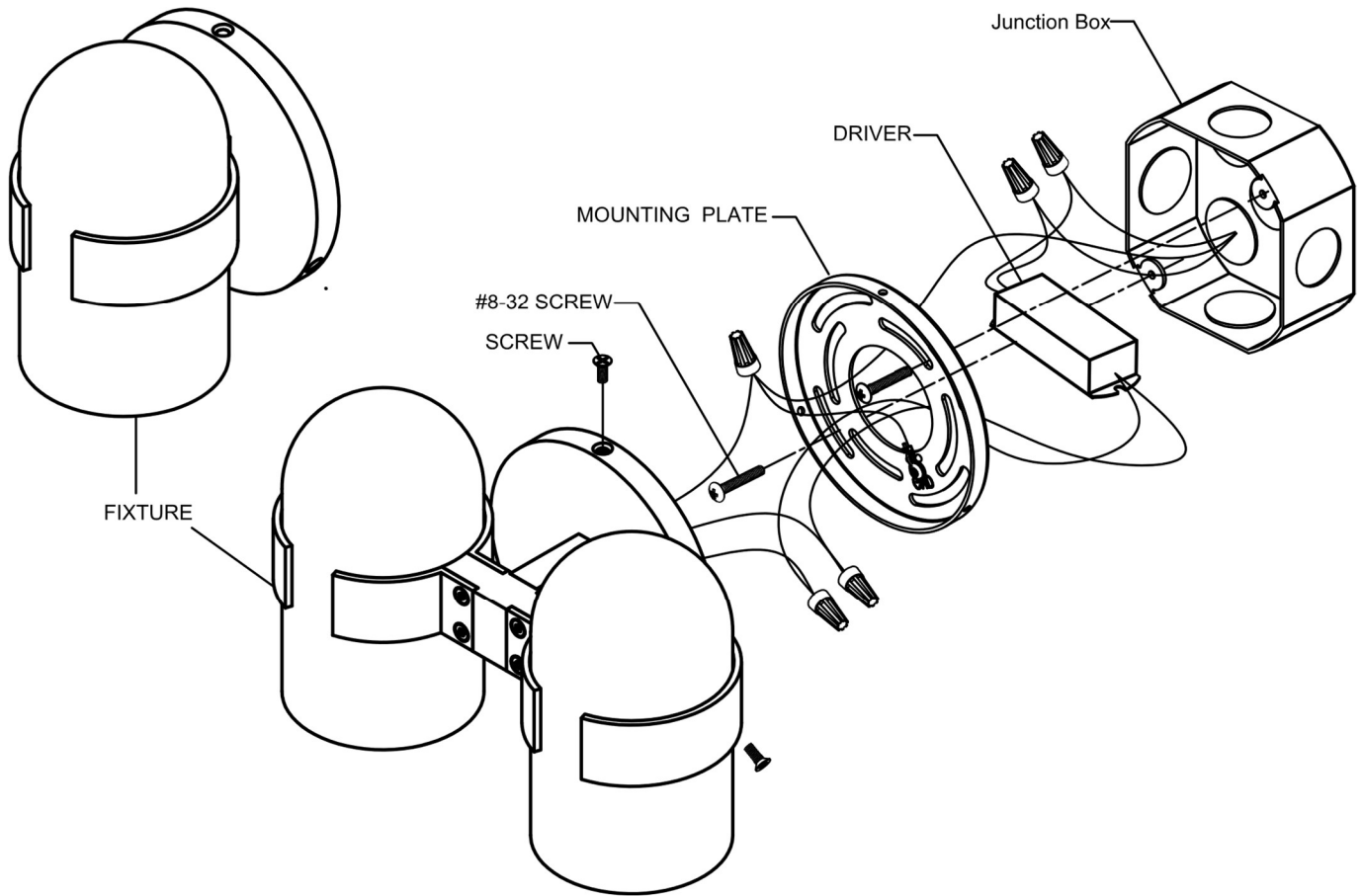
USE MINIMUM 90°C SUPPLY CONDUCTORS.



Turn off electrical current at the source before working with any lighting fixture or portable lamp.

Install and use this product in adherence with local electrical codes and regulations.





## INSTRUCTIONS

### I. Preparing the Fixture

1. Separate the mounting plate from the fixture base by removing the screws from the top and the bottom of the fixture.
2. Connect the LED driver input wires to the supply power wires—120V Connection to LED driver.
  - a) Safety first! Locate the circuit breaker and switch it off to cut off the power supply to the relevant circuits, ensuring that there is no electricity running through the wiring.
  - b) Connect the hot driver wire (black) to the hot power line wire with a wire nut.
  - c) Connect the neutral driver wire (white) to the neutral line wire with a wire nut.
3. Place the driver in the junction box, while ensuring that the driver output wires are accessible.
4. Install the mounting plate to the junction box and secure it using the mounting screws.

### II. Wiring the Fixture

1. In accordance with local electrical codes, connect the fixture ground wire (bare copper or silver wire) to a suitable ground. This may be a green ground screw on the mounting plate, which the ground wire should be tightly wrapped around, or a house wire (green or bare copper wire without insulation).
2. Twist the bare ends of the following pairs of wires together using a wire nut to secure a connection:
  - a) Negative (-) fixture wire to the negative (-) output driver wire (black)--negative to negative.
  - b) Positive (+) fixture wire to the positive (+) output driver wire (red)--positive to positive.
3. Carefully tuck all the wires behind the mounting plate into the junction box.

### III. Installing the Fixture

1. Install the fixture to the mounting plate and secure it in place with the fixture screws.
2. If necessary, tighten the LED bulb.

