

Mist

7545

Round Sconce/Surface
Mount

IMPORTANT

- **Always disconnect the power before installing or replacing Luminaires and before cleaning or other maintenance.**
- **Consult a qualified, licensed electrician to ensure correct branch circuit conductor.**
- ***Consulter un électricien qualifié pour vous assurer que les conducteurs de la dérivation sont adéquats.***

Product Information and Warnings

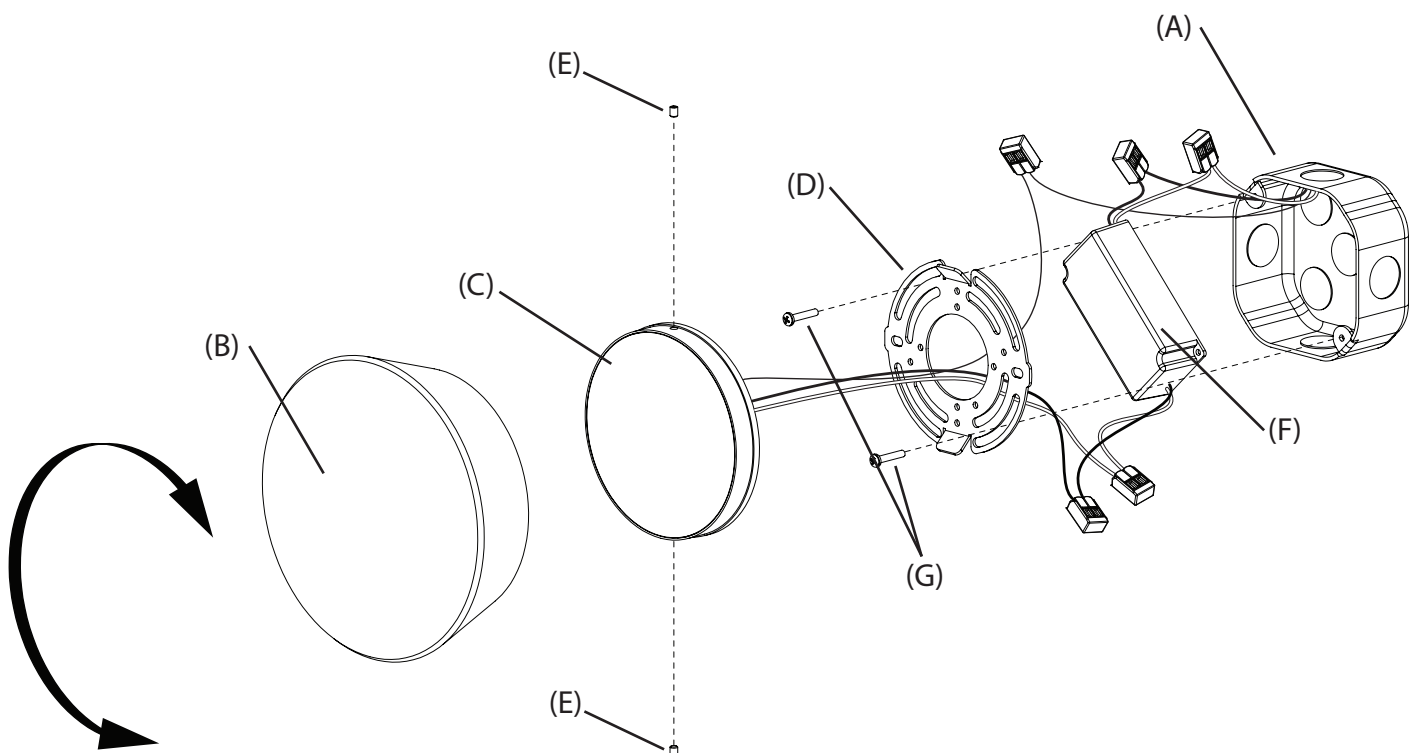
- Please read all included assembly instructions and warnings carefully before installation. Contact Customer Service if you have any questions or concerns. Before installation, please confirm that the fixture is compatible with your supply voltage and dimming system, if present.
- LEDs are highly sensitive electronic devices, and must be treated with care. Do not open any factory sealed compartments, and avoid touching the LEDs with your hands or any object.
- Although all our fixtures are equipped with protective devices, LED electronic systems are vulnerable to power surges and supply variations. Do not install LED fixtures on the same circuit as any motors, appliances, or HVAC systems.
- Do not remove or bypass any LED Driver or Transformer that is provided with the fixture, and do not replace or substitute with another power supply.
- Fixtures must be wired in parallel on independent leads; do not "daisy chain" multiple fixtures together or wire them in series.
- All factory-made splices and connections must remain intact. LED circuits are carefully designed and built, and improper connections may damage the fixture.
- The ends of coaxial pendant cords have been precisely stripped and split at the factory and must not be field cut. Excess cord or cable should be neatly coiled and reserved in the fixture canopy.
- Any mounting hardware is provided for your convenience and should be used with discretion. Always use the appropriate hardware for the mounting surface.

Assembly Instructions

Instructions D'Installation

SONNEMAN®
A WAY OF LIGHT

- Note: This fixture may be installed on either wall or ceiling. The installation process is the same in both conditions.**
- Shut off power to the outlet box (A).
- Remove the glass diffuser (B) by unscrewing it from the main fixture body (C). Remove the mounting plate (D) from the main fixture body by loosening the two set screws (E).
- Make appropriate electrical connections to the power supply (F) using the included clamp nuts:
 - Connect the power supply's live wire to the live supply wire.
 - Connect the power supply's neutral wire to the neutral supply wire.
 - Connect the fixture's ground wire (green or uncoated) to the ground supply wire. If no ground wire is present in the outlet box, connect the fixture's ground wire to the mounting plate (D) using the green screw (included).
- Carefully fit the power supply, electrical connections, and excess wire into the outlet box.
- Attach the mounting plate (D) to the outlet box (A) using the included outlet box screws (G).
- Fit the main fixture body (C) over the mounting plate (D) and secure it by tightening the two set screws (E).
- Attach the glass diffuser (B) by screwing it onto the main fixture body (C).
- Restore power to the outlet box.



Note:

- This fixture is dimmable with Electronic Low Voltage (Trailing-Edge) type dimmers, Incandescent (Leading-Edge) type dimmers, and 0-10V type dimmers only.**

Care Instructions:

Use a clean, dry cloth when dusting. To protect the finish, avoid any harsh abrasives or chemicals.