

F1007/F1009

ASSEMBLING, USE AND CONSERVATION  
INSTRUCTIONS - USA & CANADA

COLLECTION: Flow  
APPLICATION: Side Table  
DESCRIPTION: Accord Flow Table F1007/F1009  
MATERIALS: Natural wood veneer, MDF, carbon steel.

Read carefully all the instructions for the removal of the package and for the correct assembling, use and application:

ASSEMBLING THE TABLE

- 01 Remove the protecting package from the pieces taking care to not harm any parts with cutting surfaces or objects such as knives, scissors or cutters.
- 02 Once the packaging has been removed, lay the parts in a horizontal surface, if needed, use the protecting package to soften the surfaces and protect the parts from getting harmed. The eventual displacement and accommodation of the table must be done by more than one person according to the size and weight of the model, in order to avoid possible falls or damages.
- 03 Fit, one by one, the three metallic legs in the basket, through its side gaps.
- 04 After the legs are fitted, fasten the provided screws (S1) in the metallic support's holes, fixing the legs on the basket.
- 05 With the legs already fixed to the basket, fit the tabletop through the three side gaps.
- 06 With the tabletop perfectly fitted and touching the superior face of the three metallic supports, fasten the provided screws (S1) to fix the tabletop permanently.

Your table is ready for use!

USER GUIDE

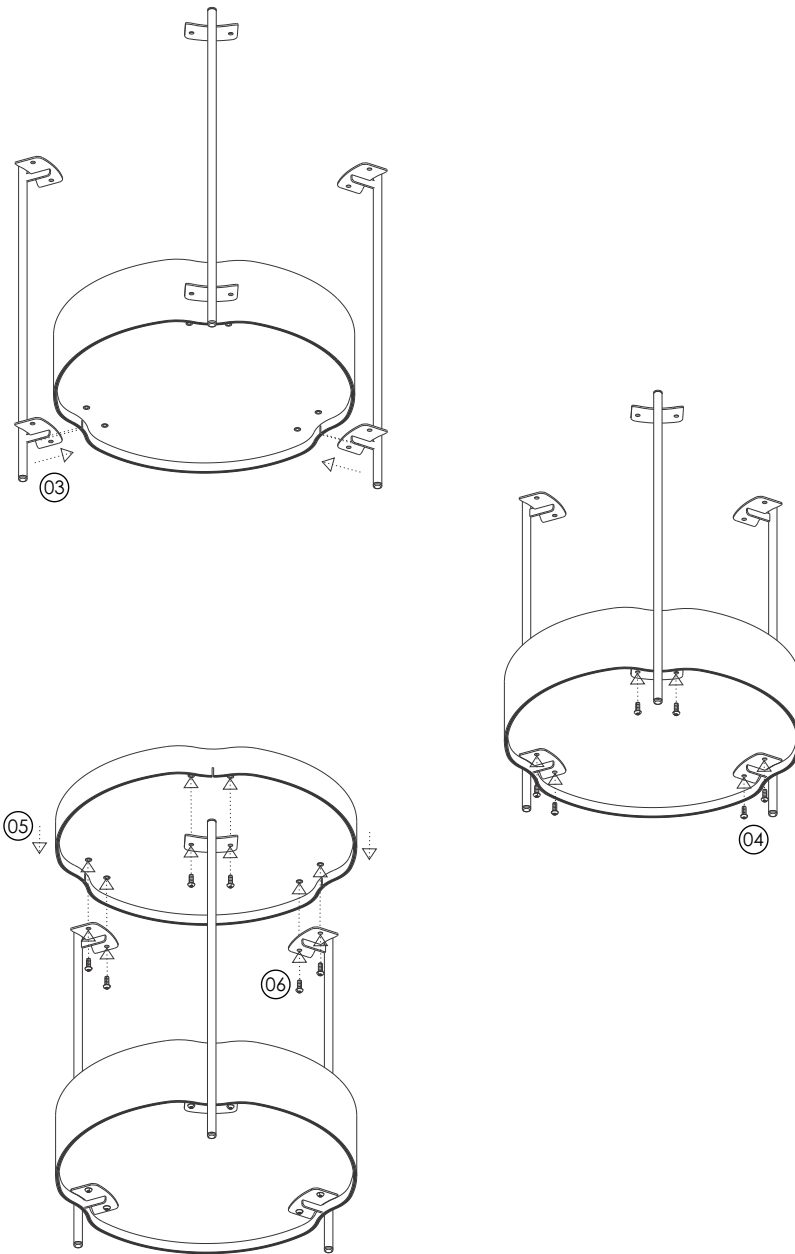
If the table is used next to or overlapping other pieces of furniture, such as sofas or armchairs, make sure that no part is in direct contact with surfaces or edges that could cause possible damage.

Objects or forces greater than **11lbs** must not be placed on the tabletop, in order to preserve the integrity of the product.

The table is intended for indoor use, therefore, it must not be exposed to the elements, such as direct sunlight, humidity, sea air or extreme weather conditions.

Avoid placing glasses, bottles and other containers that are too hot, cold or wet on the table, in order to avoid permanent stains on the natural wood veneer.

The table must be cleaned using only a cloth slightly moistened with water and neutral soap, avoiding any abrasive cleaning product.



PROVIDED SCREWS



S1 (12)

**WARNING!**  
FAILURE TO COMPLY WITH THESE INSTRUCTIONS MAY CAUSE ACCIDENTS AND LOSS OF PRODUCT WARRANTY.  
THE TABLE MUST NOT BE USED AS A SUPPORT SURFACE TO CLIMB OR SIT IN

SAVE THESE INSTRUCTIONS FOR FUTURE REFERENCE.

Accord Home guarantees coverage against manufacturing defects including finishes, for a period of three months, under normal use from the date of purchase. For warranty service, please contact your local dealer for further instructions. Proof of date of purchase will be required for validation of warranty service.

The responsibility of the manufacturer regarding the product warranty is related to the correct observation of the instructions contained in this manual. The manufacturer is not responsible for any damage to the product caused by accidents, alterations of any kind, improper usage or improper installation. See the website for additional warranty details.

Accord Home reserves the right to change the dimensions and specifications contained in this manual without prior notice, in accordance with its policy of continuous product improvement. Please, contact the manufacturer if additional information is necessary. The illustrations in this manual are for guidance only and may vary in scale, dimensions and model details.