

Sefera Large and Extra Large Wall

700KWWS101_, 700KWWS102_ 1.0



GENERAL PRODUCT INFORMATION:

These fixtures are intended to be installed utilizing NEC compliant junction boxes.

This product is suitable for damp locations.

This product can be dimmed with most LED compatible ELV and Triac dimmers.

This instruction shows a typical installation.

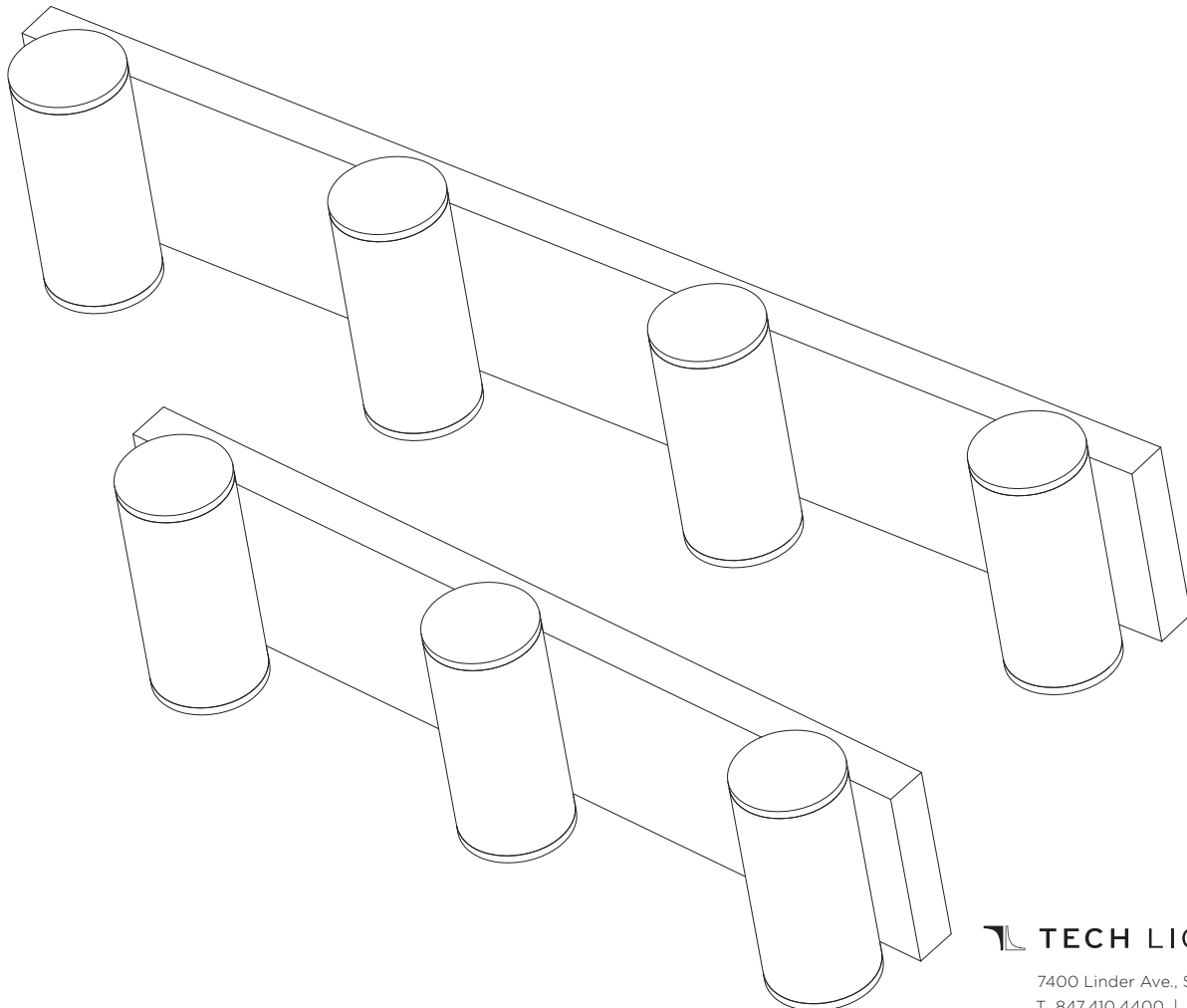


CAUTION - RISK OF FIRE

This product must be installed in accordance with the applicable installation code by a person familiar with the construction and operation of the product and the hazards involved.

Use minimum 90°C supply conductors.

SAVE THESE INSTRUCTIONS!



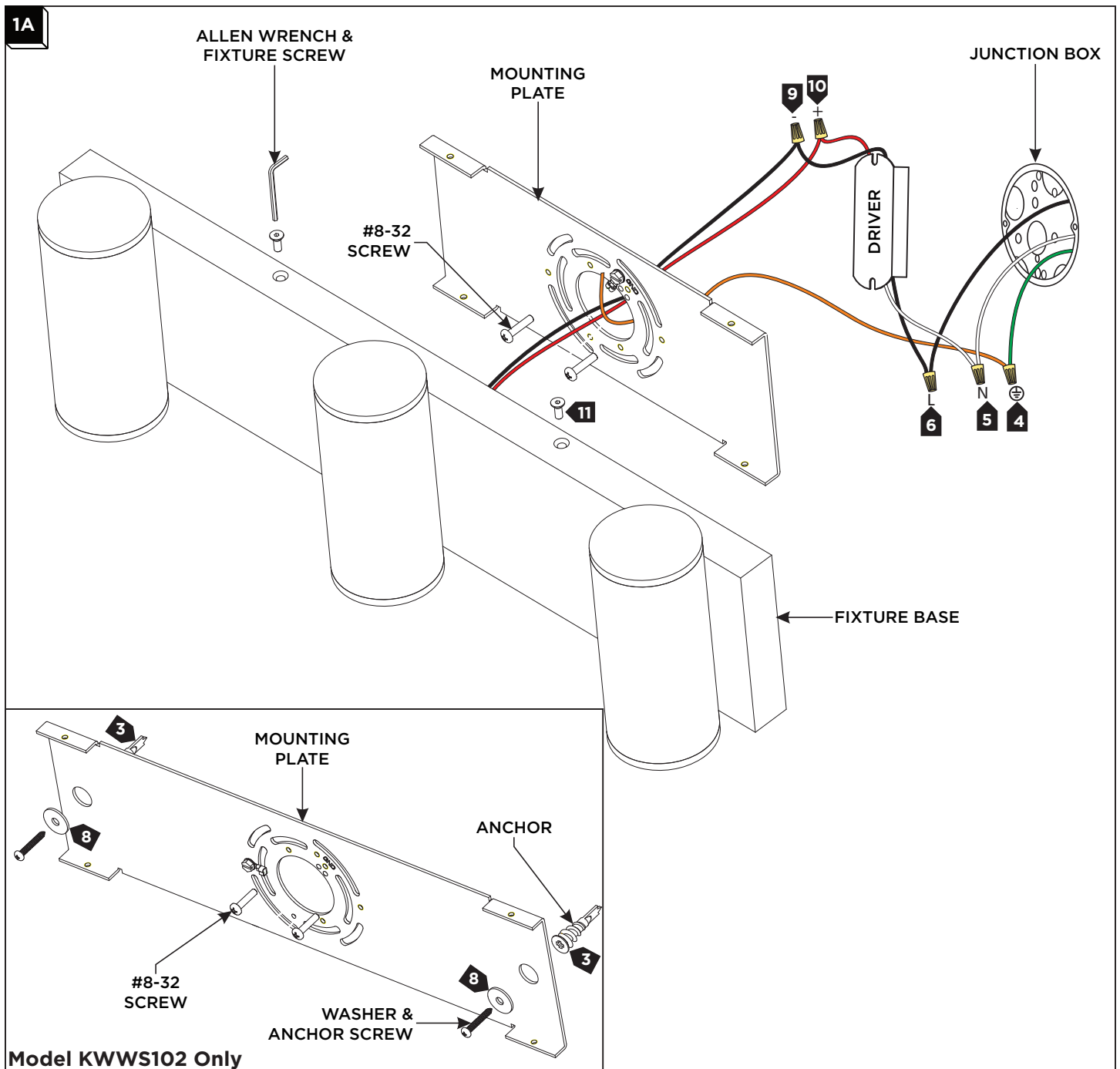
TECH LIGHTING

7400 Linder Ave., Skokie, IL 60077

T 847.410.4400 | F 847.410.4500

www.techlighting.com

Install the Fixture



Model KWWS102 Only

- 1** **For Model KWWS102 Only:** Temporarily install the mounting plate to the junction box using the #8-32 screws.
- 2** **For Model KWWS102 Only:** Mark the anchor locations through the holes on the mounting plate. Remove the mounting plate.
- 3** **For Model KWWS102 Only:** Drill appropriate sized holes at the marked locations and install the anchors.
- 4** Connect the fixture to a suitable ground in accordance with local electrical codes.
- 5** Connect the white input driver wire to the neutral power line with a wire nut.
- 6** Connect the black input driver wire to the hot power line with a wire nut.
- 7** Properly place the driver/wire nut connections into the junction box and install the mounting plate to the junction box with the two provided #8-32 screws.
- 8** **For Model KWWS102 Only:** Screw the washers and anchor screws into the anchors.
- 9** Connect the negative (-) fixture wire to the negative (-) driver output wire with a wire nut.
- 10** Connect the positive (+) fixture wire to the positive (+) driver output wire with a wire nut.
- 11** Properly place the wire nut connections into the junction box, install the fixture base onto the mounting plate with the fixture screws using the provided Allen wrench.