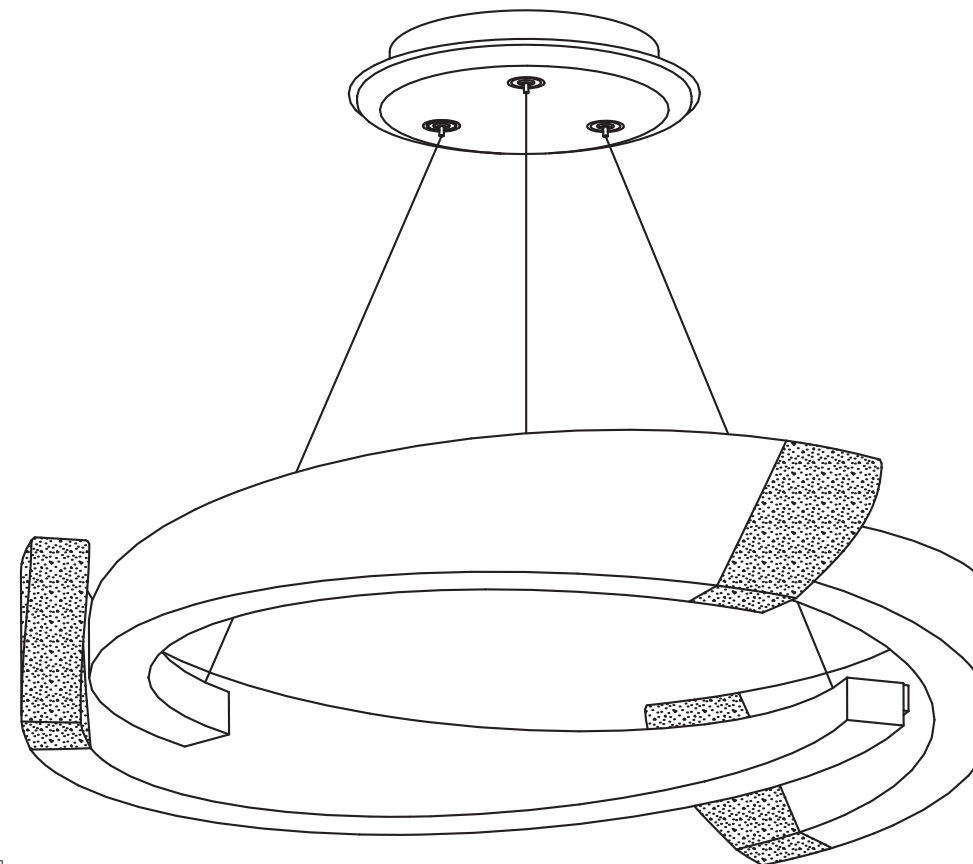


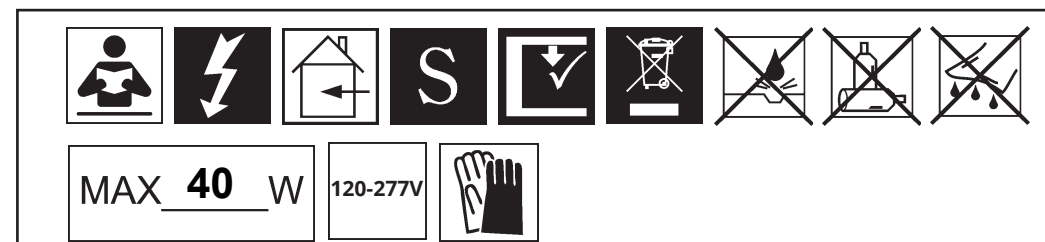
SCHONBEK  
*Signature*<sup>™</sup>

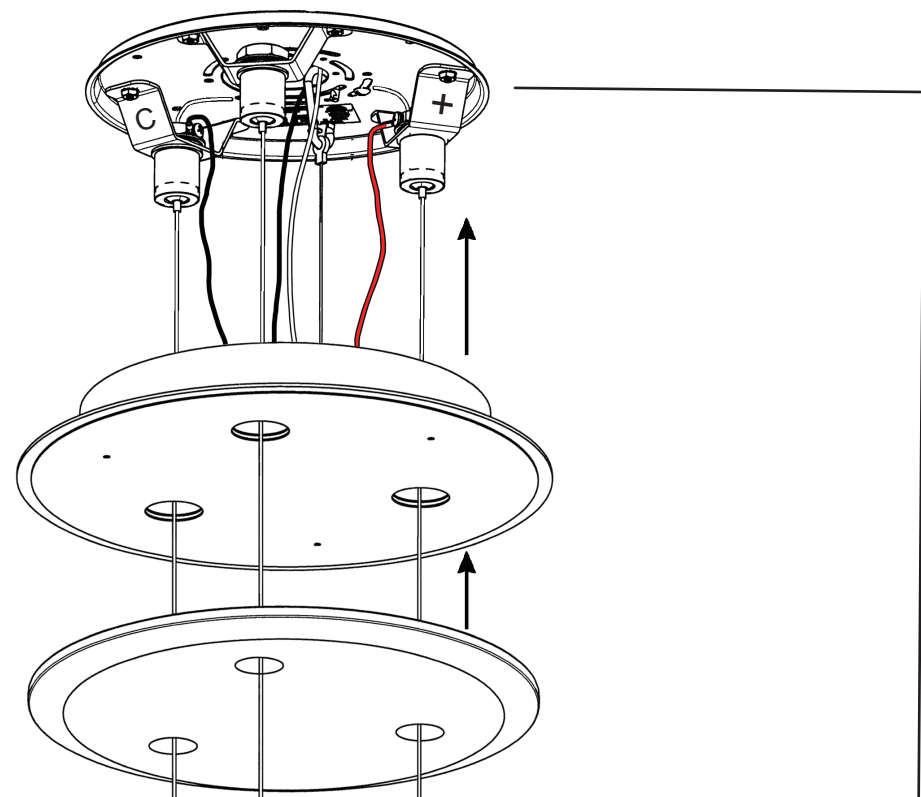
## Embrace S4834- \_\_ \_\_ O



**T**HIS DESIGN IS THE PROPRIETARY  
TRADE DRESS/TRADEMARK OF  
W SCHONBEK LLC.

SCHONBEK  
*Signature*<sup>™</sup>





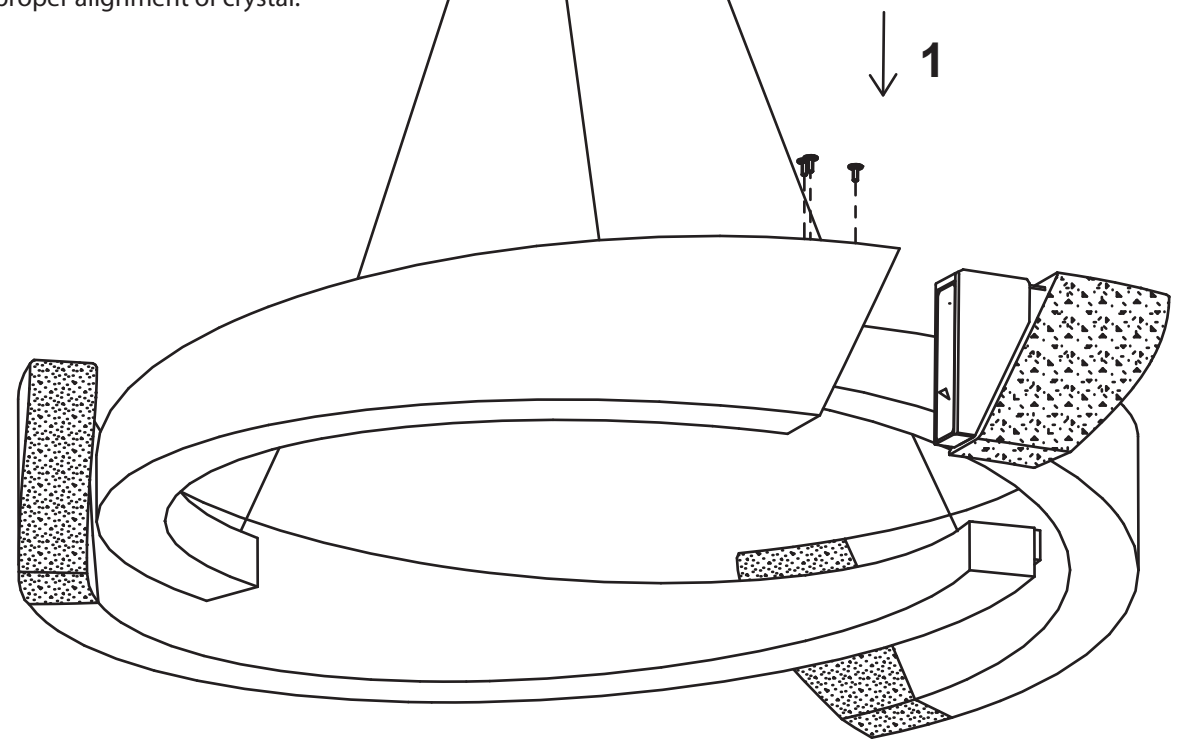
**Suggestion:**

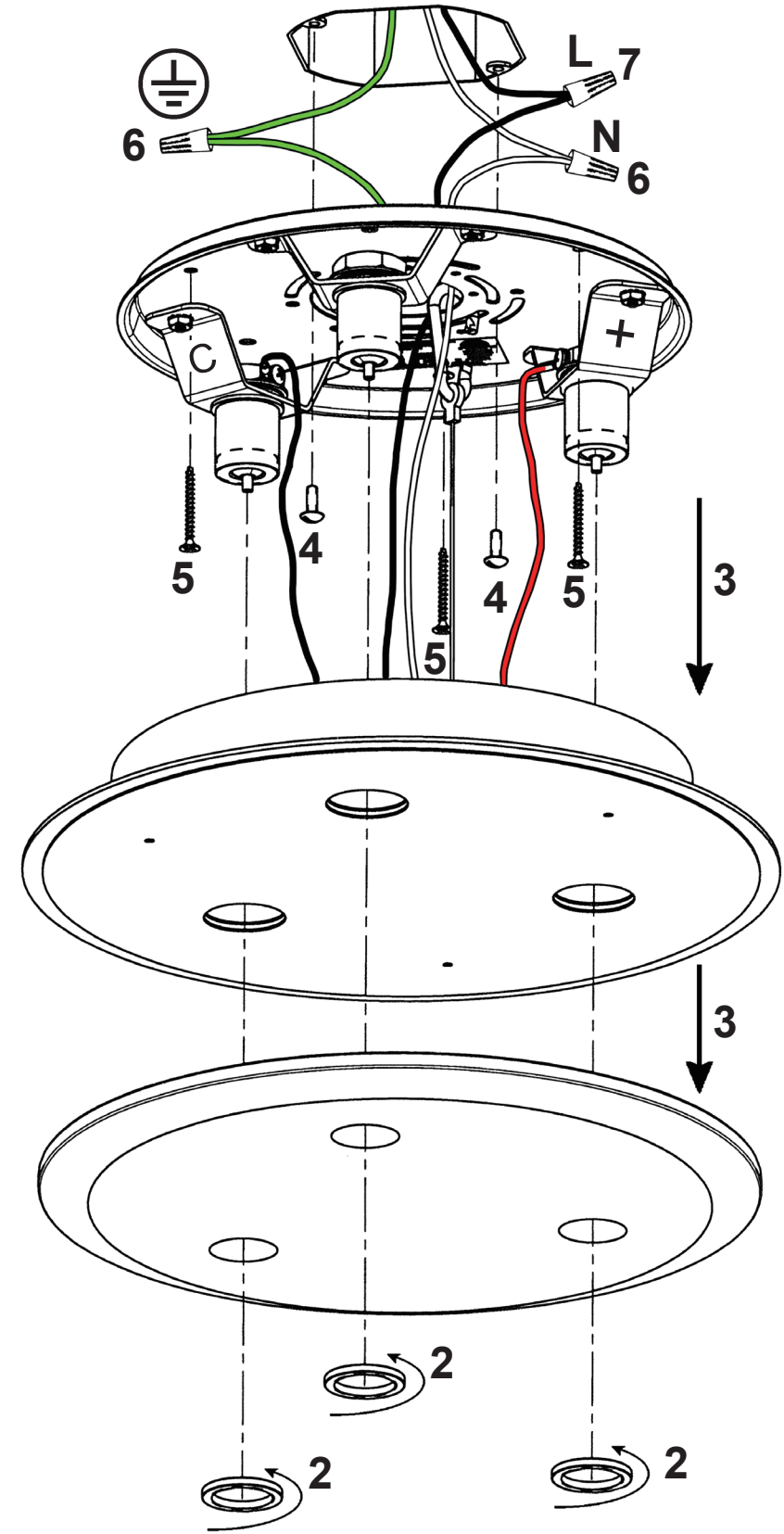
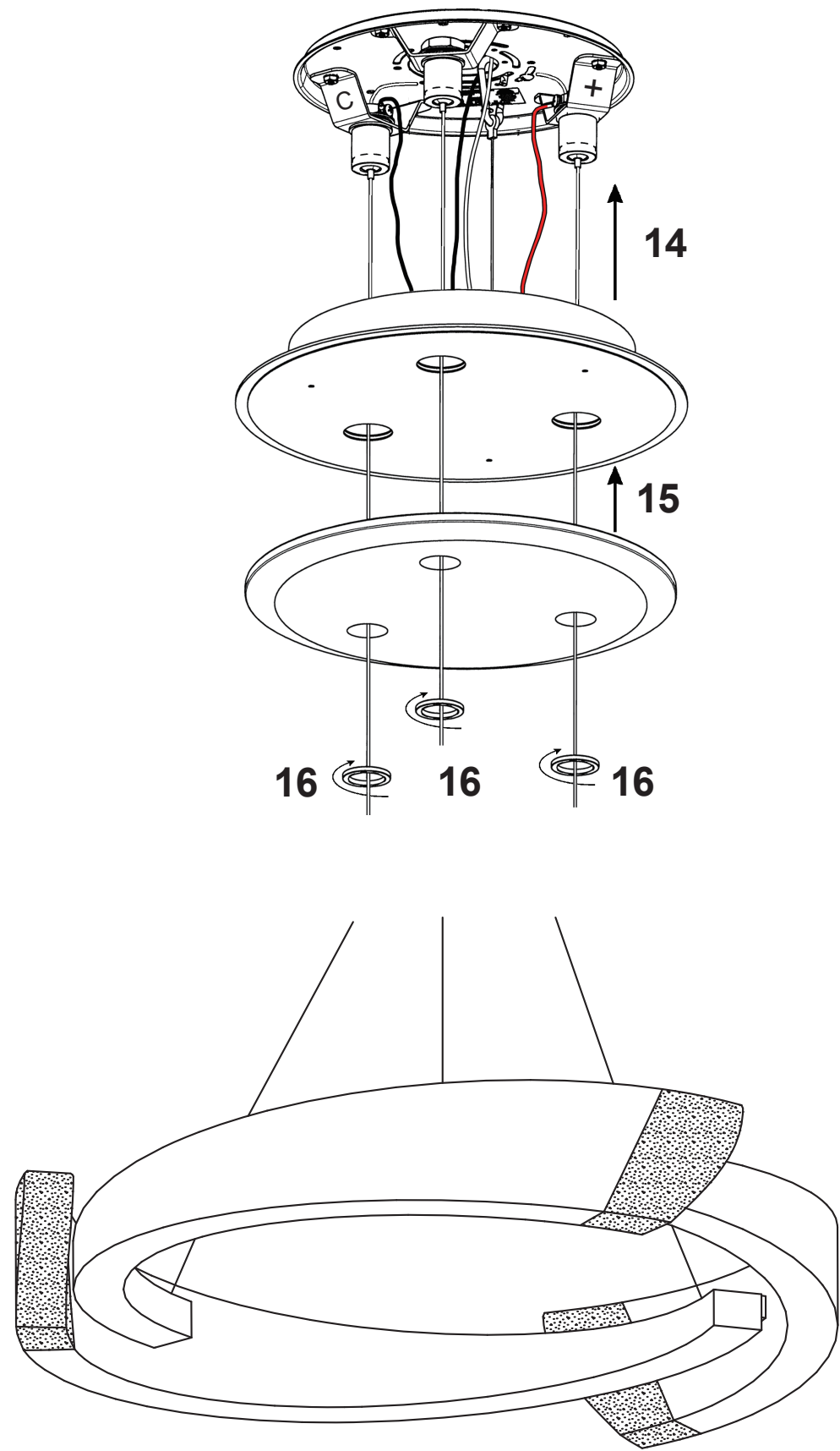
1. Install the crystal according to the corresponding serial number before installing the lamp.
2. Ensure crystal is aligned before screws are tightened all the way
3. 2nd set of hands may be needed to ensure proper alignment of crystal.

**IMPORTANT NOTE:**  
WHEN MEASURING,  
INCLUDE 4-1/2" FORTRIM

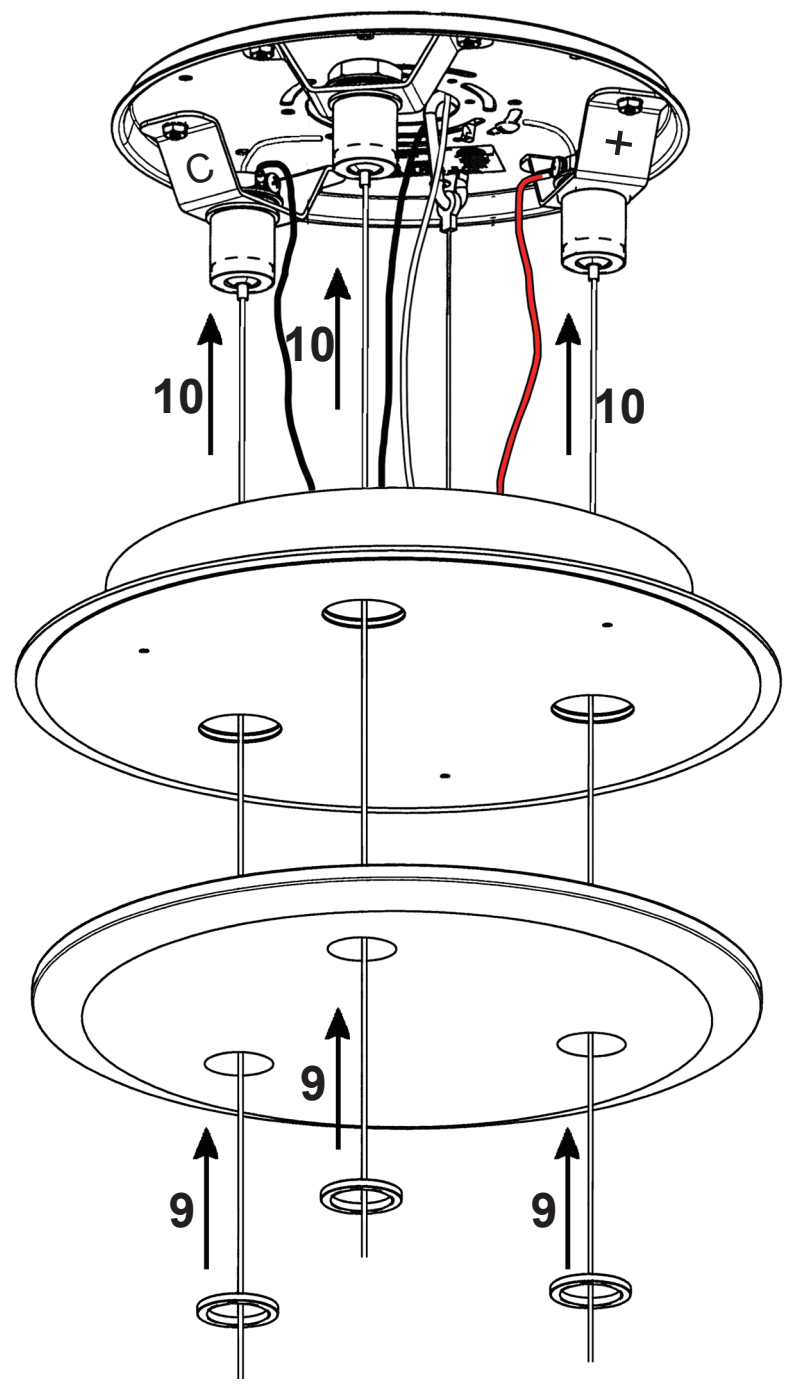
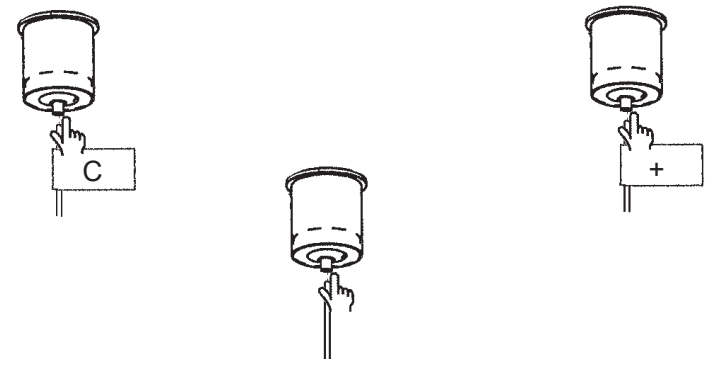


10

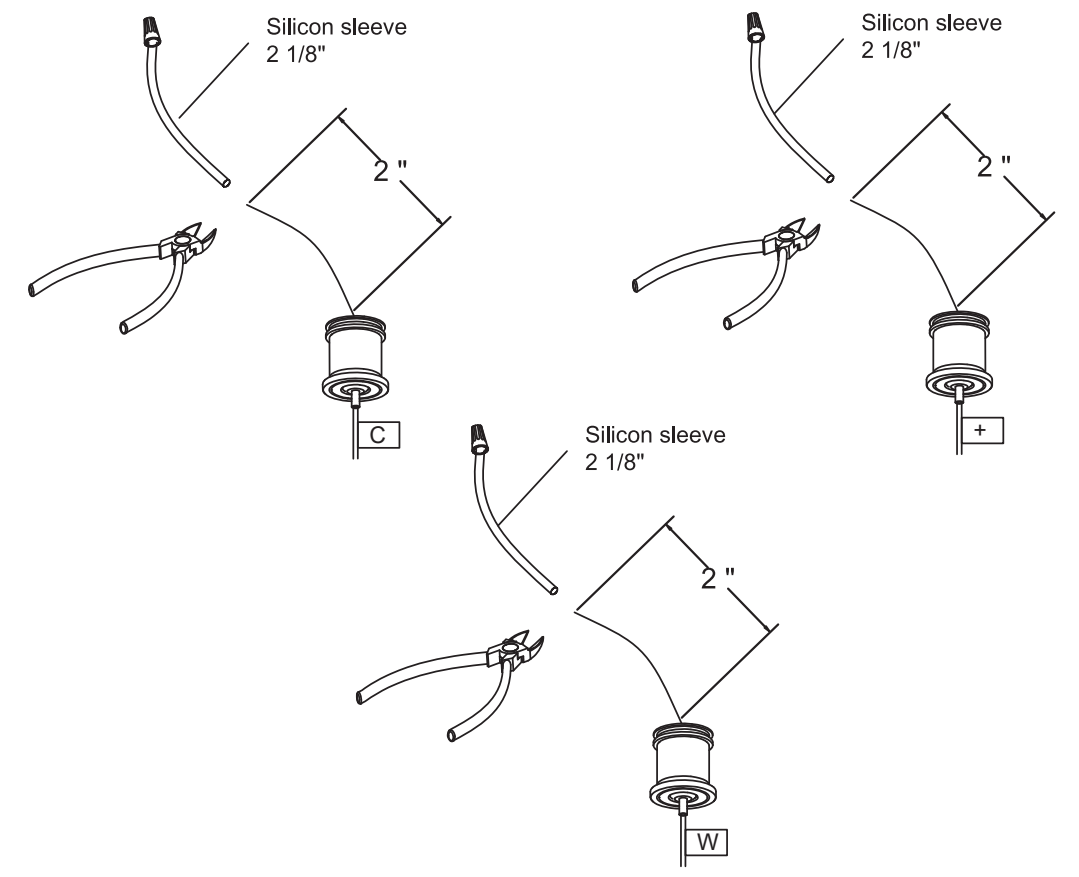




11



12



13

