

# INSTALLATION INSTRUCTION

## 713-LED Outdoor Flush Mount

### FM-W71310

# dweLED

**CAUTION: To prevent electrical shock, ensure electricity has been turned off at the circuit breaker before beginning.**

- Read all instructions before installing.
- System is intended for installation by a licensed electrician in accordance with the National Electrical Code (NEC) and local regulations.
- When handling the fixture, do not apply pressure to the LEDs. Hold the fixture by the base only.
- Retain installation instructions for future maintenance reference.

**WARNING:** All parts must be used as indicated in these instructions. This product is designed for use only with the supplied parts and/or accessories designated for use by dweLED. Substitution of parts or accessories not designated for use with this product by dweLED could result in personal injury or property damage, and will void the warranty. Contact an authorized dealer or the manufacturer if any parts are damaged or missing.

**MAINTENANCE NOTE:** Coastal conditions may cause mineral and residue build-up on the fixture. We recommend that customers in coastal areas clean all external surfaces of the fixture once every two weeks with a wet cloth.

**MISE EN GARDE:** Pour éviter tout choc électrique, assurez-vous que le disjoncteur soit mis hors tension avant de commencer.

- Lisez toutes les instructions avant l'installation.
- Le système doit être installé par un électricien licencié conformément au code national de l'électricité (NEC), et également aux règlements locaux.
- Lors de la manipulation du luminaire, n'appuyez pas sur les LED. Tenez-le uniquement par la base.

**ATTENTION:** Toutes les pièces doivent être utilisées comme indiqué dans ces instructions. Ce produit est conçu pour être utilisé seulement avec les pièces et/ou accessoires fournis pour être utilisés avec les produits dweLED. Remplacer des pièces ou accessoires non conçus pour ce produit dweLED pourrait causer des dommages corporels ou matériels et pourrait également causer l'annulation de la garantie. Veuillez contacter un revendeur autorisé ou le fabricant si des pièces manquent ou sont endommagées.

**NOTE D'ENTRETIEN:** Les conditions côtières peut causer une accumulation de minéraux et de résidus sur le luminaire. Nous recommandons aux clients qui résident dans les zones côtières de nettoyer toutes les surfaces externes du luminaire une fois toutes les deux semaines avec un chiffon humide.

**A**



Wire Connector  
Qty: 3pcs+1 Extra

**B**



Wire Connector  
Qty: 3pcs+1 Extra

**C**



Mounting Screw  
Qty: 1 Extra

**D**



Rubber Gasket  
Qty: 1 Extra

**E**



Toothed Lock Washer  
Qty: 1

**F**



Hexagon Iron Nut  
Qty: 1

**G**



1/8\*5 screw  
Qty: 2pcs+1 Extra

**H**



1/8\*13 screw  
Qty: 2pcs+1 Extra

dweLED.com  
Phone (800) 526.2588  
Fax (800) 526.2585

Headquarters/Eastern Distribution Center  
44 Harbor Park Drive  
Port Washington, NY 11050

Central Distribution Center  
1600 Distribution Ct  
Lithia Springs, GA 30122

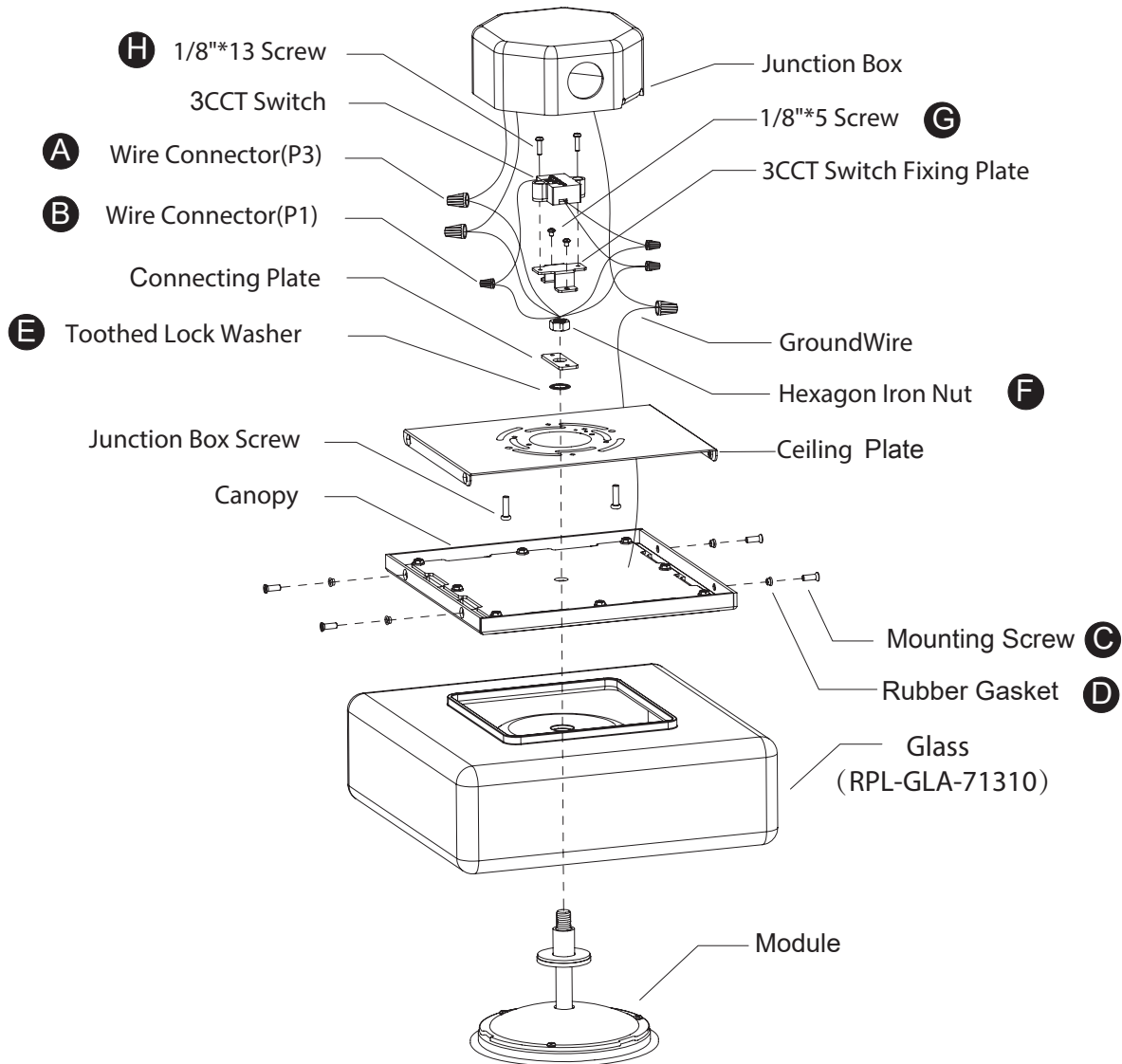
Western Distribution Center  
1750 Archibald Avenue  
Ontario, CA 91760



INSTALLATION INSTRUCTION  
**713-LED Outdoor Flush Mount**  
 FM-W71310

dweLED

Fig.1



**PREPARATION**

1. Shut off the power at the circuit breaker and remove existing fixture, including the crossbar.
2. Carefully unpack your new fixture and lay out all the parts on a clear area. Be careful not to lose any small parts necessary for installation.

**MOUNTING THE FIXTURE (Fig. 1)**

3. Remove the mounting screws (C) and rubber gaskets (D) from the canopy.
4. Secure the module ,glass and connecting plate to the canopy using the toothed lock washer (E) and hexagon iron nut (F).  
 Note: Connecting plate between toothed lock washer (E) and hexagon iron nut (F).
5. Secure the 3CCT switch fixing plate to the connecting plate using 1/8"×5 screw (G).
6. Secure the 3CCT switch to the 3CCT switch fixing plate using 1/8"×13 screw (H).
7. The lamp can switch between three color temperatures (3000K-3500K-4000K), which can be adjusted to your preference with the switch in the canopy (Fig.4).
8. Secure the ceiling plate to the junction box using standard junction box screws that comes with the junction box.  
 Note: (i)Using any other non-original-manufacturer provided junction box screw may result in safety issue.  
 (ii) The side of the ceiling plate marked "GND" must face out.

dweLED.com  
 Phone (800) 526.2588  
 Fax (800) 526.2585

Headquarters/Eastern Distribution Center  
 44 Harbor Park Drive  
 Port Washington, NY 11050

Central Distribution Center  
 1600 Distribution Ct  
 Lithia Springs, GA 30122

Western Distribution Center  
 1750 Archibald Avenue  
 Ontario, CA 91760



# INSTALLATION INSTRUCTION

## 713-LED Outdoor Flush Mount

### FM-W71310

# dweLED

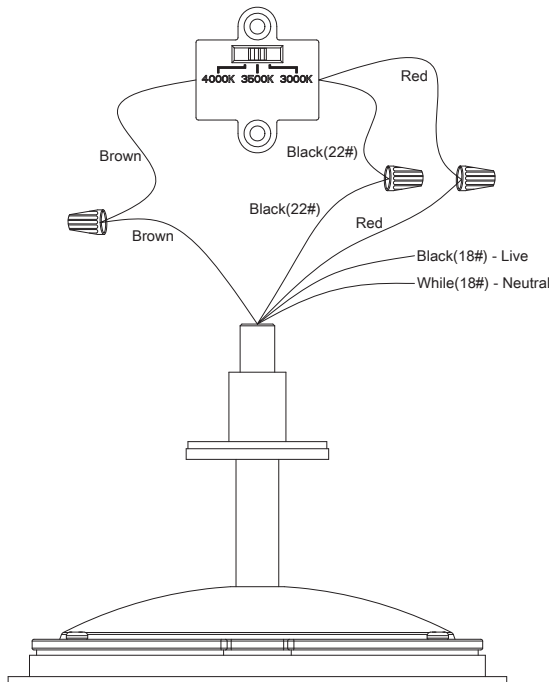
#### CONNECTING THE WIRES (Fig. 2,3)

9. Connect the module's wires and 3CCT switch's wires together using wire connectors(B) as shown in Fig.2 and Fig.3; Connect the module's black wire(18#) and while wire(18#) to junction box in Fig.2 and Fig.3; Make sure that all wire connectors (A) and connectors (B) are secure. If your outlet box has a GND or bare copper ground wire, connect the driver's ground wire to it. Otherwise, connect the canopy's ground wire directly to the ceiling plate using the GND screw provided. After wires are connected, tuck them carefully inside the junction box.

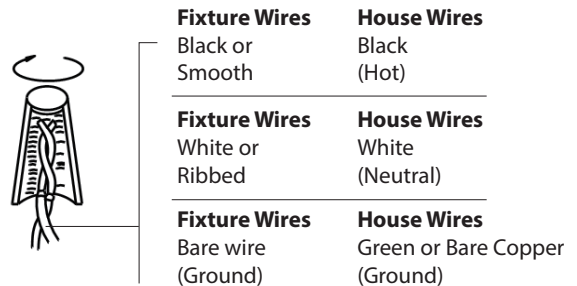
#### COMPLETING THE INSTALLATION (Fig. 1)

10. Secure the canopy to the ceiling plate using the mounting screws (C) and rubber gaskets (D).  
 11. To prevent moisture from entering the outlet box and causing a short, use clear caulking(i.e. indoor/outdoor silicone sealant) to outline the outside of ceiling plate where it meets the wall.

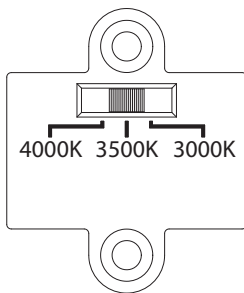
**Fig.2 Switch Wiring**



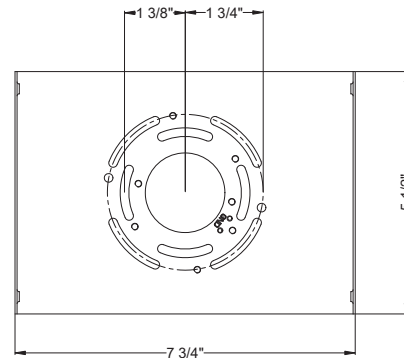
**Fig.3 Wiring**



**Fig.4 Switch**



**Fig.5 Ceiling Plate Dimensions**



dweLED.com  
 Phone (800) 526.2588  
 Fax (800) 526.2585

**Headquarters/Eastern Distribution Center**  
 44 Harbor Park Drive  
 Port Washington, NY 11050

**Central Distribution Center**  
 1600 Distribution Ct  
 Lithia Springs, GA 30122

**Western Distribution Center**  
 1750 Archibald Avenue  
 Ontario, CA 91760

