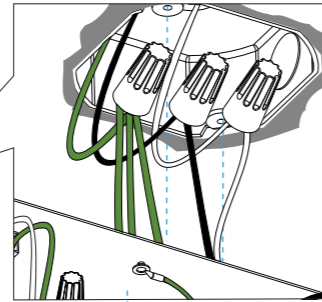
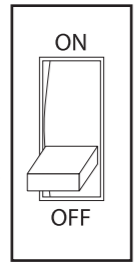


Combi pendant

Assembly Instructions Suspension mount (with Linear canopy)



Risk of shock. An electric shock could cause serious injury or death. Make sure your circuit breaker is OFF before installation. This lamp must be installed by a qualified electrician.

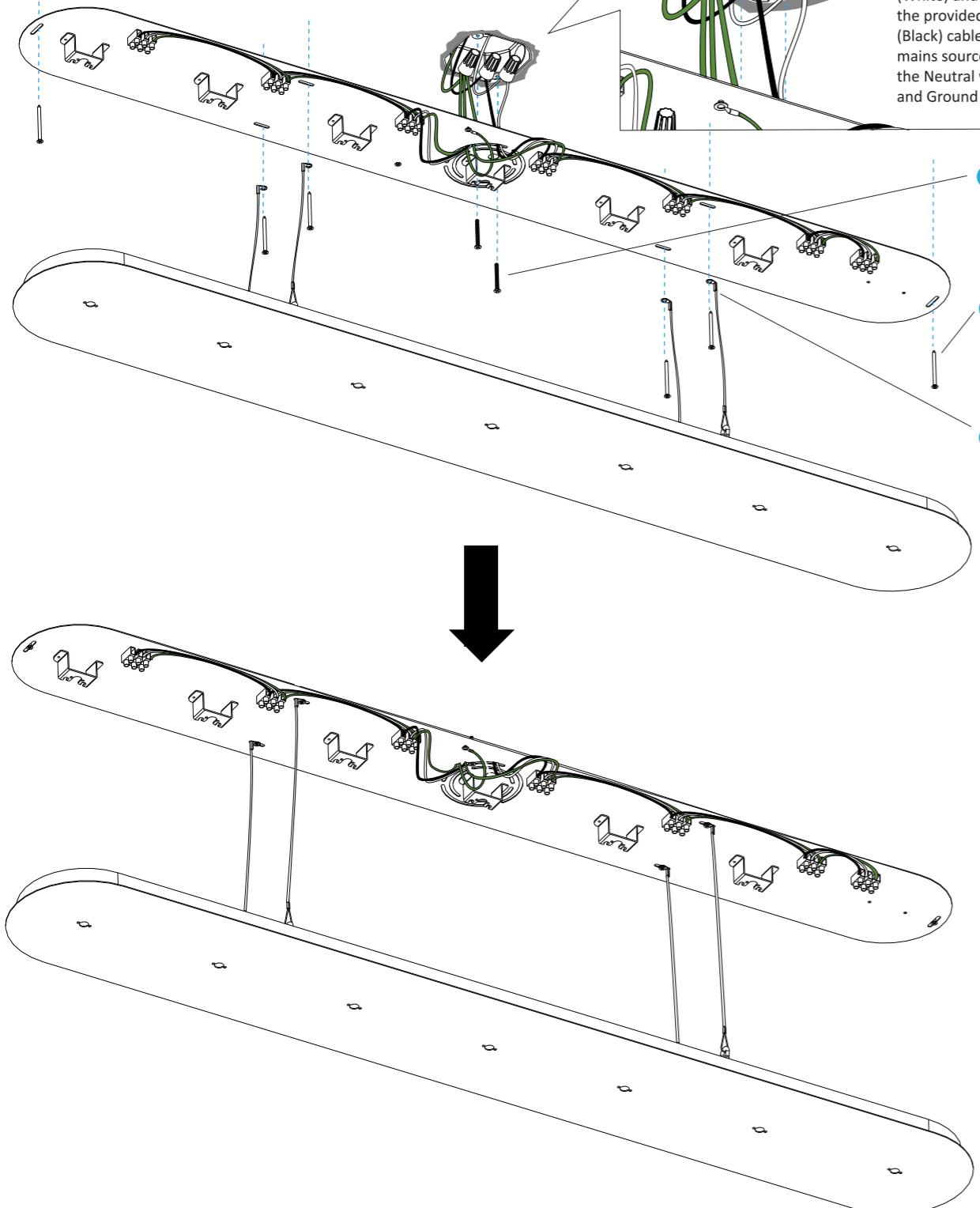


1 The canopy comes with 5 unconnected wire leads – Live (Black), Neutral (White) and 3 x Ground (Green). Using the provided wire nuts, connect Live (Black) cable to the Live wire from the mains source, and White (Neutral) to the Neutral wire from the mains source, and Ground (Green) to the ground.

2 Secure the canopy to the junction box with the provided screws, make sure the canopy is centered to the junction box and fully covering the junction box.

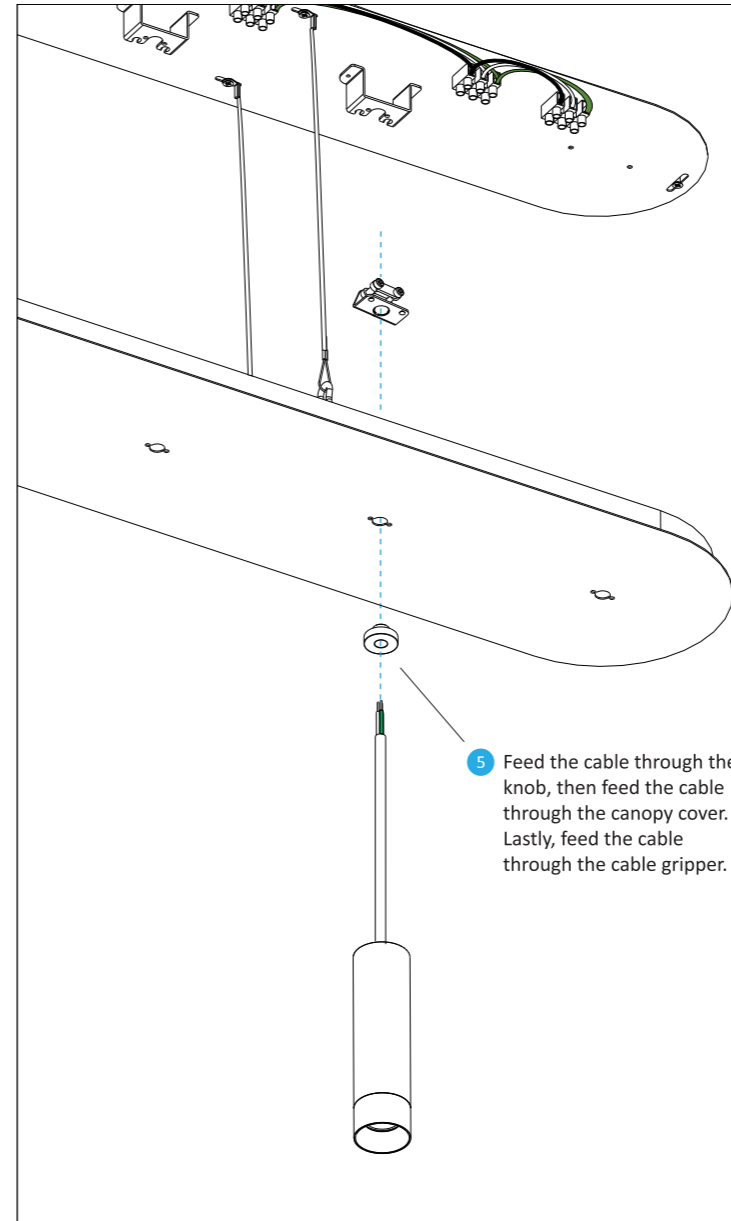
3 Secure the canopy to the ceiling with the provided screws.

4 Secure the canopy to the ceiling with the provided screws, install the screw through the mounting holes on the safety cable.

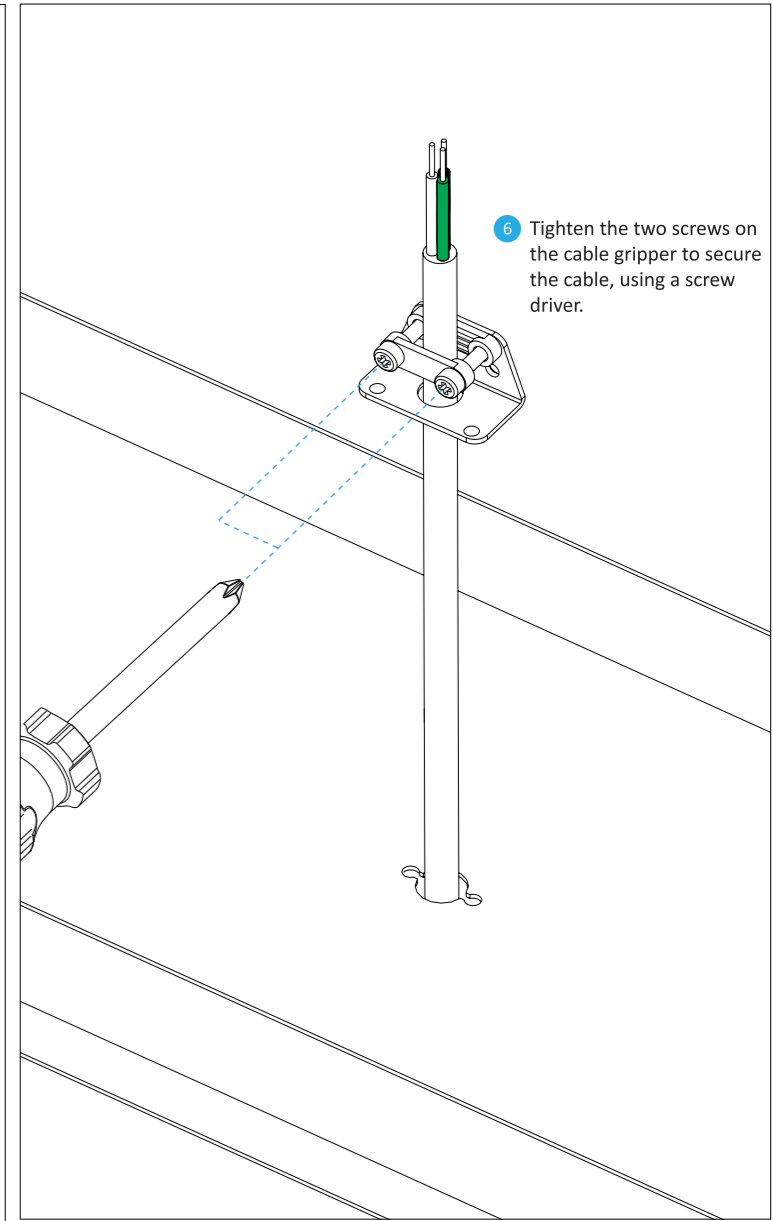


Combi pendant

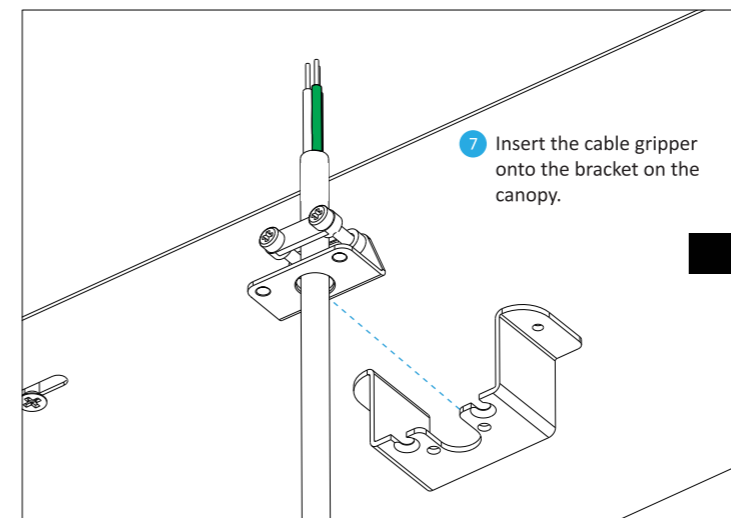
Assembly Instructions Suspension mount (with Linear canopy)



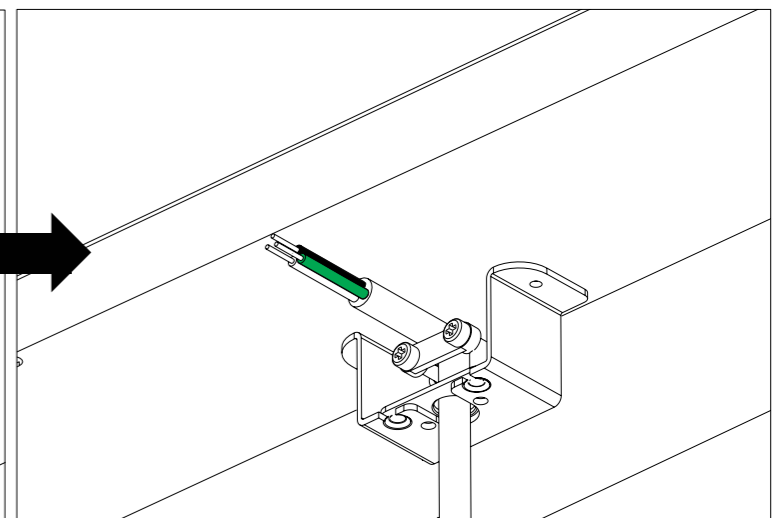
5 Feed the cable through the knob, then feed the cable through the canopy cover. Lastly, feed the cable through the cable gripper.



6 Tighten the two screws on the cable gripper to secure the cable, using a screw driver.

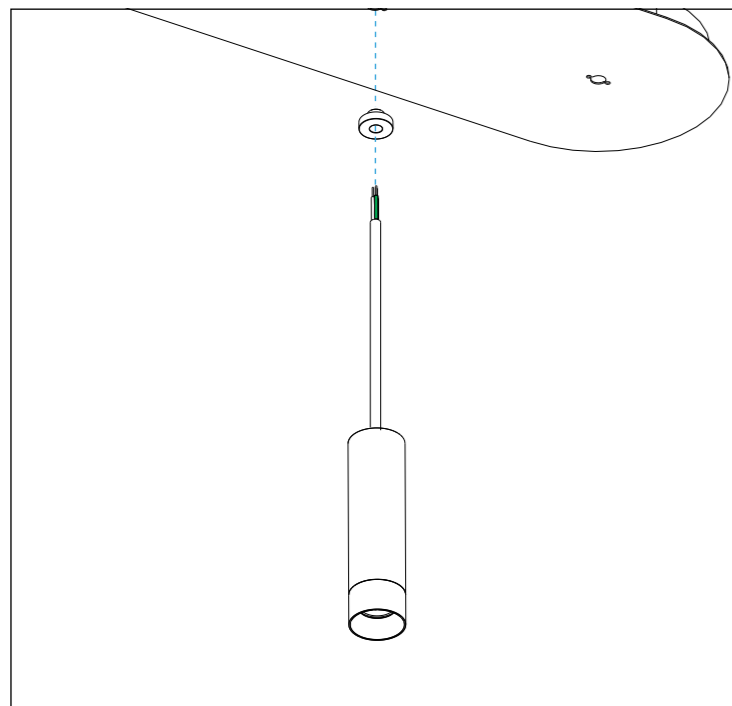
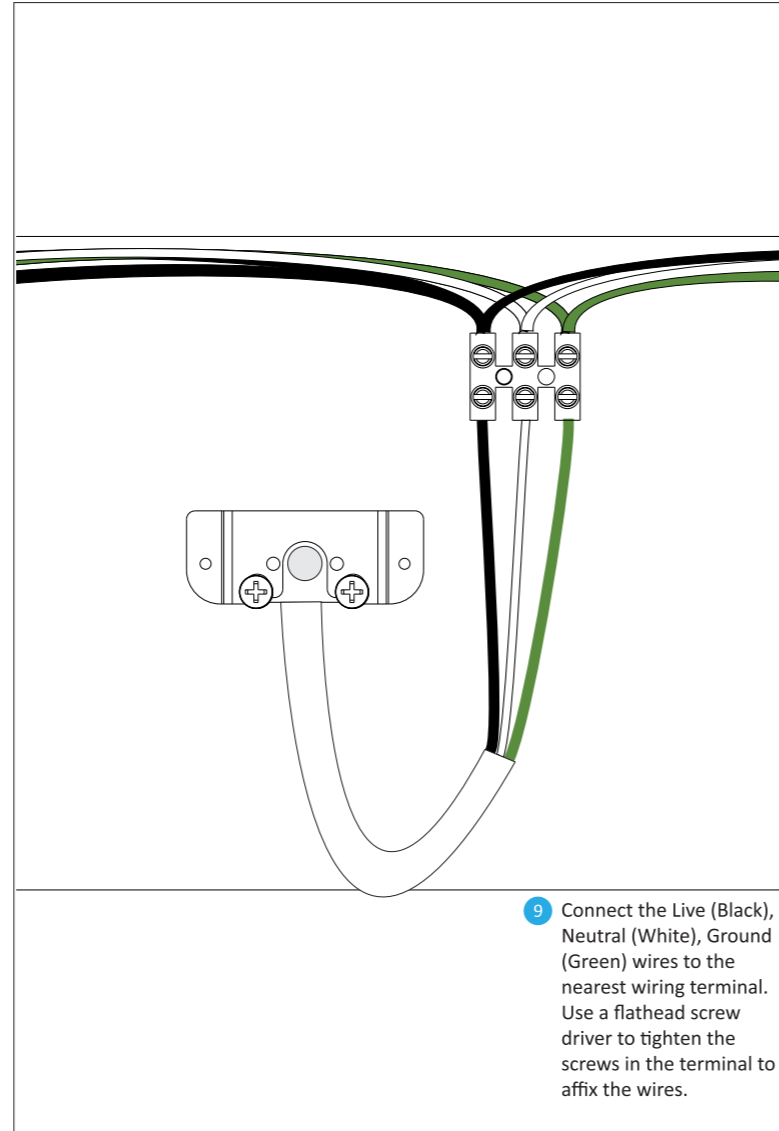
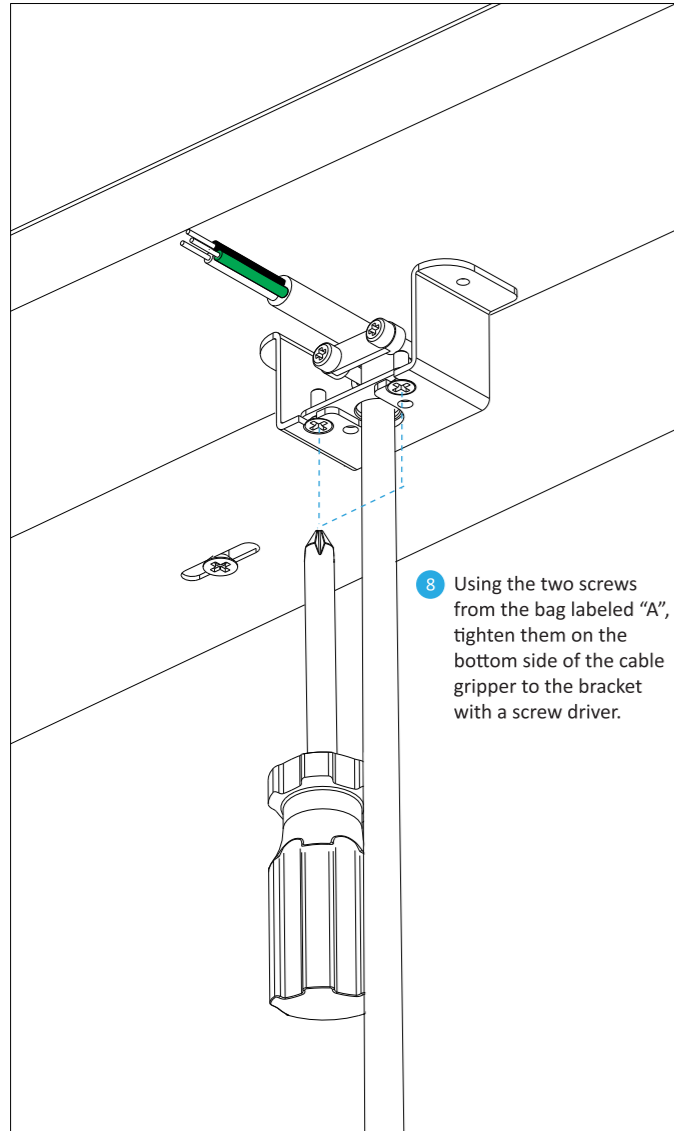


7 Insert the cable gripper onto the bracket on the canopy.



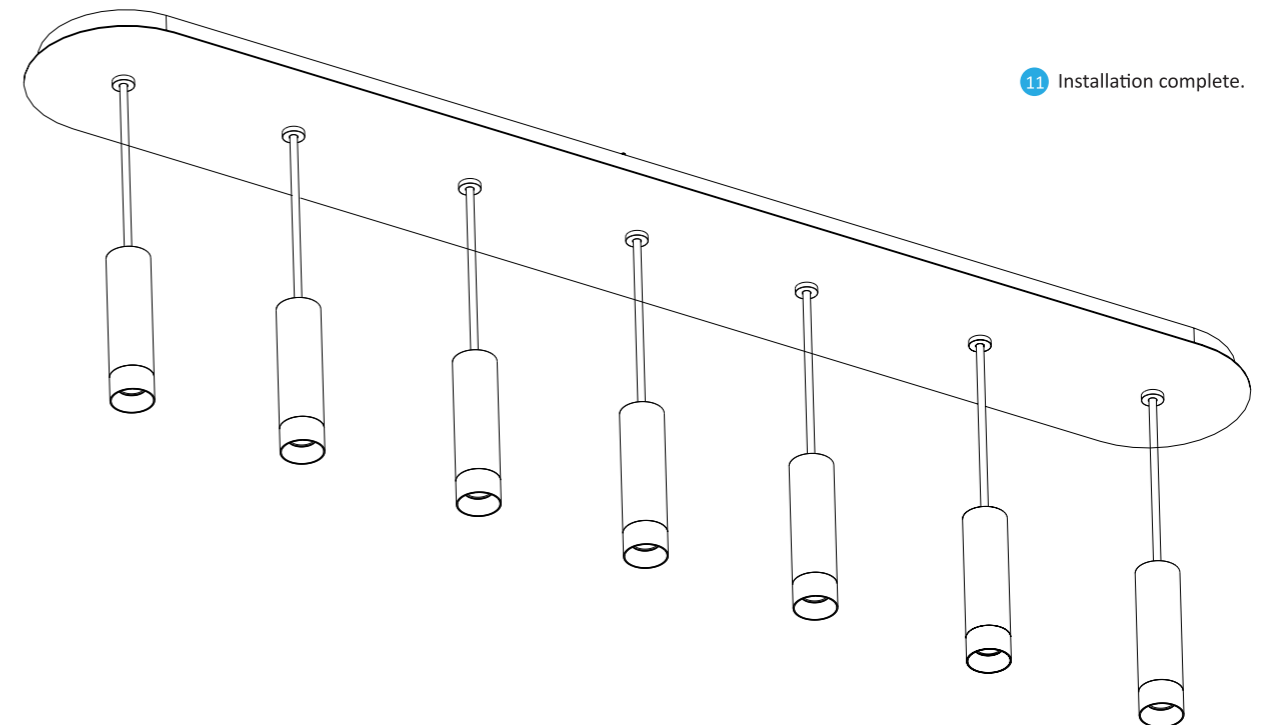
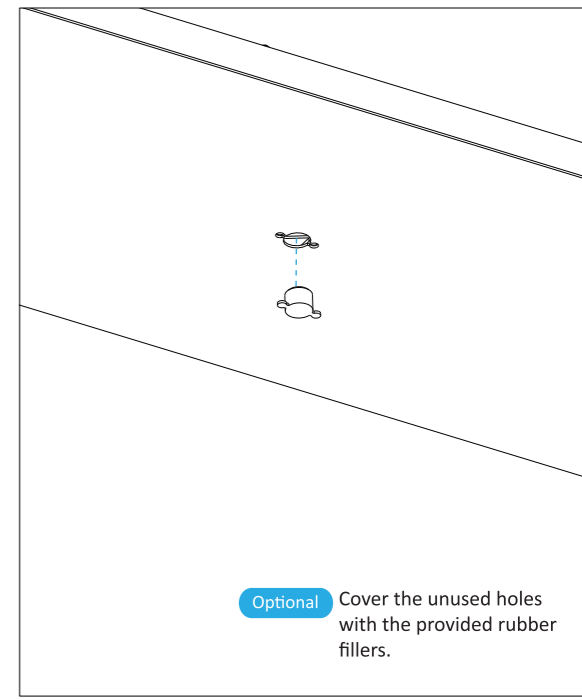
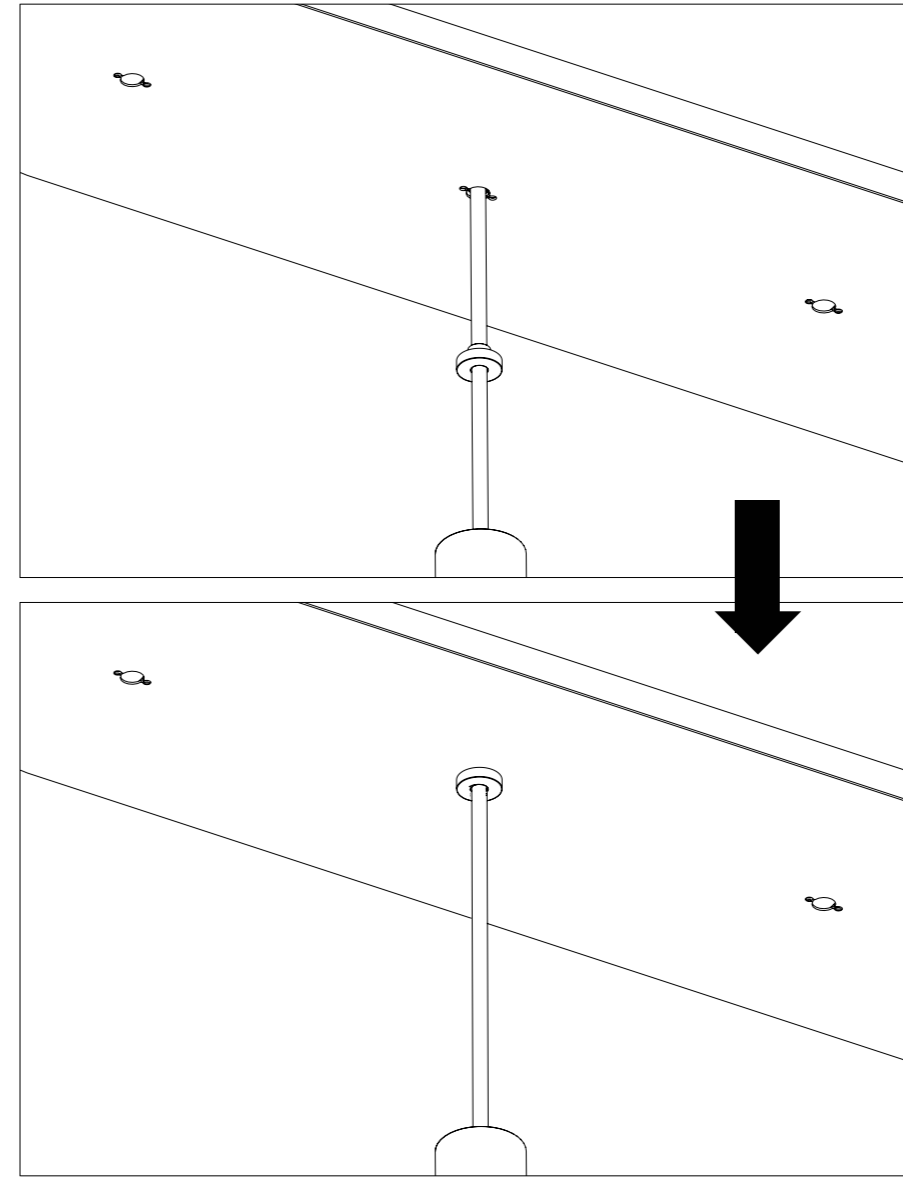
Combi pendant

Assembly Instructions Suspension mount (with Linear canopy)



Combi pendant

Assembly Instructions Suspension mount (with Linear canopy)

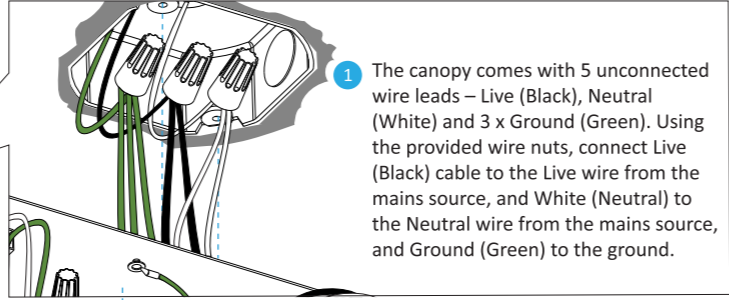
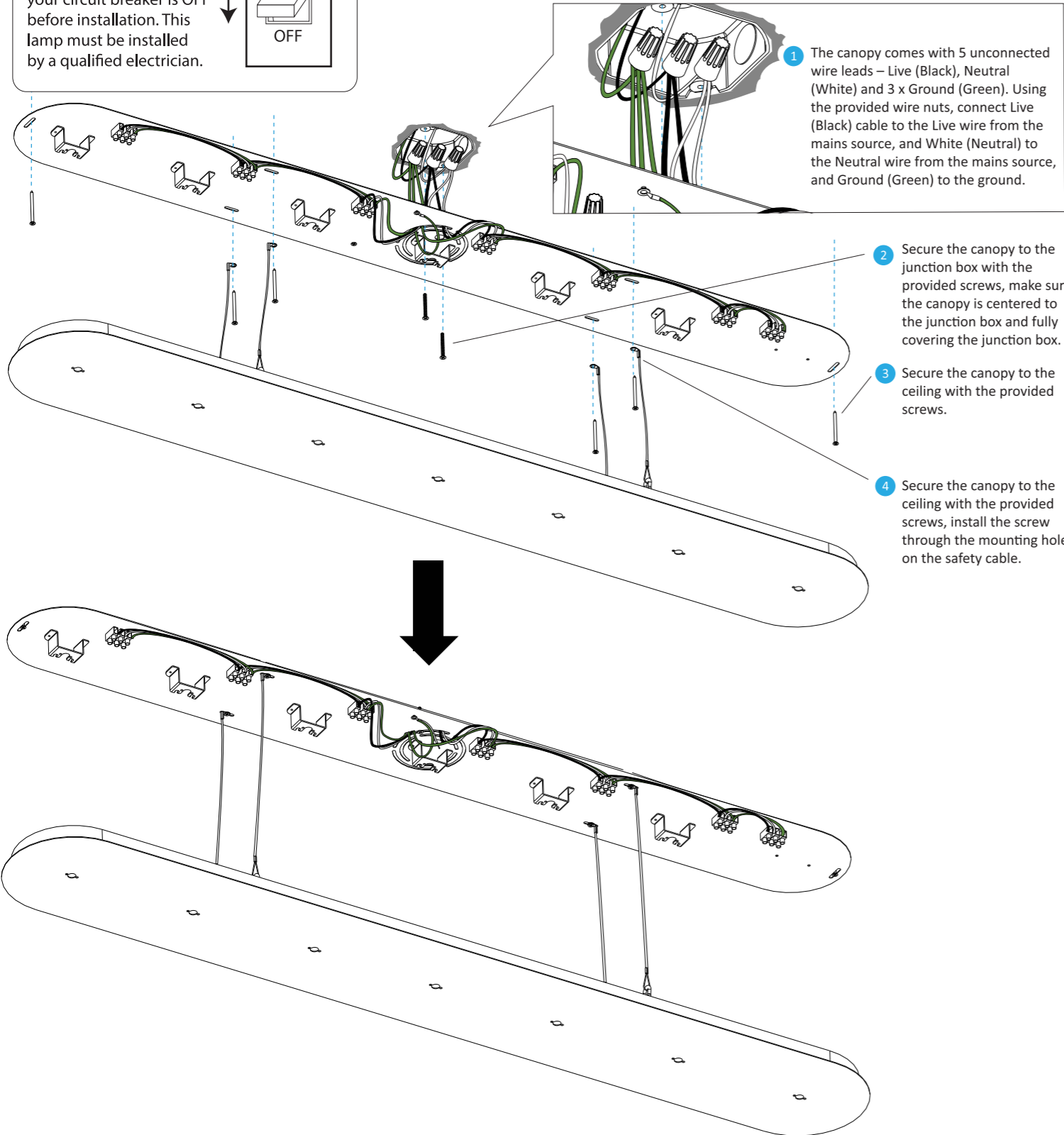
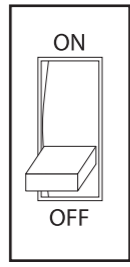


Combi pendant

Assembly Instructions Flush mount (with Linear canopy)



Risk of shock. An electric shock could cause serious injury or death. Make sure your circuit breaker is OFF before installation. This lamp must be installed by a qualified electrician.



1 The canopy comes with 5 unconnected wire leads – Live (Black), Neutral (White) and 3 x Ground (Green). Using the provided wire nuts, connect Live (Black) cable to the Live wire from the mains source, and White (Neutral) to the Neutral wire from the mains source, and Ground (Green) to the ground.

2 Secure the canopy to the junction box with the provided screws, make sure the canopy is centered to the junction box and fully covering the junction box.

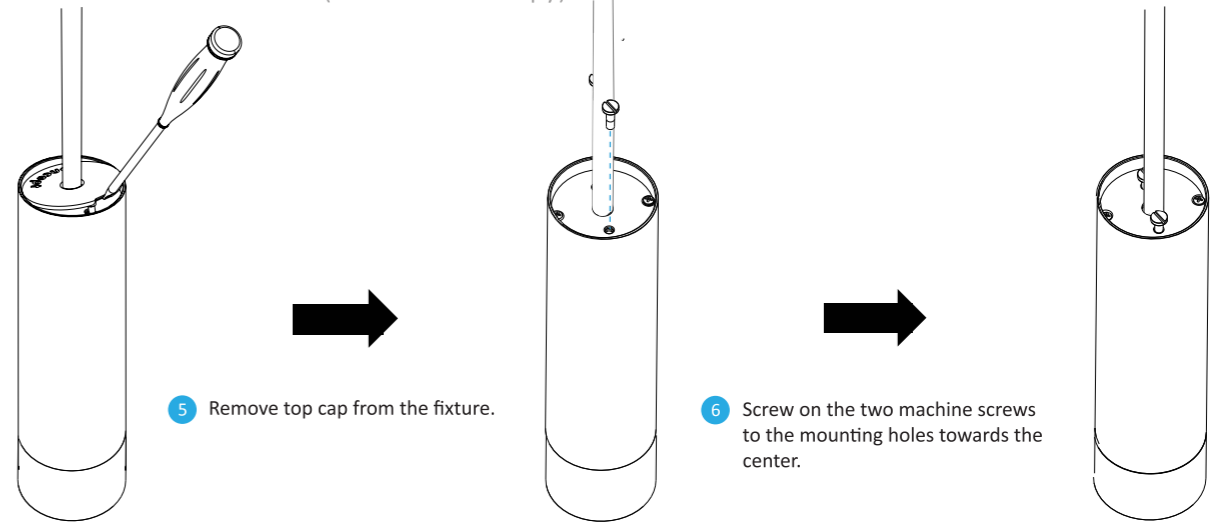
3 Secure the canopy to the ceiling with the provided screws.

4 Secure the canopy to the ceiling with the provided screws, install the screw through the mounting holes on the safety cable.

koncept

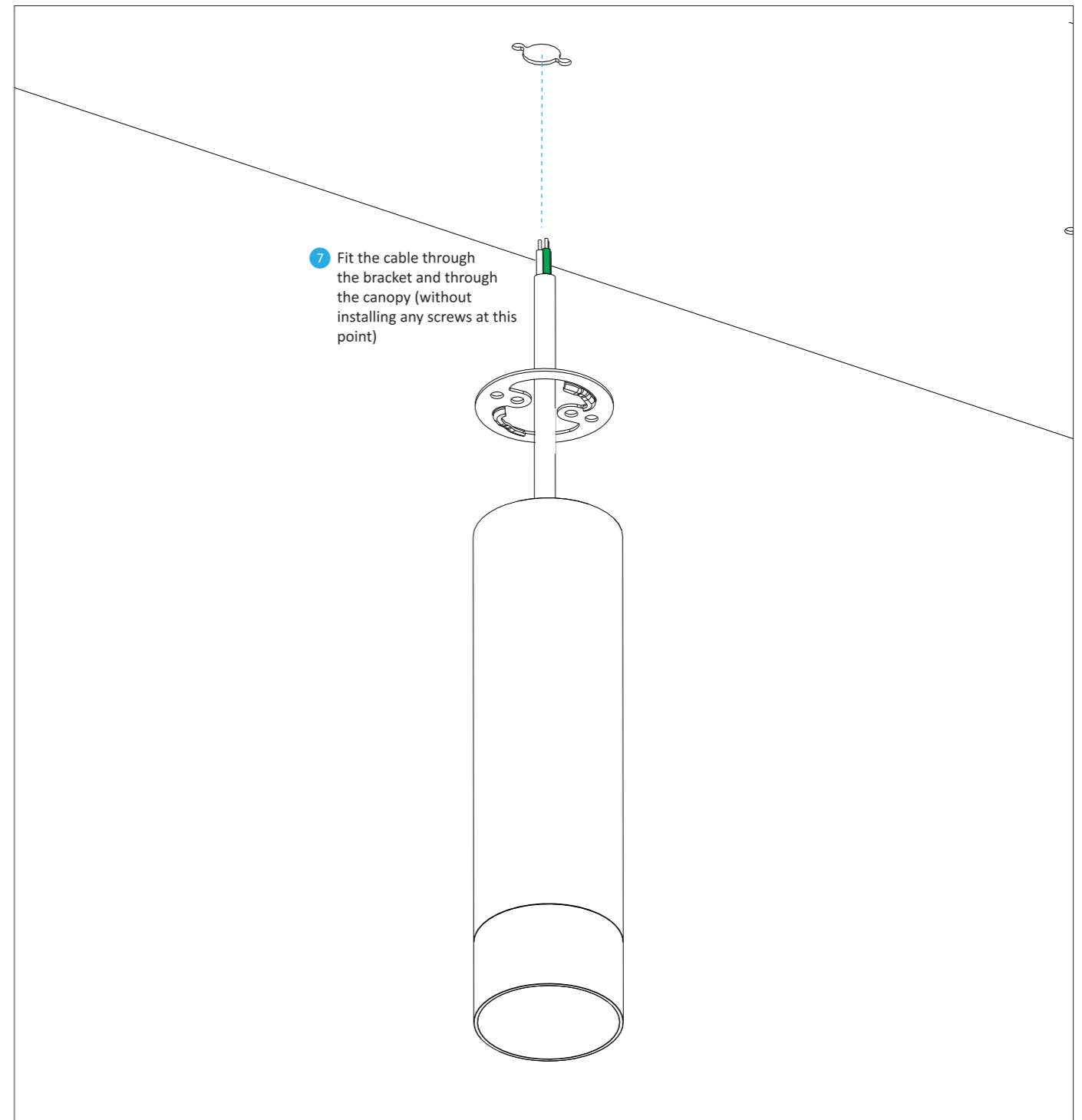
Combi pendant

Assembly Instructions Flush mount (with Linear canopy)



5 Remove top cap from the fixture.

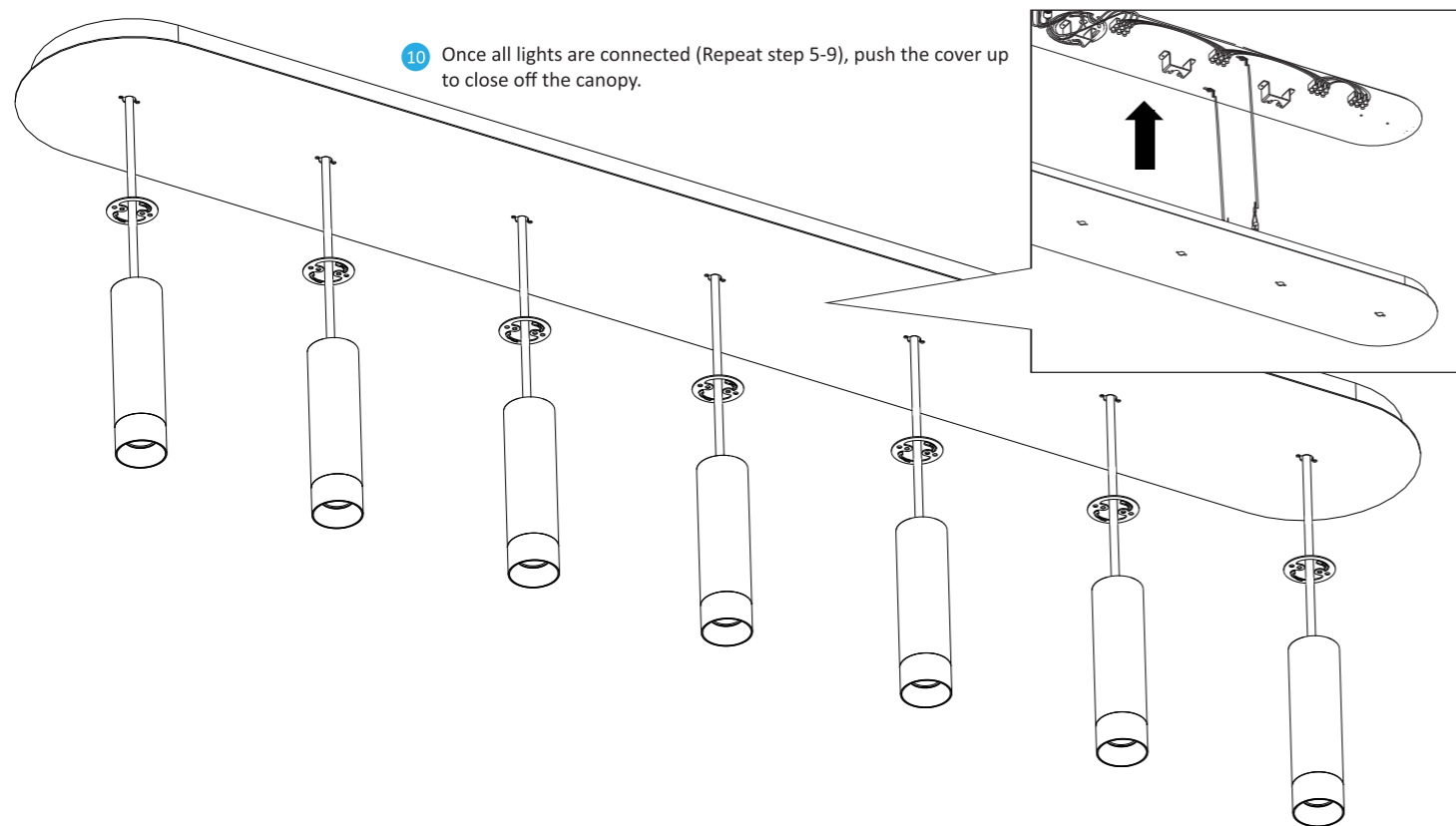
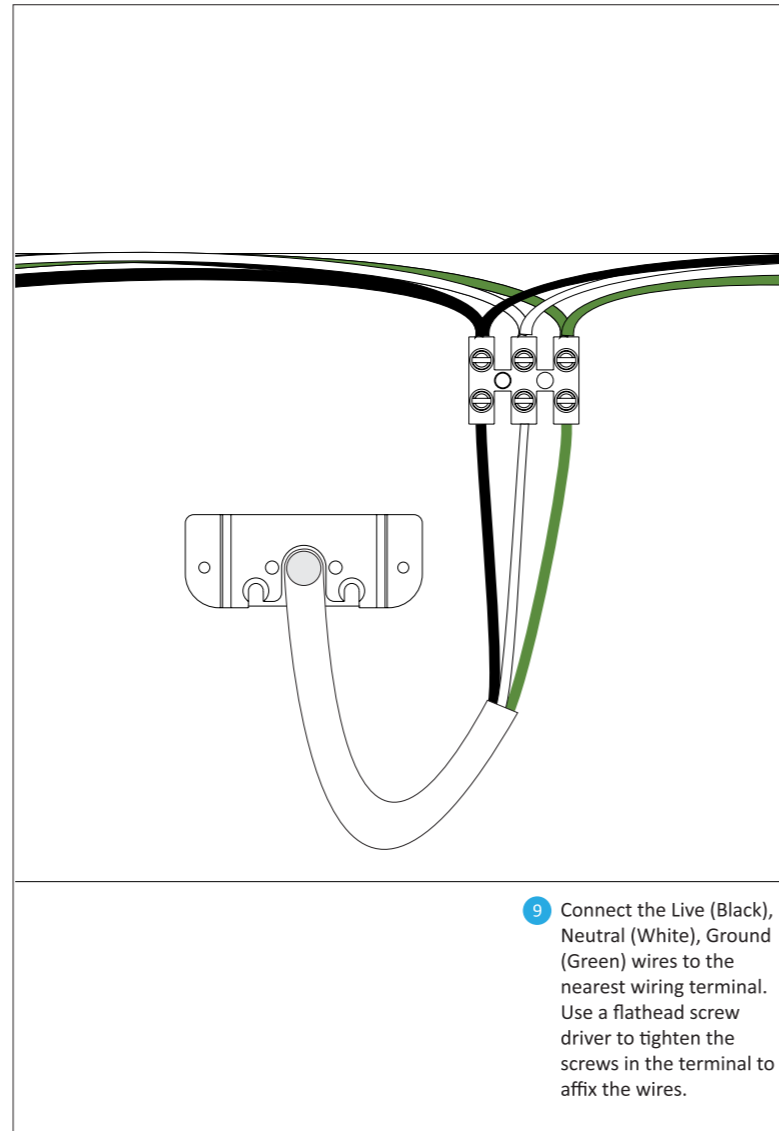
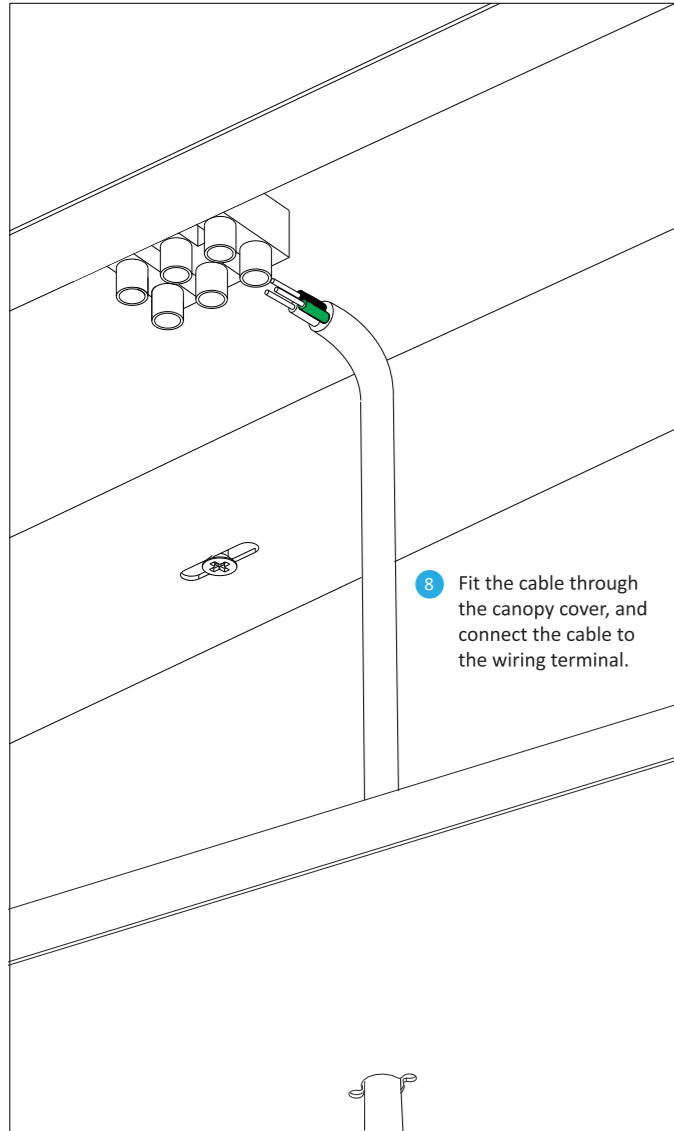
6 Screw on the two machine screws to the mounting holes towards the center.



7 Fit the cable through the bracket and through the canopy (without installing any screws at this point)

Combi pendant

Assembly Instructions Flush mount (with Linear canopy)



Combi pendant

Assembly Instructions Flush mount (with Linear canopy)

