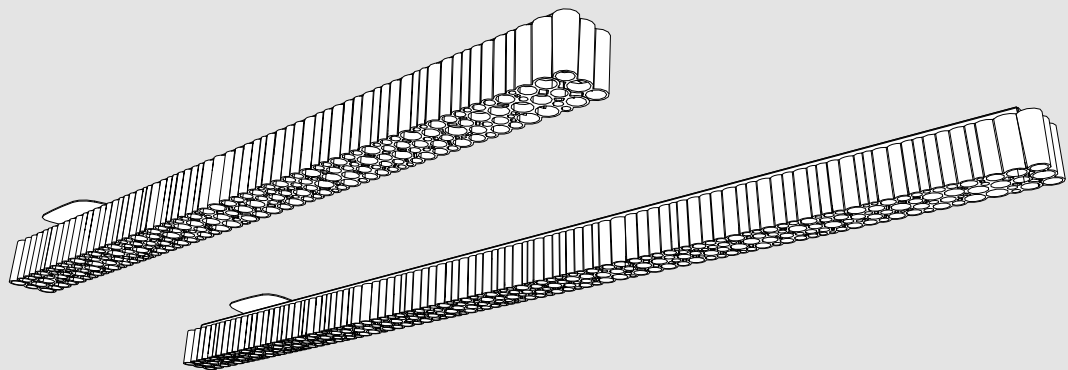
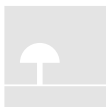


Artemide®

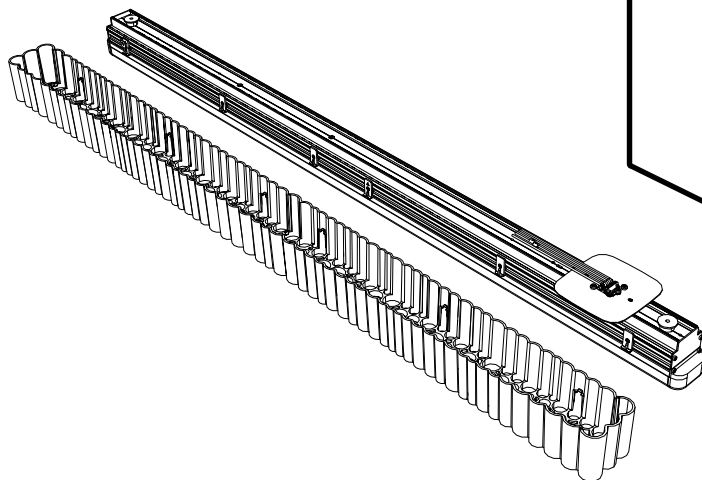
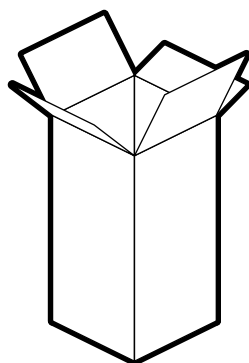
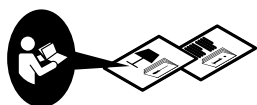
Calipso

design
Neil Poulton

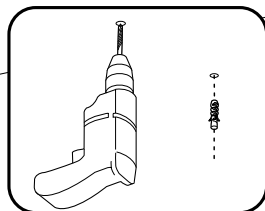
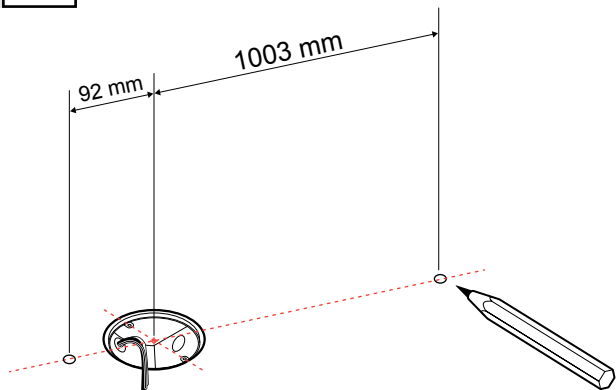




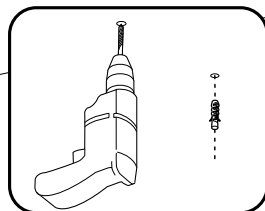
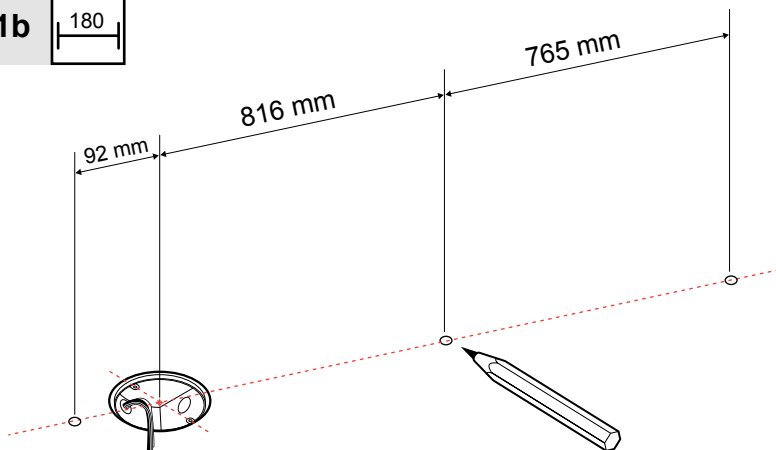
i

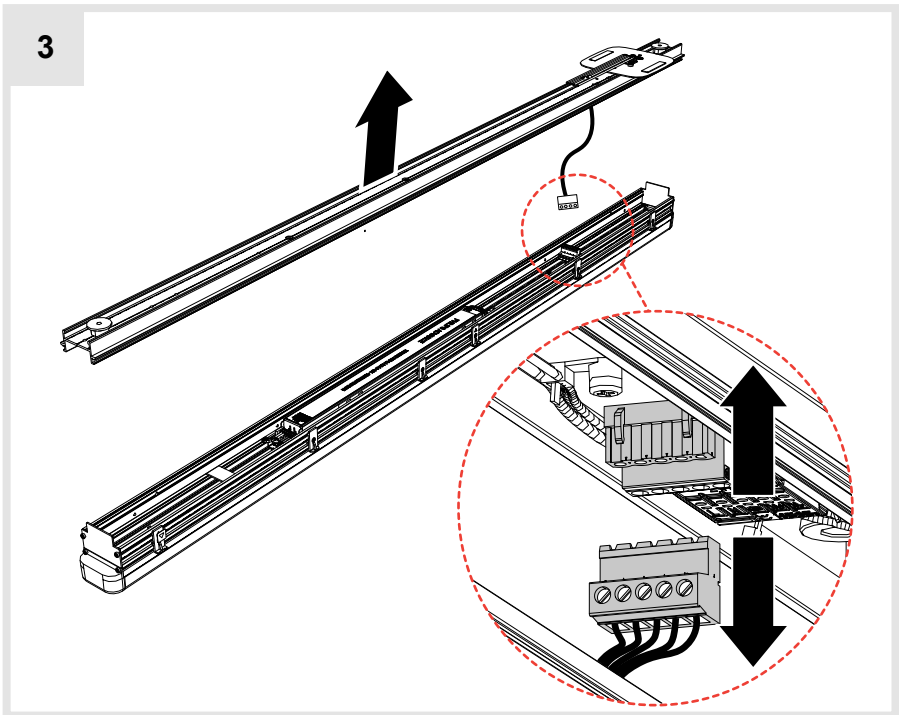
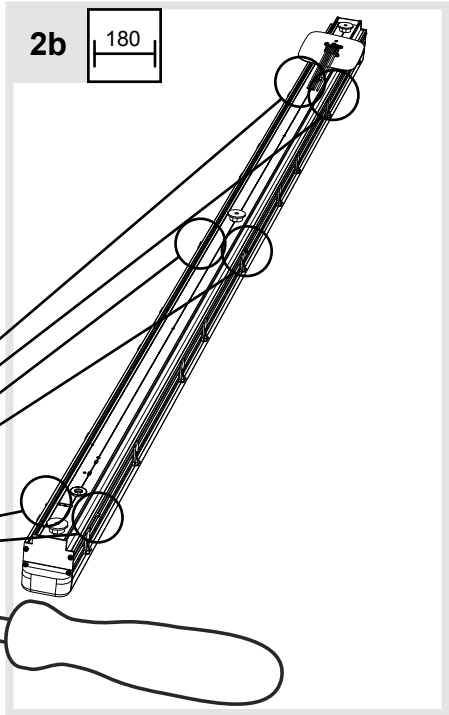
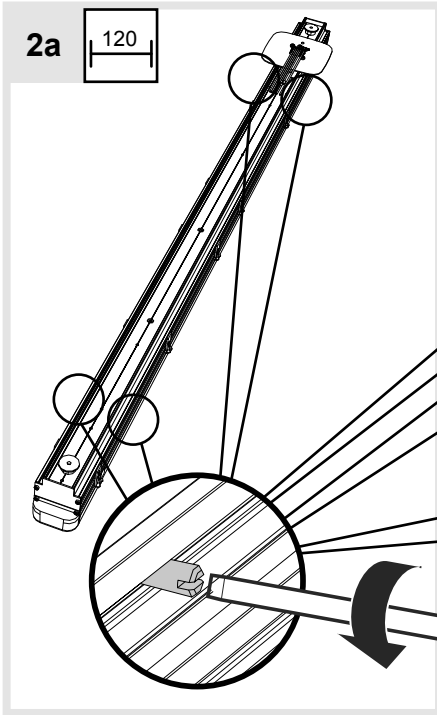


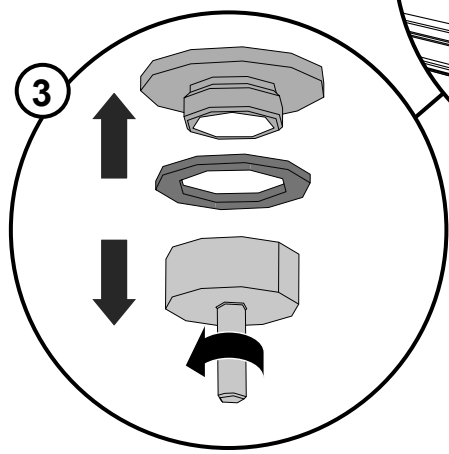
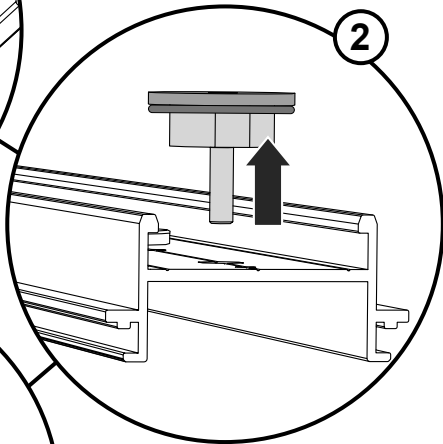
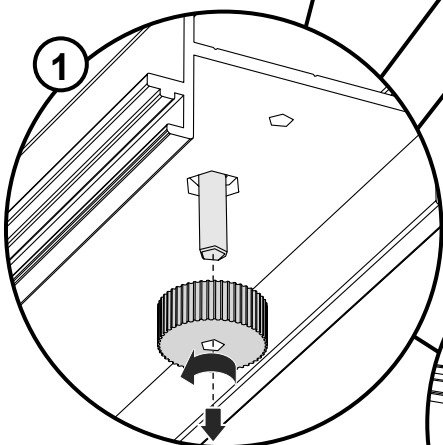
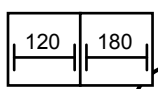
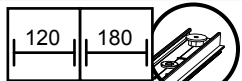
1a



1b

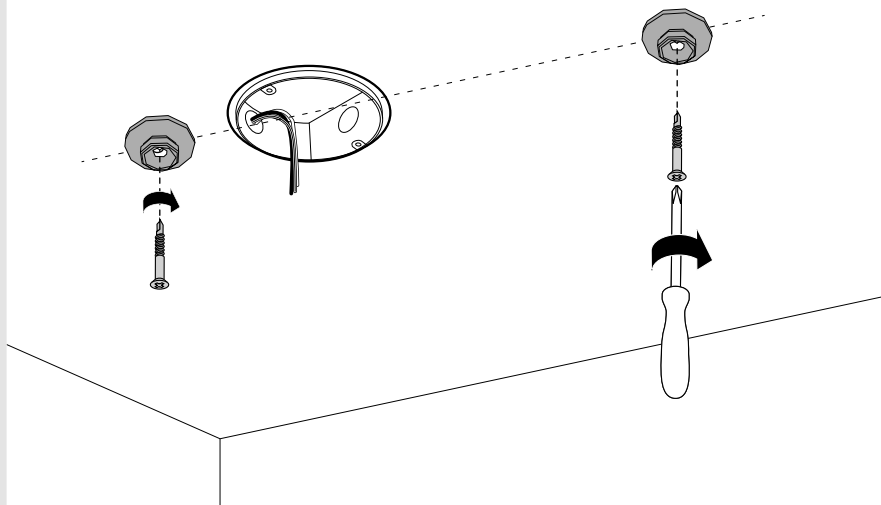






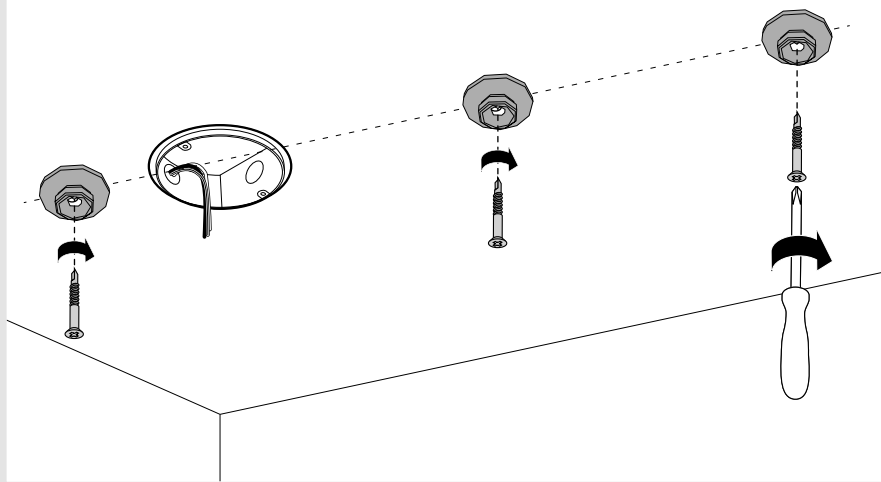
5a

120

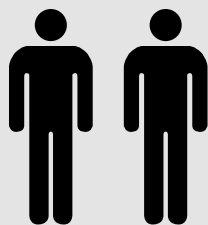
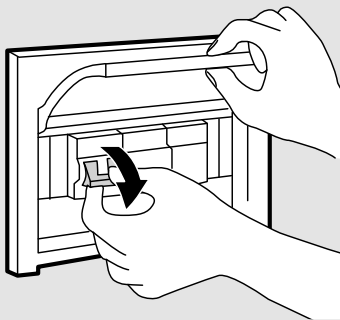
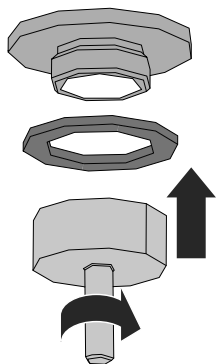


5b

180

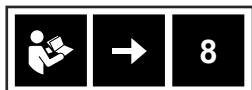
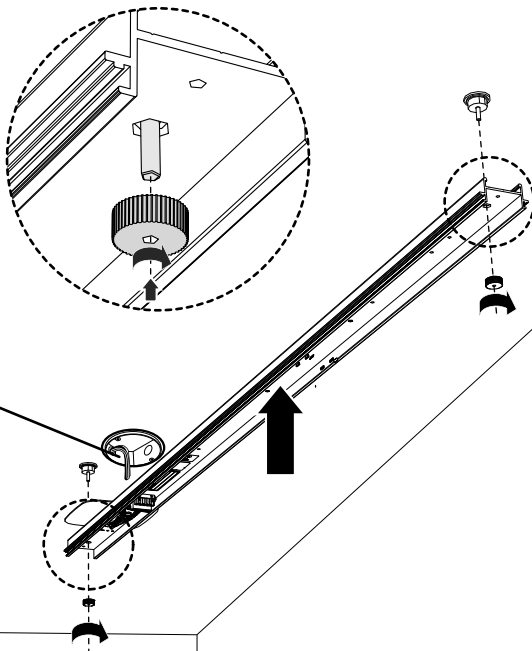


6



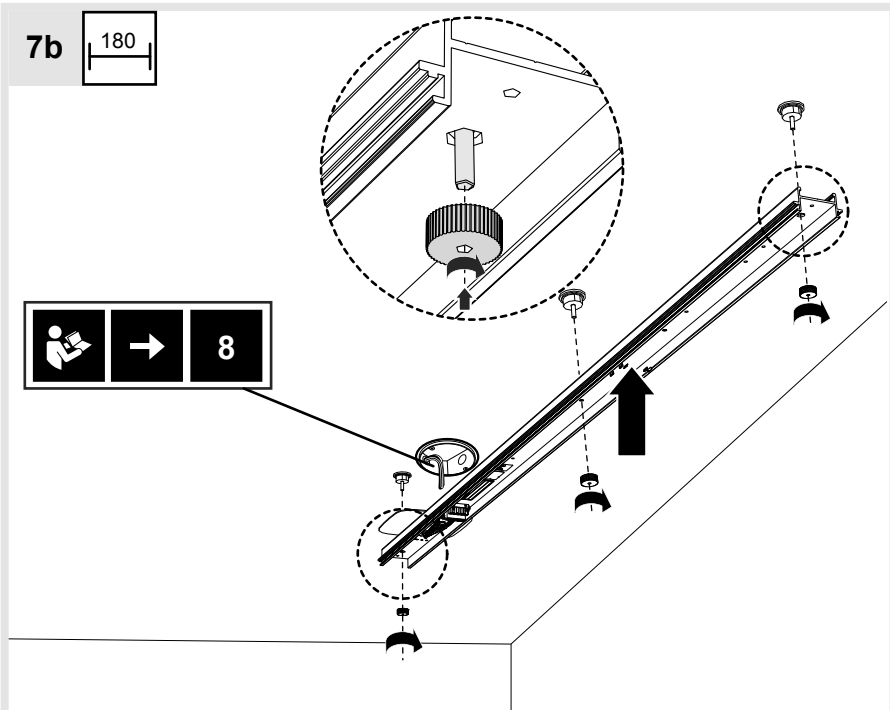
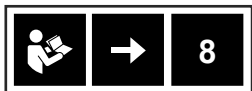
7a

120



7b

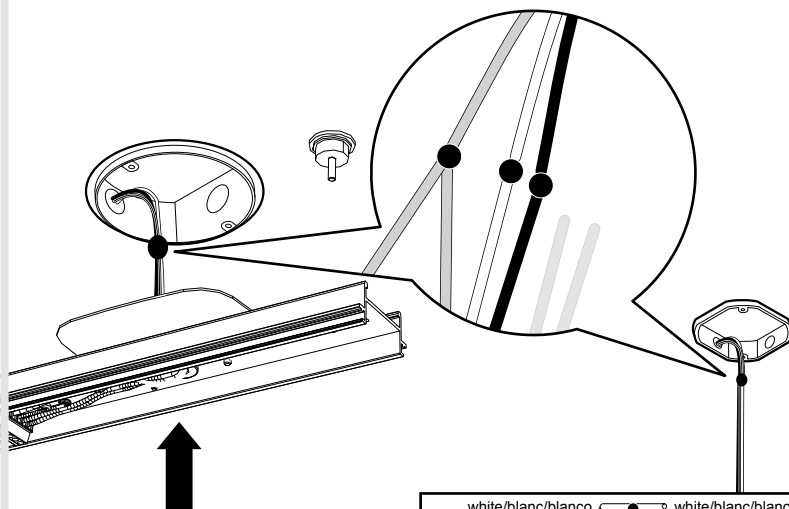
180



8a



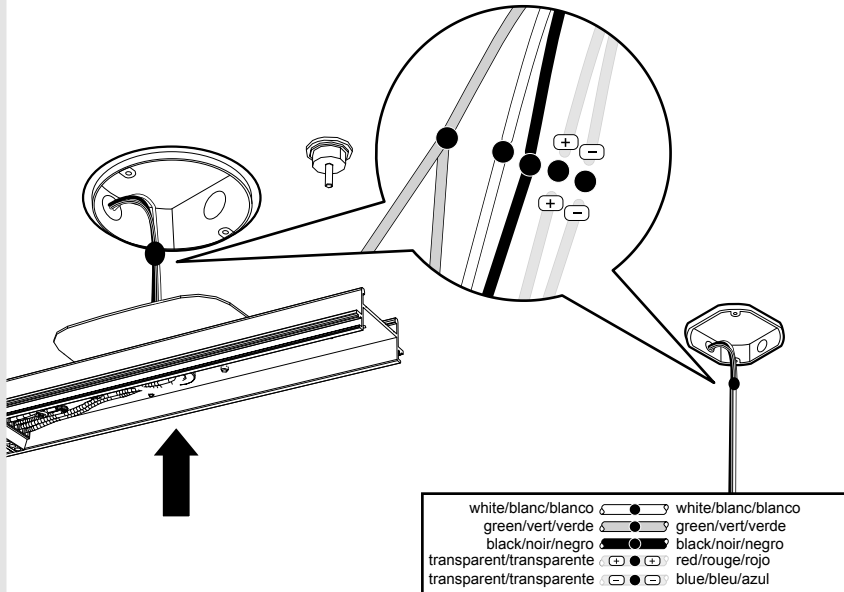
For voltage refer to product label
 Pour la tension consulter l'étiquette du produit
 Para el voltaje consultar la etiqueta del producto



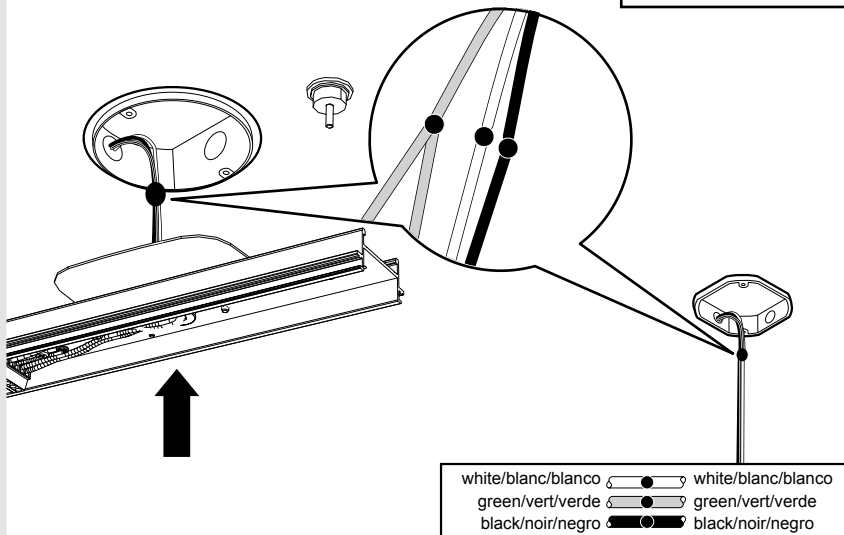
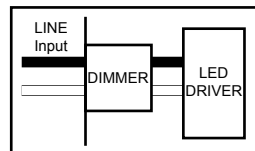
white/blanc/blanco	→ ● →	white/blanc/blanco
green/vert/verde	→ ● →	green/vert/verde
black/noir/negro	→ ● →	black/noir/negro
	⊠	red/rouge/rojo
	⊠	blue/bleu/azul

8b**120-277 V**

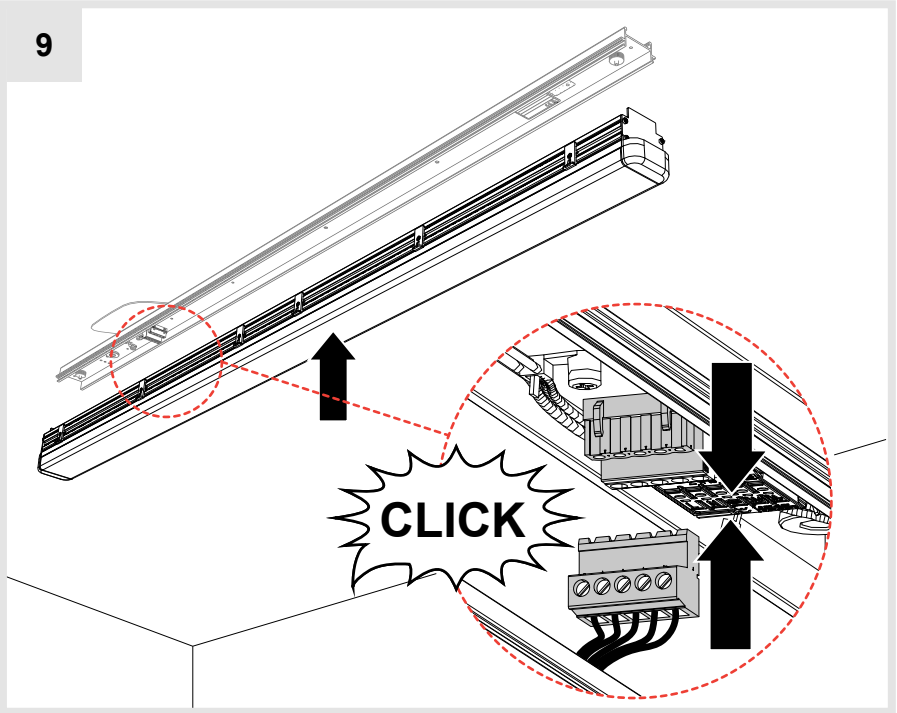
1-10 V dimming control
Dimmable 1-10 V
Regulable mediante control 1-10 V

**8c****120 V**

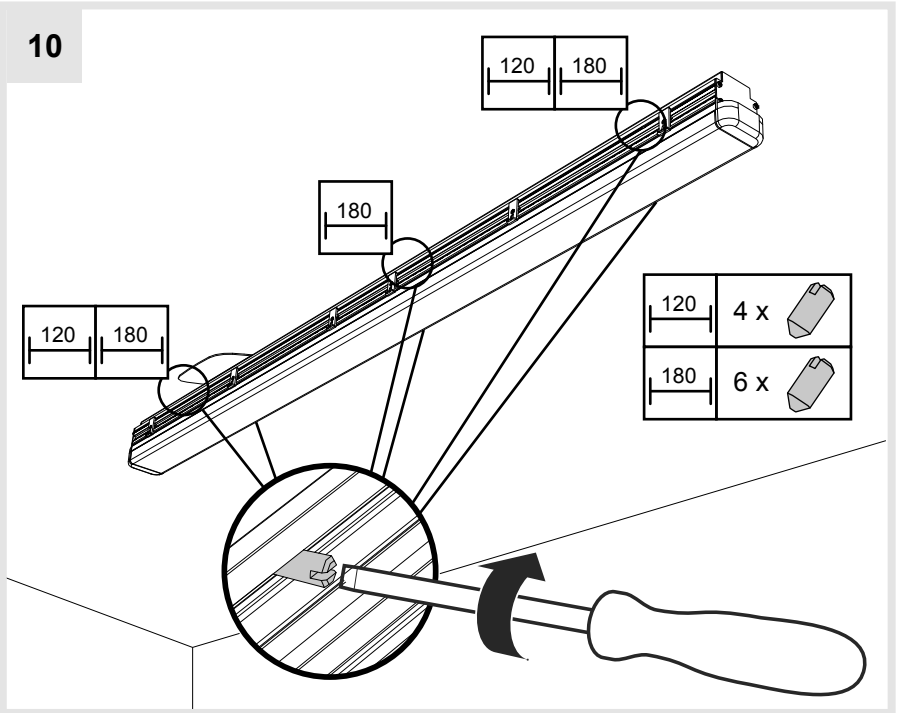
Phase cut
Coupure de phase
Corte de fase



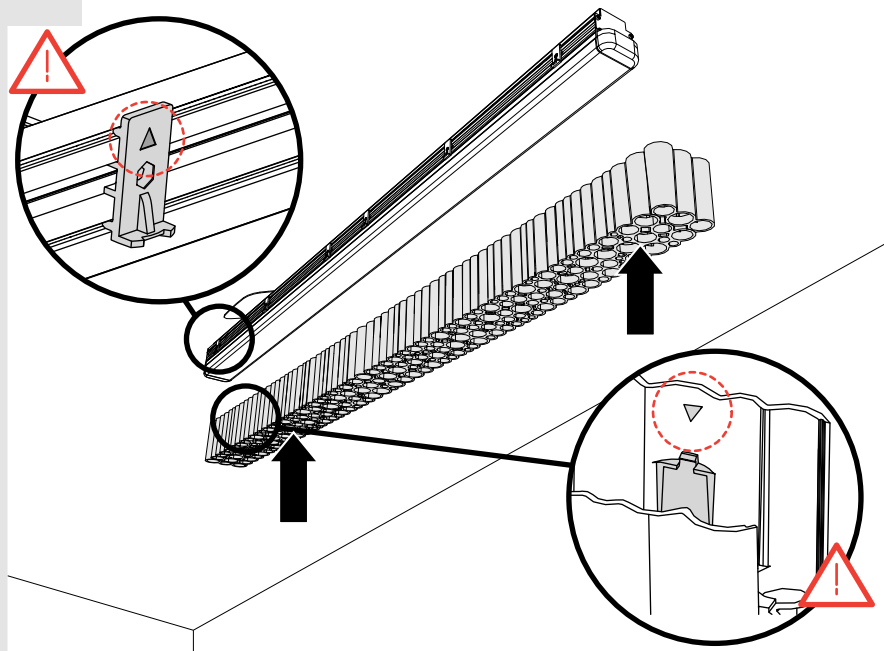
9



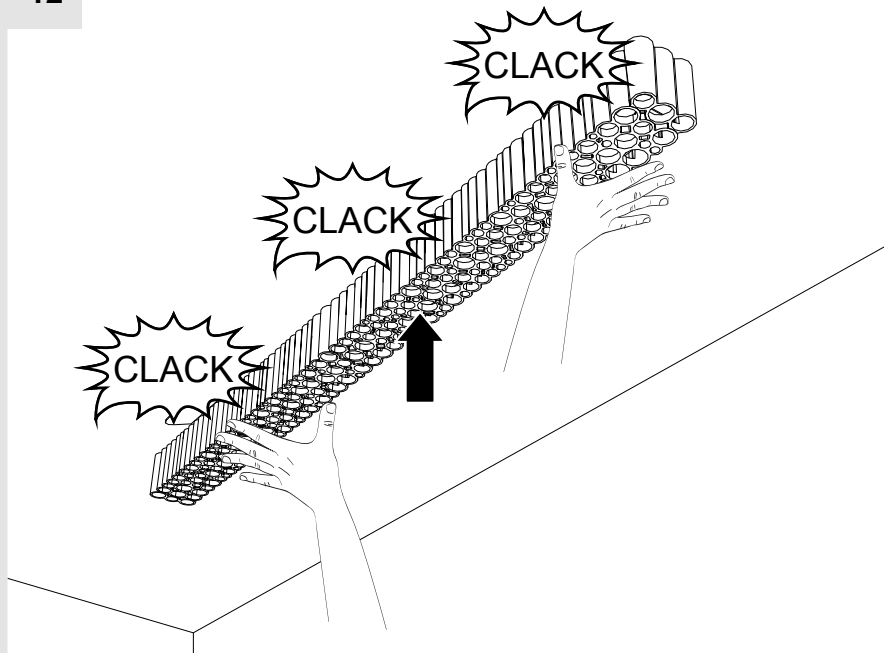
10

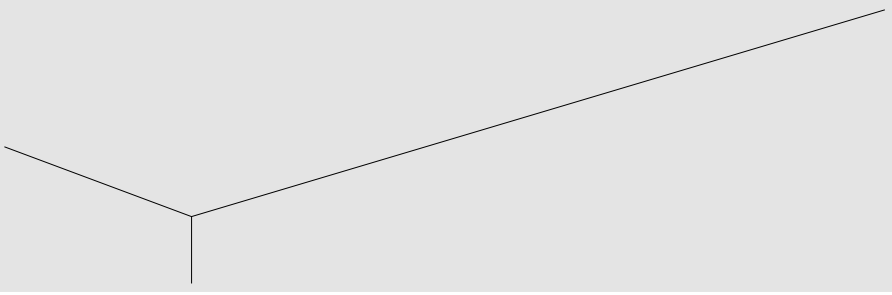
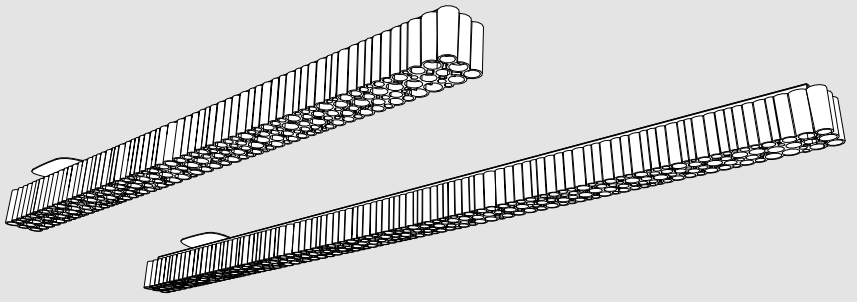


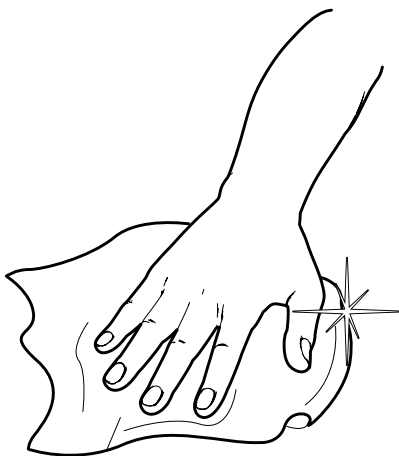
11



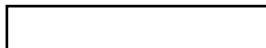
12







Artemide®



Artemide

via Bergamo, 18
20010 Pregnana M.se (MI)
ITALIA

tel. +39 02 935 181
fax +39 02 935 90 254
fax +39 02 935 90 496

www.artemide.com

VAT IT00846890150

Artemide Inc.

250 Karin Lane
Hicksville, NY 11801

Tel. 631 694 9292
Toll Free 1-877-Art-9111
Fax 631 694 9275

www.artemide.net

Artemide Ltée/Ltd.

11105 rue Renaude Lapointe
Montréal, Québec H1J 2T4

Tel. 514 323 6537
Toll Free 888 777 2783
Fax 514 323 8864

www.artemide.net

cod. Y513001226