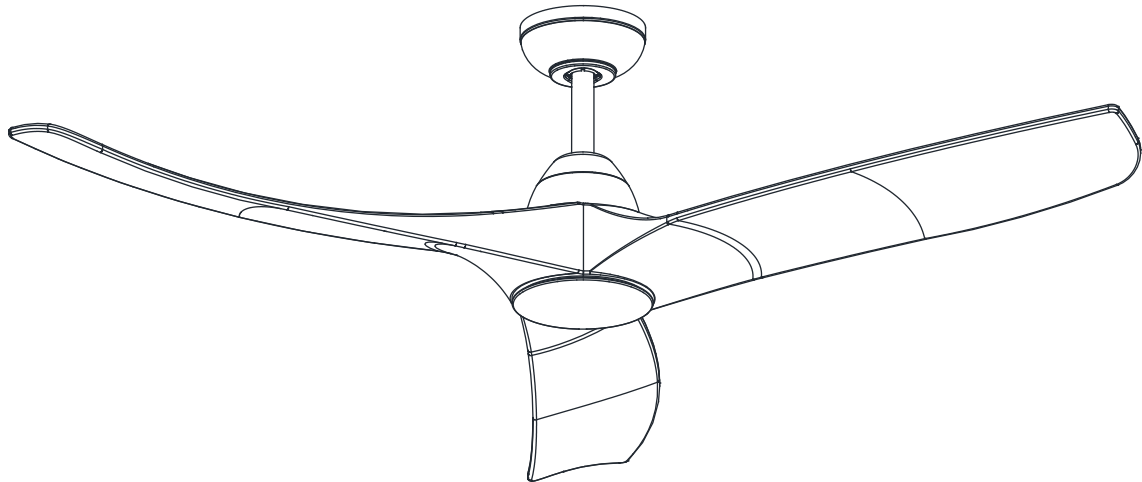


KUZCO

BAYLOR CEILING FAN INSTRUCTION SHEET



MODEL CF77860



Scan this QR code with your phone to view our step by step installation video or visit <https://kuzcolighting.com/fan-resources>.

TF. 1.855.855.8926 | T. 604 538 7162 | F. 604 538 7196

CANADA: 19054 28th Ave., - Surrey, BC V3Z 6M3

USA: 3035 E. Lone Mountain Rd. - Las Vegas, NV 89081

www.kuzcolighting.com

20230505

SAFETY INFORMATION

1. To reduce the risk of electric shock, ensure electricity has been turned off at the circuit breaker or fuse box before beginning.
2. All wiring must be in accordance with the National Electrical Code and local electrical codes. Electrical installation should be performed by a qualified licensed electrician.
3. **CAUTION:** Read all instructions and safety information before installing your new fan. Review accompanying assembly diagrams.
4. **WARNING:** To reduce the risk of electrical shock and fire, do not use this fan with any solid-state fan speed control device.
5. **WARNING:** To reduce the risk of fire, electric shock, or personal injury, mount to UL Listed outlet box marked "acceptable for fan support of 15.9 kg (35 lbs) or less" and use mounting screws provided with the outlet box. Most outlet boxes commonly used for the support of light fixtures are not acceptable for fan support and may need to be replaced. Due to the complexity of the installation of this fan, a qualified licensed electrician is strongly recommended.
6. The outlet box and support structure must be securely mounted and capable of reliably supporting a minimum of 50 pounds.
7. The fan must be mounted with a minimum of 7 feet clearance from the trailing edge of the blades to the floor. The tip of the fan blade to the nearest wall/obstruction: 30 inches.
8. Avoid placing objects in the path of the blades.
9. To avoid personal injury or damage to the fan and other items, be cautious when working around or cleaning the fan.
10. Do not use water or detergents when cleaning the fan or fan blades. A dry dust cloth or lightly dampened cloth will be suitable for most cleaning.
11. After making electrical connections, spliced conductors should be turned upward and pushed carefully up into outlet box. The wires should be spread apart with the grounded conductor and the equipment- grounding conductor on one side of the outlet box.
12. Electrical diagrams are for reference only. Light kits that are not packed with the fan must be UL and cUL Listed and marked suitable for use with the model fan you are installing. Switches must be UL and cUL General Use Switches. Refer to the Instructions packaged with the light kits and switches for proper assembly.
13. **Note:** Suitable for use in damp locations. Use only with light kits marked "Suitable for use in damp locations."
14. Do not wait for the fan to stop before pressing the reverse button. The fan will not reverse direction if the fan is not moving.

WARNING: TO REDUCE THE RISK OF ELECTRIC SHOCK, THIS FAN MUST BE INSTALLED WITH AN ISOLATING WALL SWITCH.

WARNING: TO REDUCE THE RISK OF PERSONAL INJURY, DO NOT BEND THE BLADE ARMS (ALSO REFERRED TO AS FLANGES), WHEN INSTALLING THE BRACKETS, BALANCING THE BLADES OR CLEANING THE FAN.

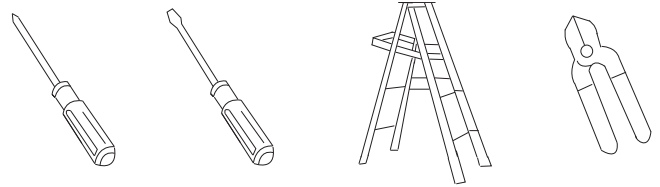
READ AND SAVE THESE INSTRUCTIONS.

PACKAGE CONTENTS

- Safety
- Tools Needed
- Package Contents
- Hardware Included
- Fan Assembly
- Electrical Connections
- Fan Blade Installation
- Light Kit Installation
- Fan Operation
- Care and Cleaning
- Troubleshooting
- Warranty Information

TOOLS NEEDED

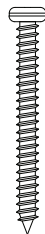
- Phillips screwdriver
- Flathead screwdriver
- Step ladder
- Wire cutter



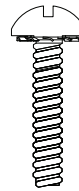
HARDWARE INCLUDED

- Bracket Mounting Hardware
 - wood screws (1a)
 - screws (1b)
 - wire nuts (1c)
 - lock washers (1d)
 - flat washers (1e)

1a.
x3



1b.
x2



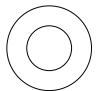
1c.
x3



1d.
x3

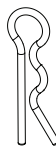


1e.
x3



- Fan Mounting Hardware
 - cotter pin (2a)
 - clevis pin (2b)

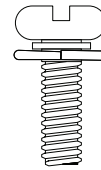
2a.
x1



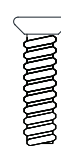
2b.
x1



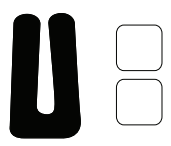
3a.
x7



3b.
x4



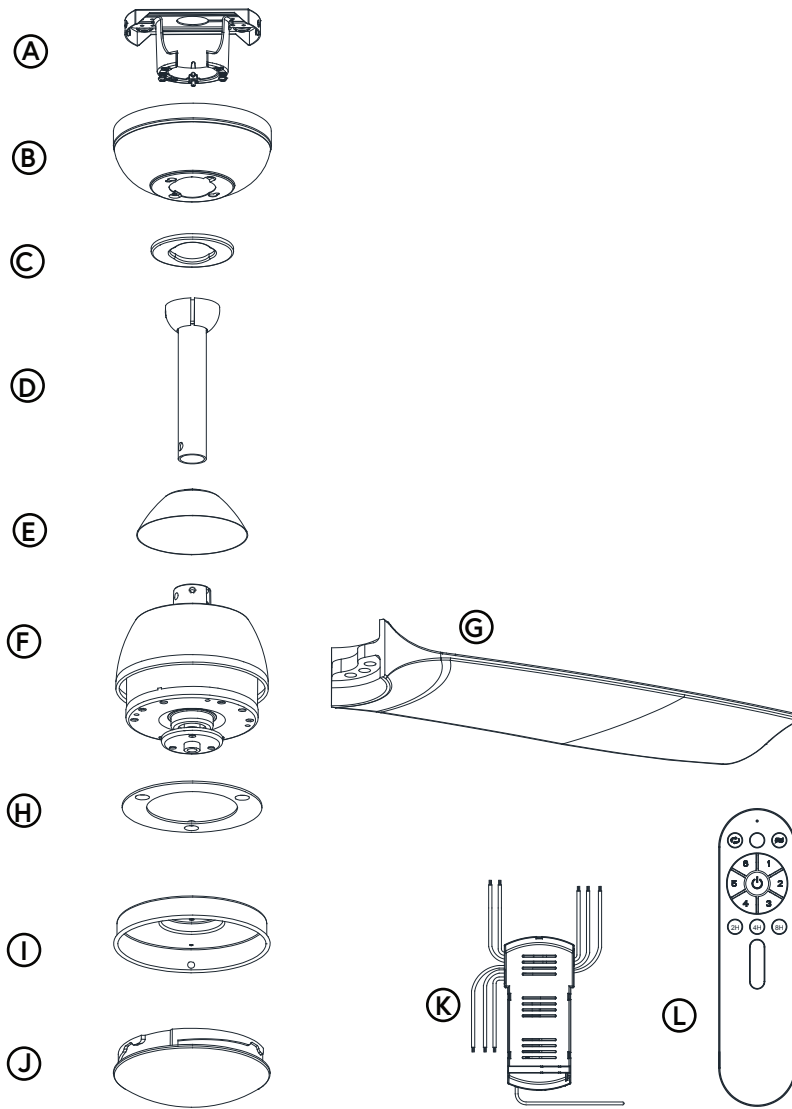
4a.
x1



- Blade Mounting Hardware
 - Blade to motor screws and lockwashers (3a)
 - Blade support plate screws (3b)

- Balance Kit (4a)

PACKAGE CONTENTS



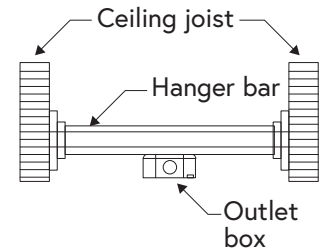
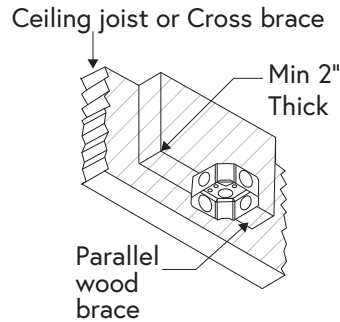
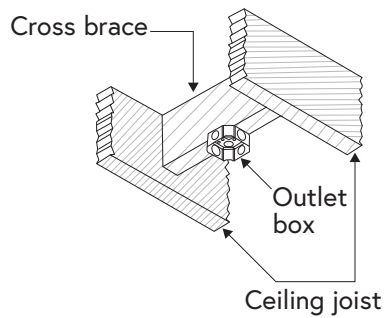
Part	Description	Quantity
A	Mounting bracket	1
B	Canopy	1
C	Canopy screw cover	1
D	Hanger ball/downrod assembly	1
E	Coupling cover	1
F	Fan motor	1
G	Blade	3
H	Blade support plate	1
I	Light kit pan	1
J	No-light cap	1
K	Receiver	1
L	Remote control	1

PREPARING THE MOUNTING HARDWARE

Outlet Box Mounting Options

If there isn't an existing UL Listed octagonal mounting box marked "Acceptable for Fan Support" follow the instructions below. (REMINDER: an electrical junction box for use with luminaires is not acceptable for this application)

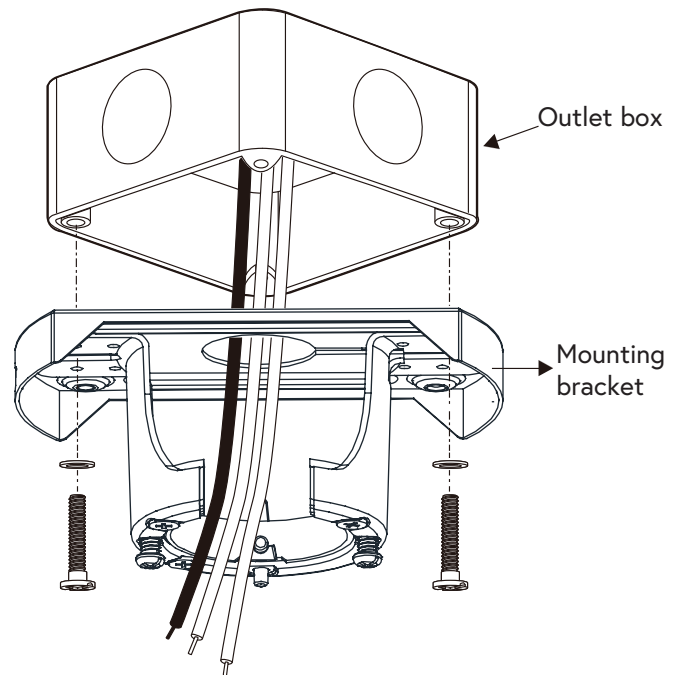
- Before you begin installing the mounting box, shut off the power at the circuit breaker of the fuse box.
- Secure the box directly to the building structure. The figures below show 3 example methods.



INSTALLING THE HANGING BRACKET

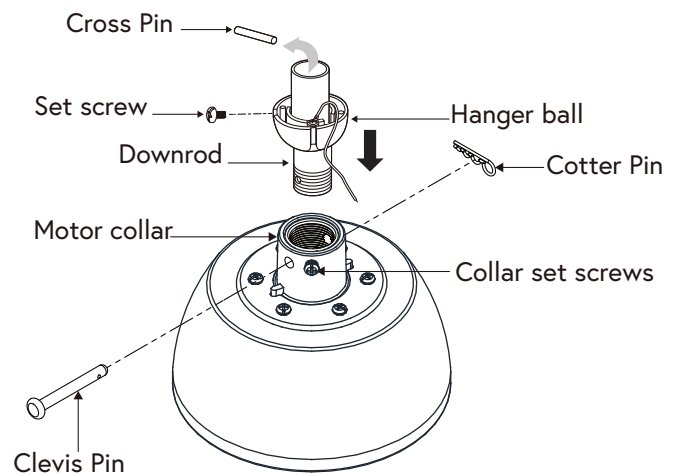
CAUTION: TO AVOID POSSIBLE ELECTRICAL SHOCK, BE SURE ELECTRICITY IS TURNED OFF AT THE MAIN POWER BOX BEFORE WIRING. ALL WIRING MUST BE IN ACCORDANCE WITH NATIONAL AND LOCAL ELECTRICAL CODES AND THE CEILING FAN MUST BE GROUNDED AS A PRECAUTION AGAINST POSSIBLE ELECTRIC SHOCK.

1. Loosen the two mounting screws in the outlet box. Pass the 120-Volt supply wires through the center hole in the slide-on mounting bracket.
2. Slide the slide-on mounting bracket on to the mounting screws and center the slide-on mounting bracket in relation to the outlet box. If necessary, use leveling washers (not included) between the slide-on mounting bracket and the outlet box. The flat side of the slide-on mounting bracket should face toward the outlet box, as shown.
3. Securely tighten the two mounting screws.



PREPARING THE MOTOR

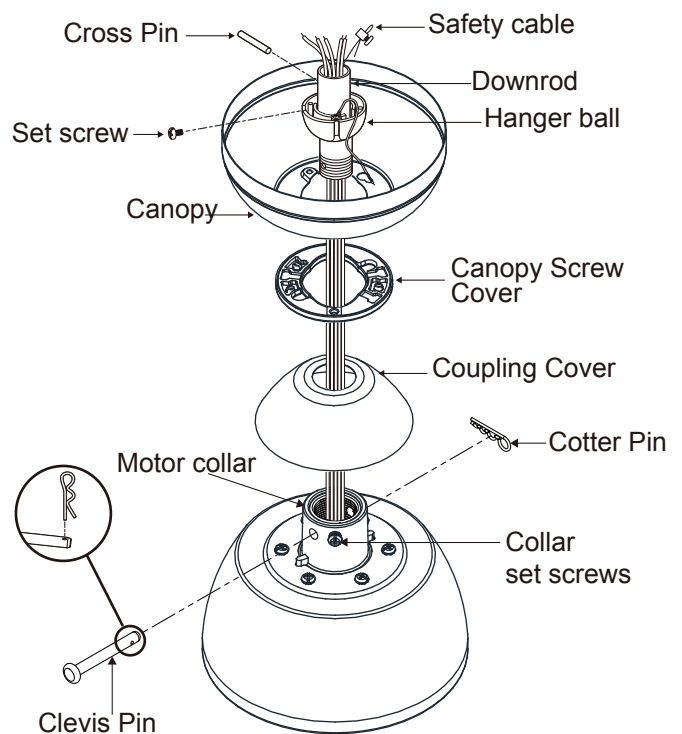
1. Loosen the collar set screws from the motor collar.
2. Take out the set screw located in the hanger ball, lower the hanger ball and remove the cross pin. Remove the hanger ball from the hanger ball/downrod assembly.



ASSEMBLING THE FAN

WARNING: Failure to properly install the cotter pin could result in the fan becoming loose and possibly falling.

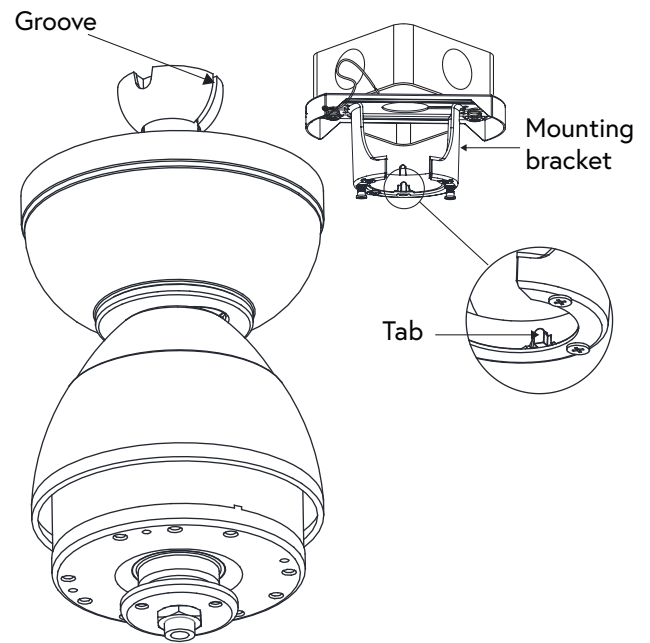
1. Carefully feed the motor wires and safety cable up through the downrod. Thread the downrod into the collar until the holes at the bottom of the downrod align with the holes in the collar.
2. Carefully insert the clevis pin through the holes in the collar and downrod. Insert the cotter pin through the hole near the end of clevis pin until it snaps into its locked position.
3. Slip the coupling cover, the canopy screw cover, and the canopy onto the downrod.
4. Carefully reinstall the hanger ball onto the downrod. Being sure that the cross pin is in the correct position, the set screw is tightened and wires are not twisted.



HANGING THE FAN

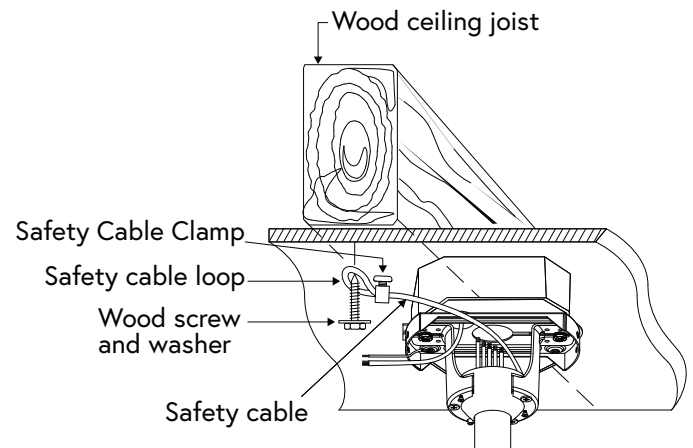
WARNING: The tab in the ring must rest in the groove of the hanger ball/downrod assembly. Failure to properly seat the tab in the groove could cause damage to the wiring.

1. Carefully lift the fan motor assembly up to the mounting bracket and seat the hanger ball/downrod assembly in the mounting bracket socket. Make sure the tab on the mounting bracket socket is properly seated in the groove in the hanger ball/downrod assembly. This will help to balance the ceiling fan.



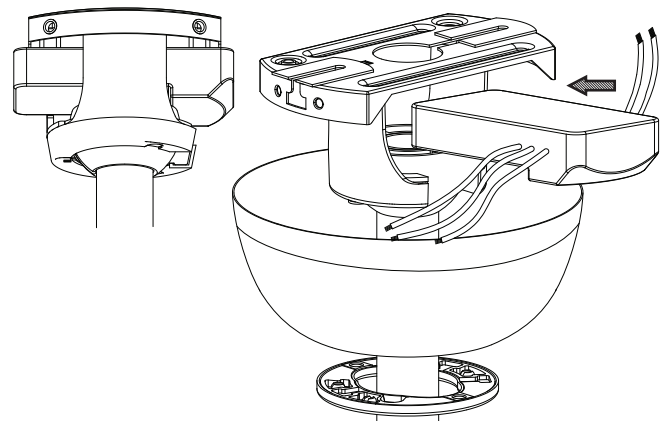
INSTALLATION OF THE SAFETY CABLE SUPPORT

1. Attach the wood screw and the flat washer to the ceiling joist as shown (do not fully tighten). Slide the cable clamp onto the safety cable from the fan. Loop the safety cable around the wood screw that was just attached to ceiling joist. Feed the end of the cable into the clamp and pull as much cable through as possible. Firmly tighten screw in the clamp. Cut off excess cable.



INSTALLING THE RECEIVER

1. Position the house supply wires to one side of the slide-on mounting bracket; position the fan wires to the opposite side.
2. Insert the receiver (as shown, flat side toward ceiling) into the slide-on mounting bracket until it rests on top of the ball/downrod assembly.



ELECTRICAL CONNECTIONS

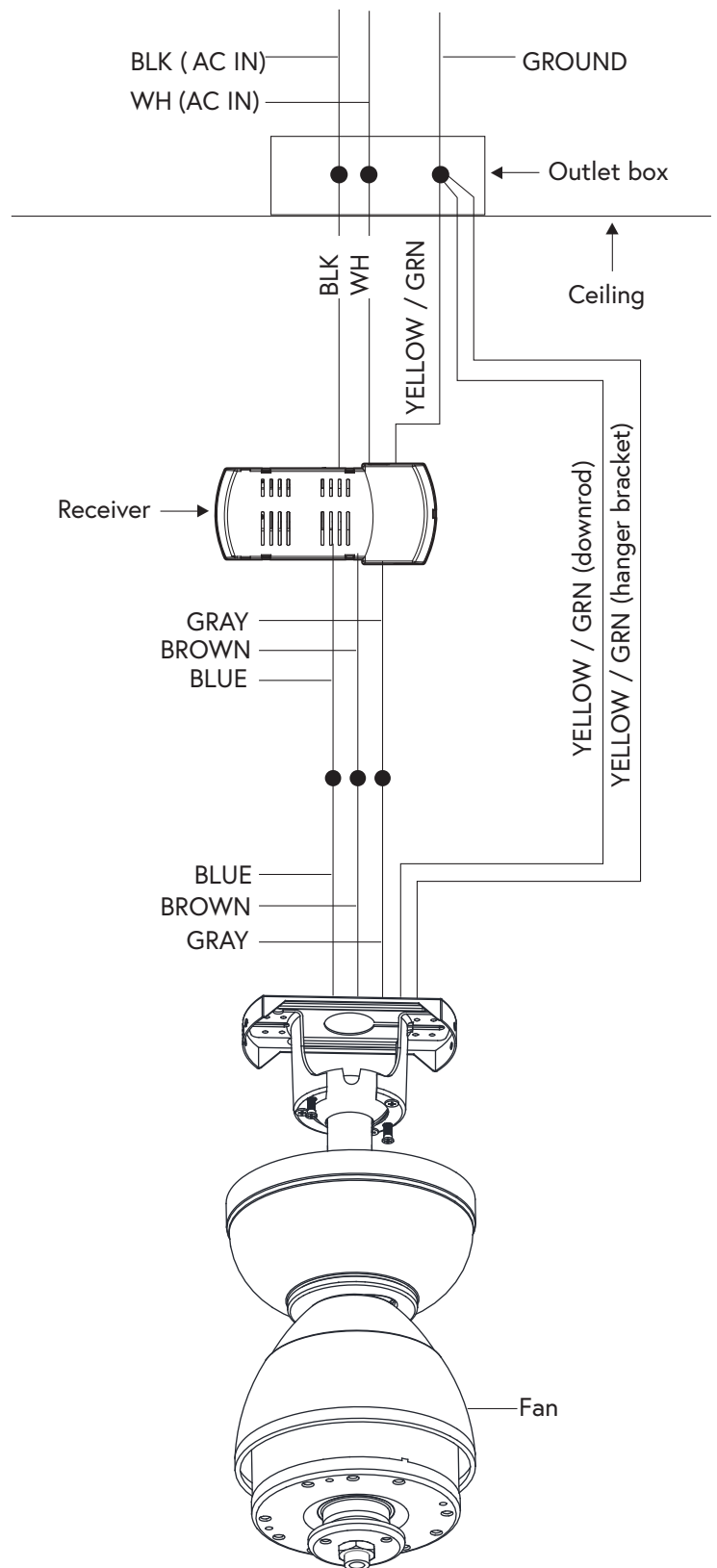
WARNING: To avoid possible electrical shock, be sure electricity is turned off at the main fuse box before installation.

WARNING: Check to see that all connections are tight, including ground, and that no bare wire is visible at the wire nuts, except for the ground wire.

CAUTION: To reduce the risk of electric shock, this fan must be installed with an isolating, general-use wall control/switch.

NOTE: Control must be installed within 30 feet of fan.

1. Make wire connections from the fan to the receiver unit.
For this step use the bundle of 3 wires on the receiver.
 - Connect the **BLUE** fan wire to the **BLUE** receiver wire.
 - Connect the **BROWN** fan wire to the **BROWN** receiver wire.
 - Connect the **GRAY** fan wire to the **GRAY** receiver wire.
2. Connect the wiring from the ceiling to the receiver unit.
For this step use the bundle of 2 wires on the receiver. Secure with supplied wire nuts.
 - Connect the **BLACK** building supply wire to the **BLACK** receiver wire.
 - Connect the **WHITE** receiver neutral wire to the **WHITE** building neutral wire.
 - Connect the **COPPER** building ground wire to the 2 **GREEN** ground wires from the fan and receiver.

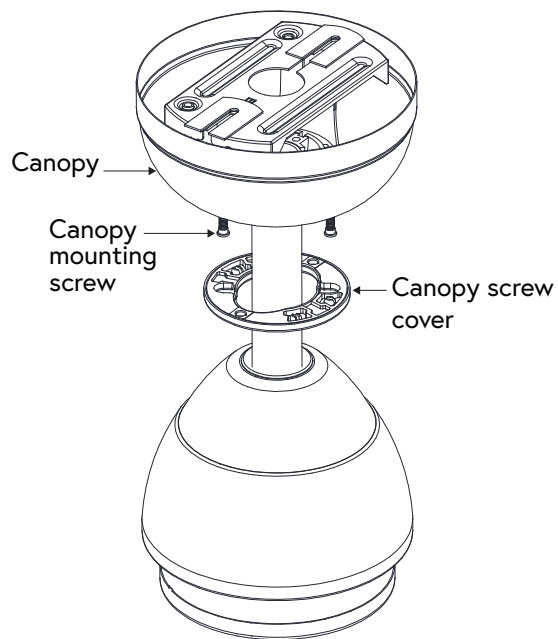
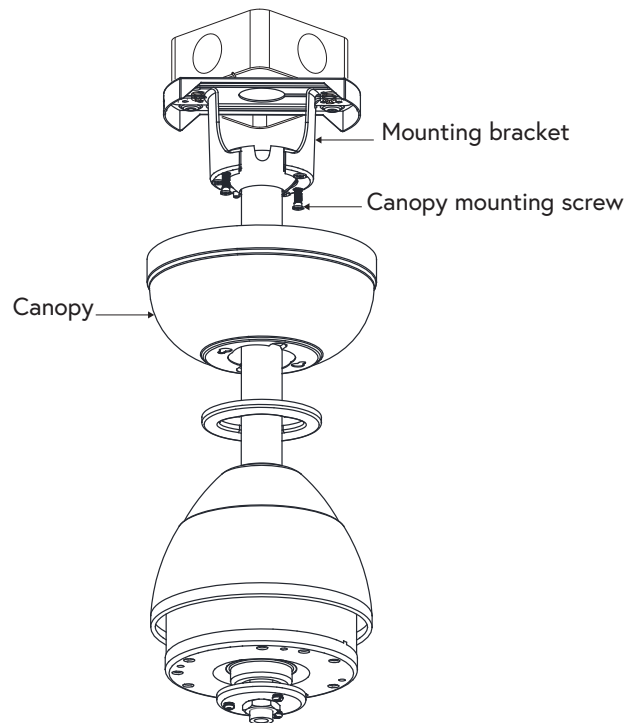


INSTALLING THE CANOPY

WARNING: When using the standard ball/downrod mounting, the tab in the ring at the bottom of the mounting bracket must rest in the groove of the hanger ball. Failure to properly seat the tab in the groove could cause damage to the wiring.

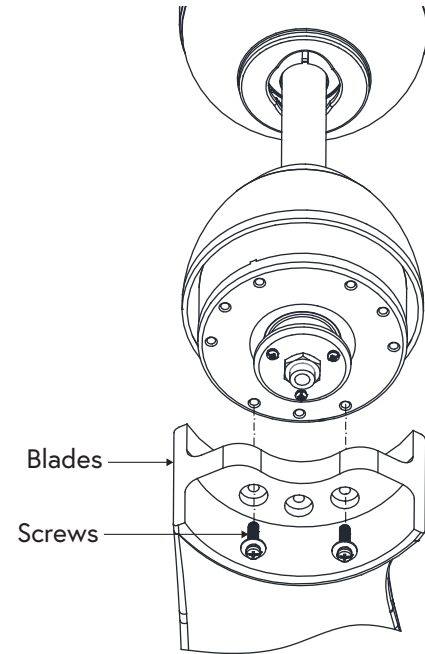
NOTE: The magnet is pre-attached on the canopy bottom cover for you to remove and install easily.

1. Align the locking slots of the canopy with the two screws and alignment post (in the slide-on mounting bracket).
2. Push up the canopy and turn it until the alignment post engages to the round hole and the screws engage to the key slots.
3. Firmly tighten the two mounting screws.
4. Align the oval shape on the canopy with canopy bottom cover.
5. Push up the canopy bottom cover until the screw heads engage to the slots on the canopy bottom cover so that the magnetic canopy bottom cover can be attached to the bottom of the canopy properly.



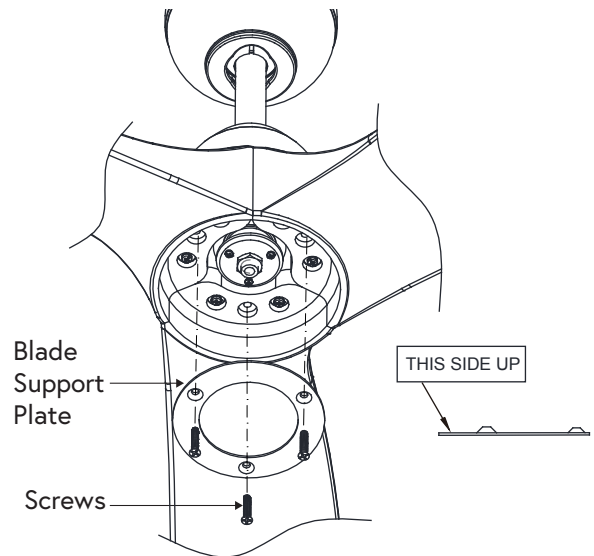
INSTALLING THE BLADES

1. Fasten the blade to the fan motor assembly by aligning the two side holes of blade and the holes of bottom of the motor and securing with blade attachment screws.
2. Make sure all the blade attachment screws are firmly tightened.
3. Repeat this step for the remaining blades.



INSTALLING THE BLADE SUPPORT PLATE

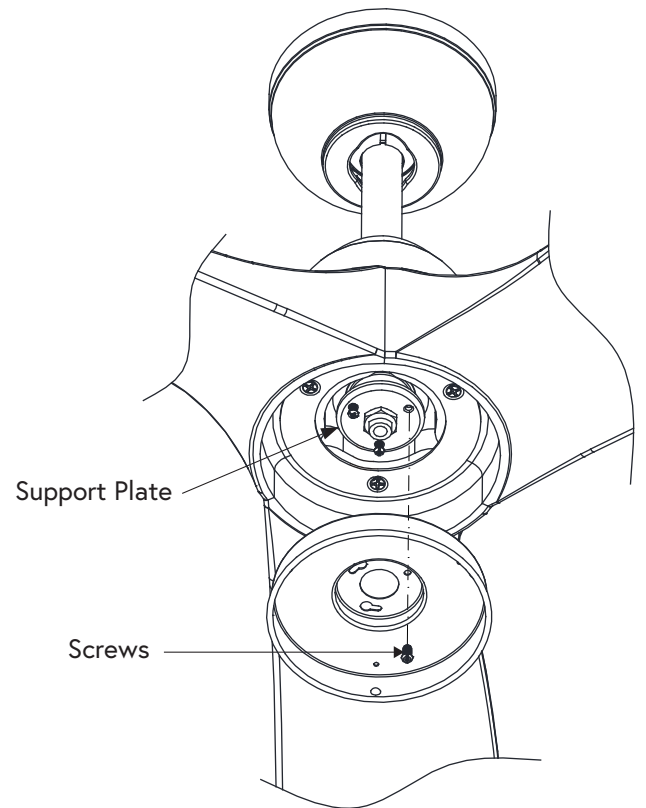
1. Fasten the blade support plate to the fan motor assembly by aligning the three holes of blade and the three holes on the blade support plate and securing with blade support plate attachment screws.
2. Make sure all the blade support plate attachment screws are firmly tightened.



INSTALLING THE LIGHT KIT PAN

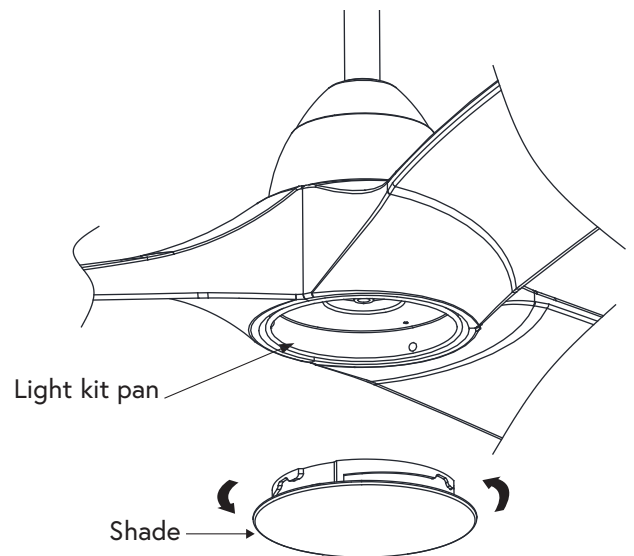
CAUTION: To reduce the risk of electrical shock, disconnect the electrical supply circuit to the fan before installing the light pan.

1. Loosen but do not remove two of three mounting screws from the fan motor assembly; Remove one mounting screw.
2. Push the light kit pan up to the fan motor assembly so that the two loosened screw heads fit into the keyhole slots. Turn the light kit pan, tighten the screws.
3. Re-install the screw that was removed in step 1 and tighten firmly.



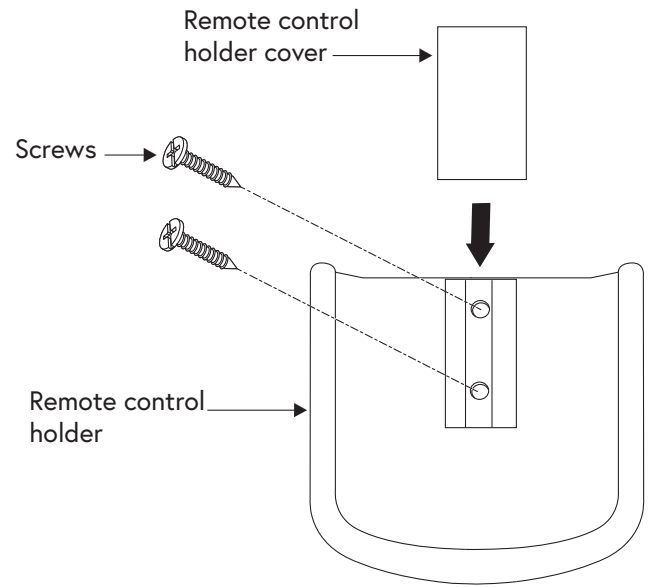
INSTALLING THE NO-LIGHT CAP

1. Place the no-light cap into the light kit pan, aligning the three flat areas on the top of the no-light cap with the three raised dimples in the light kit pan. Turn the no-light cap until it stops.



INSTALLING THE REMOTE CONTROL HOLDER

1. Remove the remote control holder cover from the remote control holder.
2. Attach the remote control holder with the two remote control holder mounting screw provided.
3. Replace the remote control holder cover into remote control holder.



OPERATION

IMPORTANT: If you have two or more fans, please follow steps below to control each fan independently. Also follow steps below to re-pair the remote and the receiver when needed.

Install battery (included). To prevent damage to transmitter, remove the battery if not used for long periods of time.

1. 1-6 buttons:

These six buttons are used to set the fan speed as follows:

- 1 = minimum speed
- 6 = maximum speed

2.  button:

This button turns the fan off.

3.  button:

This button turns on "breeze" option.

4.  button:

This button sets fan direction forward or reverse.

5. 2h, 4h and 8h buttons:

These three buttons are used to set the fan timer as follows:

- 2h = 2 hour timer
- 4h = 4 hour timer
- 8h = 8 hour timer

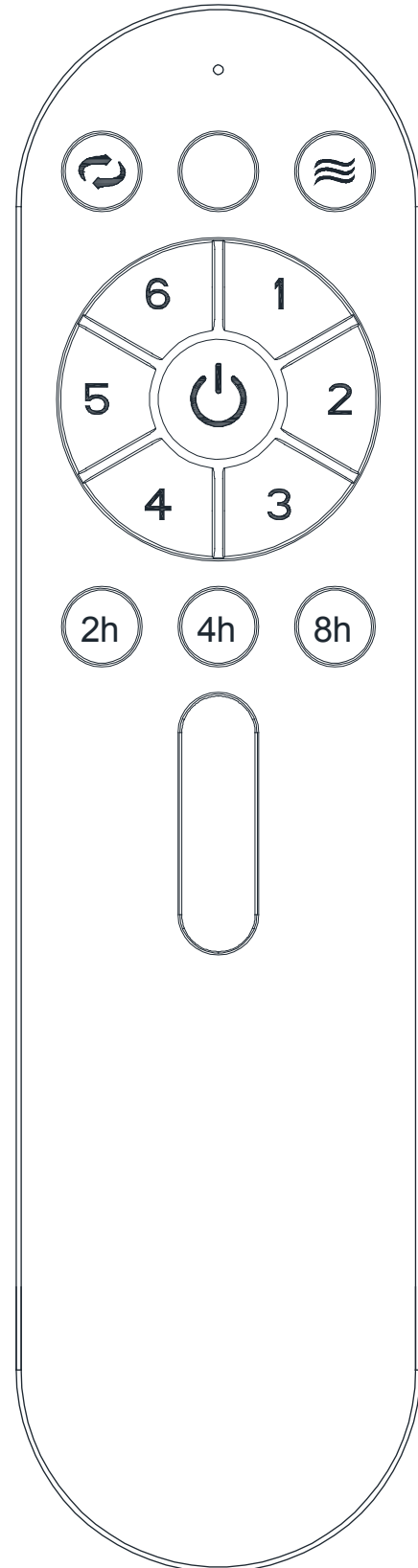
SET code setting button:

Follow the below steps to set the remote control:

- With the fan's power off, Press and release the "Learn" button located in the remote's battery compartment within 30 seconds of turning the electrical power to the fan on.

If pairing is successful, the blades will begin to spin and will turn off within 30 seconds.

NOTE: If the self calibration test failed, turn the AC power off; restore power and process the self calibration test again.



OPERATION (continued)

NOTE: The learning frequency function and self calibration test will continue to retain the last set frequency and calibration set even when the AC power is shut off. If the frequency is changed the self calibration test will occur again.

This receiver provides the following protective function:

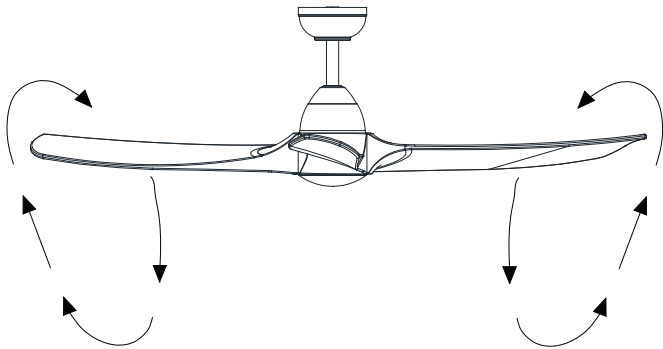
1. **Lock Rotor Position:** The DC motor has a built-in safety against a stalled or locked rotor condition (stalled blade rotation). If there is an obstruction or fault with the motor, the current monitoring function will automatically turn power off to the motor after 30 seconds. Remove the obstruction and turn the AC power off. Restore power and re-start fan motor.
2. **Over 80W protection:** When the receiver detects motor power consumption which is greater than 80W, the receiver power will be stopped and operation will immediately discontinue. Wait for 5 seconds and then turn the receiver power back on.

Summer Mode and Winter Mode Operation

Speed settings for warm or cold weather depend on factors such as room size, ceiling height and number of fans.

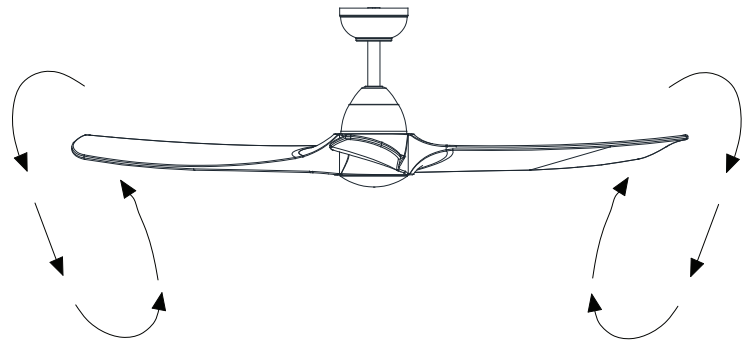
Summer Mode (forward):

A DOWNWARD airflow creates a cooling effect. This allows you to set your air conditioner on a warmer setting without affecting your comfort.



Winter Mode (reverse):

A UPWARD airflow moves warmer air off the ceiling area. This allows you to set your heating unit on a cooler setting without affecting your comfort.



OPERATING CEILING FAN WITH THE BOND APP

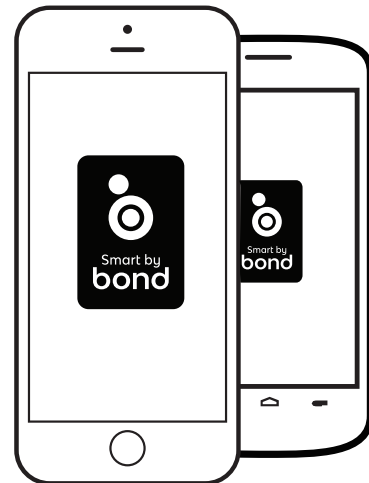
1. Download the BOND HOME app

- Using your smart device, navigate to the application store (Apple App Store or Google Play). Download the free BOND Home app and create an account.

2. Connect to the BOND receiver

NOTE: Confirm that your smart device (phone/tablet) is connected to your WiFi network before proceeding.

- Ensure the fan and receiver are receiving power from the house supply by using the remote control to turn the fan and light on and off.
- Open the BOND Home app on your smart device and follow the instructions included in the app to add your fan.



CARE AND CLEANING

- Periodically it may be necessary to re-tighten blade to blade arm screws or blade arm to motor screws to prevent clicking or humming sound during operation. This is especially true in climates with broad temperature and humidity ranges.
- When dusting the blades, you must support the blade to prevent bending - no pressure should be applied to the blades. If you experience any flaws in the operation of your fan, please check the following points.

TROUBLESHOOTING

PROBLEM	SOLUTION
FAN WILL NOT START	<ol style="list-style-type: none">1. Check circuit fuses or breakers.2. Check wall control LED indicator light. If LED is not illuminated when pushing a button, it is not transmitting a signal. Please check battery, power to wall control/circuit breaker and all electrical connections.3. Assure there are no more than 2 fans operating on a circuit through the wall control. Assure that there are no more than 12 fans operating on a circuit through an on/off wall switch or a breaker (not through a wall control).4. Assure that the fan is within range of the wall control (30 ft.).
FAN SOUNDS NOISY	<ol style="list-style-type: none">1. Allow a 24-hour "breaking-in" period. Most noise associated with a new fan will disappear during this time.2. Make sure all motor housing screws are securely fastened.3. Make sure the screws that attach the fan blade to the fan are tight.4. Make sure your ceiling box is secure and rubber isolator pads are used between the mounting bracket and outlet box.
FAN WOBBLER	<ol style="list-style-type: none">1. Check that all blade to motor and blade arm screws are secure.2. If the blade wobble is still noticeable, interchanging two adjacent (side by side) blades can redistribute the weight and possibly result in smoother operation.3. Make sure the mounting plate is securely fastened to the ceiling outlet box.4. Make sure ceiling box is secure.

KUZCO GROUP CEILING FAN LIFETIME LIMITED WARRANTY

Kuzco Group products are warranted against defects in materials and construction, subject to conditions and exclusions, for a period of one (1) year from the date of product shipment to the customer. Kuzco Group warrants the original owner that the motor in the fan will be free from defects for the lifetime of the fan. This warranty does not apply to fans which have been damaged because of improper installation, removed from the original installation or subjected to use for which the fan was not designed. The customer is responsible for any cost of removing the old fan, installing a new fan or any other costs. This limited lifetime warranty is in lieu of all other expressed warranties. Kuzco Group shall not be liable for any incidental or consequential damages.

Below is a detailed list of items warranted:

PART	RESIDENTIAL USE	COMMERCIAL/HOSPITALITY USE
Motor	Lifetime	Lifetime
Integrated LED Components	1 year	1 year
LED Bulbs	1 year	1 year
Blades, Controls, Switches, Capacitors, Hardware	1 year	1 year

What is covered?

- Parts that arrive damaged
- Parts missing from the box
- Parts that do not function properly
- Parts that have ceased proper functioning within warranty limits

What is not covered?

- Installation costs
- Parts worn down with regular usage
- Parts damaged in installation
- Modified parts
- Parts out of warranty

WARRANTY APPLIES ONLY TO ORIGINAL PURCHASER FROM AN AUTHORIZED KUZCO GROUP DISTRIBUTOR.

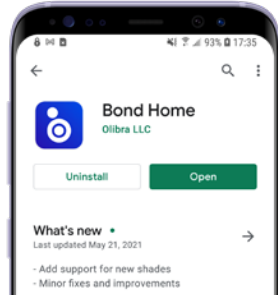


How to

Activate your Smart Fan on a Android device

Step 1

Using your smart device, scan the QR code below to go to the application Store to download the free Bond Home app.



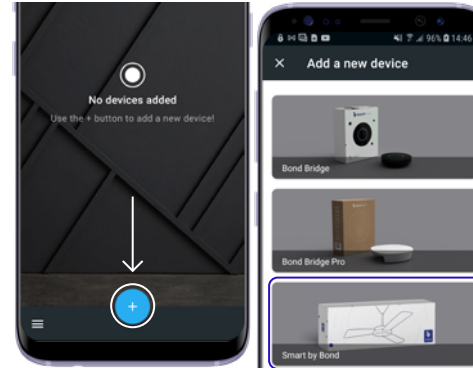
Step 2

Check that your fan and receiver are securely connected to the house supply: Using your fan's remote control, turn the fan and the light on and off.

Step 3

Open the Bond Home App on your mobile device and follow the step-by-step instructions in the app to add your ceiling fan.

- Create an account or login to your existing account.
- You will be prompted to allow permissions to the Bond Home App. These permissions are needed to set up new devices.
- Select "+" to add a new device
In the bottom
- Select the "Smart by Bond" ceiling fan option.

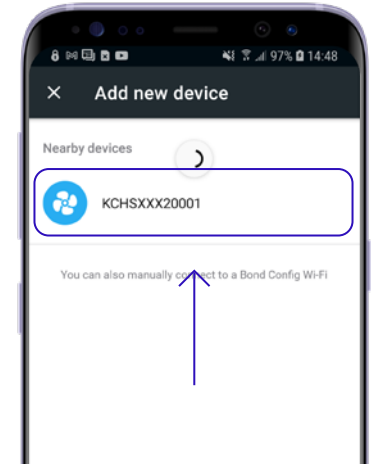


Step 4

Follow the prompt to go to your device's settings and connect to the Bond Config Wi-Fi network.

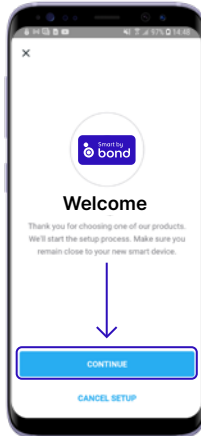
If you do not see the Bond Config Wi-Fi network listed, press and hold the power button on your ceiling fan's remote control for 10 seconds. Additionally, you can try refreshing your Wi-Fi list.

Go back to the Bond Home app.



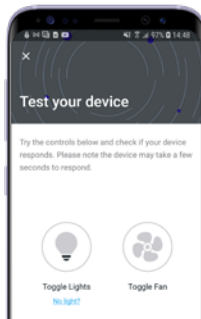
Step 5

A confirmation will appear on-screen to let you know that your ceiling fan has been successfully connected to the Bond Home App. Click CONTINUE to proceed with setting up your ceiling fan.



Step 6

Test your ceiling fan according to the app's prompts to toggle the fan and lights.

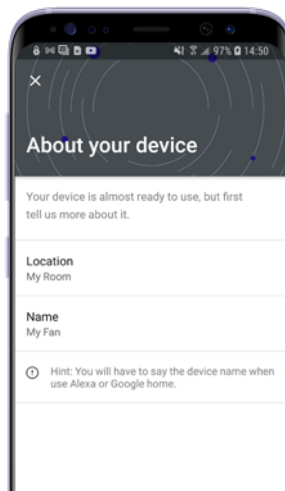


Step 7

Name your ceiling fan:

- Choose a location from the predefined list or add your own location.
- Choose a device name.

This name will be used for integrations and voice commands, so we recommend choosing a simple and descriptive name.

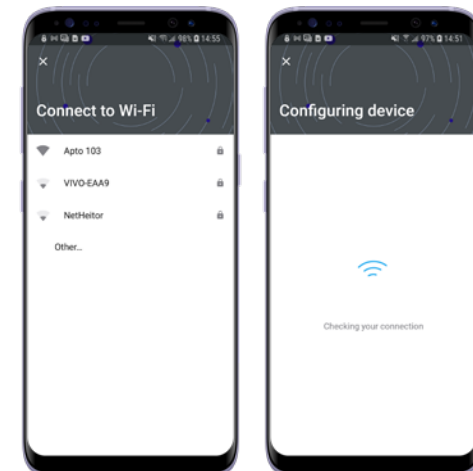


Step 8

Connect to Wi-Fi:

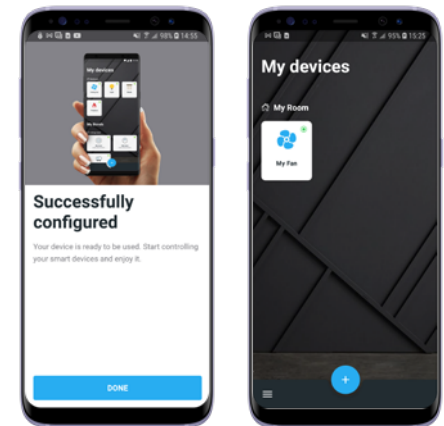
- Select your desired Wi-Fi network and enter password if necessary.
- Once the connection is made, select DONE.

If your fan does not appear, try swiping down to refresh.



Step 9

Setup complete! Your fan should appear in the app. Sit back, relax, and enjoy your new ceiling fan!



If you need assistance at any time during the setup process, please visit the Help section of the Bond Home App, located in Settings. Select from either "Open a Ticket" or "Live Chat" to connect with a member of the Bond Support Team.

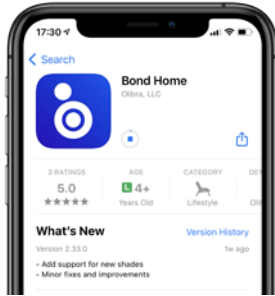


How to

Activate your Smart Fan on a iOS device

Step 1

Using your smart device, scan the QR code below to go to the application Store to download the free Bond Home app.



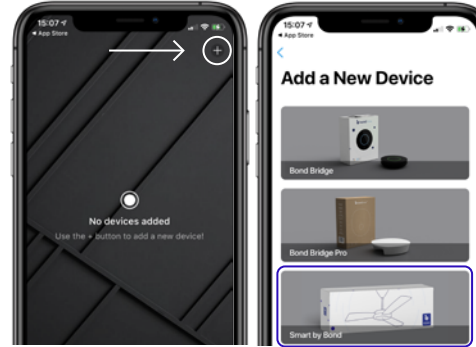
Step 2

Check that your fan and receiver are securely connected to the house supply: Using your fan's remote control, turn the fan and the light on and off.

Step 3

Open the Bond Home App on your mobile device and follow the step-by-step instructions in the app to add your ceiling fan.

- Create an account or login to your existing account.
- You will be prompted to allow permissions to the Bond Home App. These permissions are needed to set up new devices.
- Select "+" to add a new device
In the top-right corner
- Select the "Smart by Bond" ceiling fan option.



Step 4

Follow the prompt to go to your device's settings and connect to the Bond Config Wi-Fi network.

If you do not see the Bond Config Wi-Fi network listed, press and hold the power button on your ceiling fan's remote control for 10 seconds. Additionally, you can try refreshing your Wi-Fi list.

Go back to the Bond Home app.

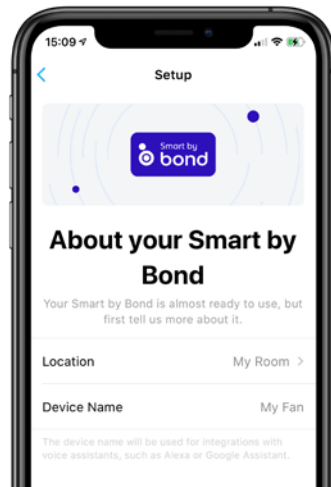


Step 7

Name your ceiling fan:

- Choose a location from the predefined list or add your own location.
- Choose a device name.

This name will be used for integrations and voice commands, so we recommend choosing a simple and descriptive name.

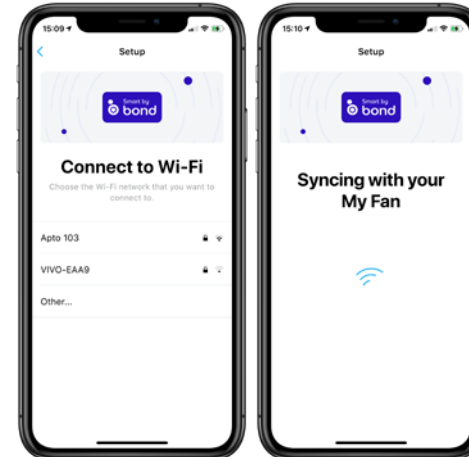


Step 8

Connect to Wi-Fi:

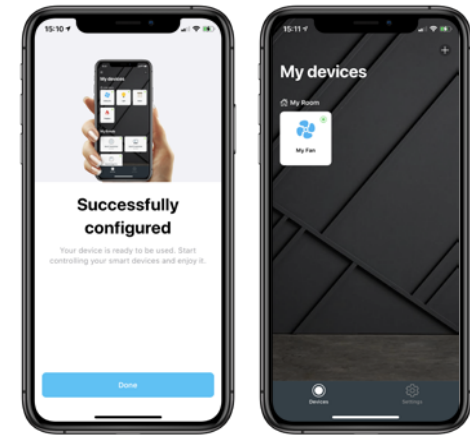
- Select your desired Wi-Fi network and enter password if necessary.
- Once the connection is made, select DONE.

If your fan does not appear, try swiping down to refresh.



Step 9

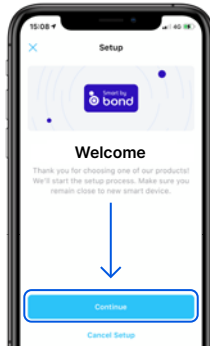
Setup complete! Your fan should appear in the app. Sit back, relax, and enjoy your new ceiling fan!



If you need assistance at any time during the setup process, please visit the Help section of the Bond Home App, located in Settings. Select from either "Open a Ticket" or "Live Chat" to connect with a member of the Bond Support Team.

Step 5

A confirmation will appear on-screen to let you know that your ceiling fan has been successfully connected to the Bond Home App. Click CONTINUE to proceed with setting up your ceiling fan.



Step 6

Test your ceiling fan according to the app's prompts to toggle the fan and lights.



Troubleshooting



To perform a Factory Reset:

The Factory Reset will erase all fan settings, schedules, and disconnect from your Wi-Fi network. However, the fan will remain paired with the remote control.

1. Turn off the breaker or wall switch.
2. Turn the breaker/switch back on.
3. Immediately press and hold the Fan Speed 1 button on your ceiling fan's remote control for 20 seconds, or until the ceiling fan light flashes five times. (Note: You must start holding the button within 15 seconds of turning the breaker or wall switch back on.)

Bond Config network does not show up in my WiFi list

If your fan is already connected to WiFi, the Bond Config network will disappear. To cause it to reappear, hold down the Power button on the remote control for 10 seconds and refresh your WiFi network list on your phone or tablet.