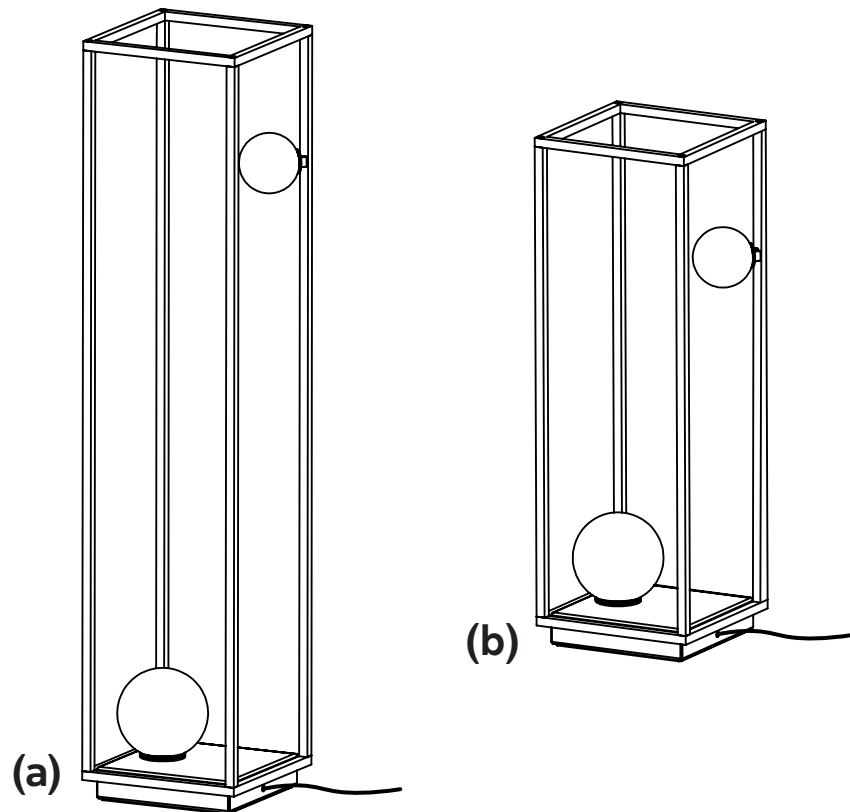
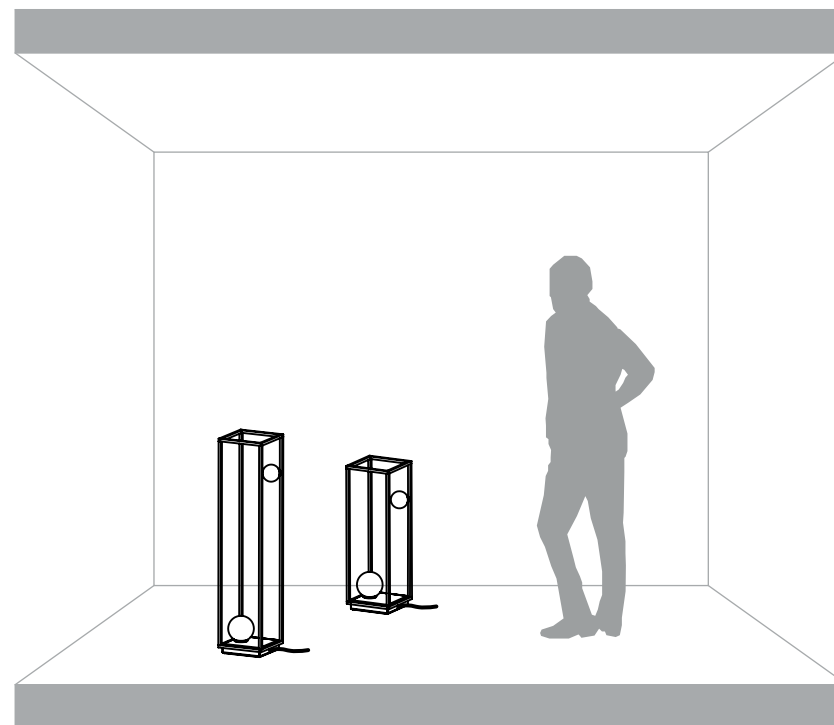


Abachina



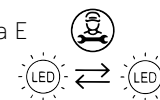
HP291 N1 INT (a)
HP291 B1 INT (a)
HP291 N2 INT(b)
HP291 B2 INT(b)



Karman srl

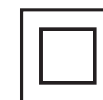
Via A. Grandi, San Martino del piano, 61034 Fossombrone (PU), Italy
p.iva 02175640412 tel +39 0721 71 5042 r.a fax +39 0721 716640 - www.karmanitalia.it

apparecchio fornito di sorgente luminosa di classe energetica E
lamp equipped with light source energy class E



KARMAN

220-240V
led 3,2W+7,4W



C - 01

