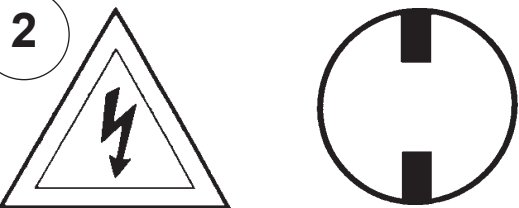


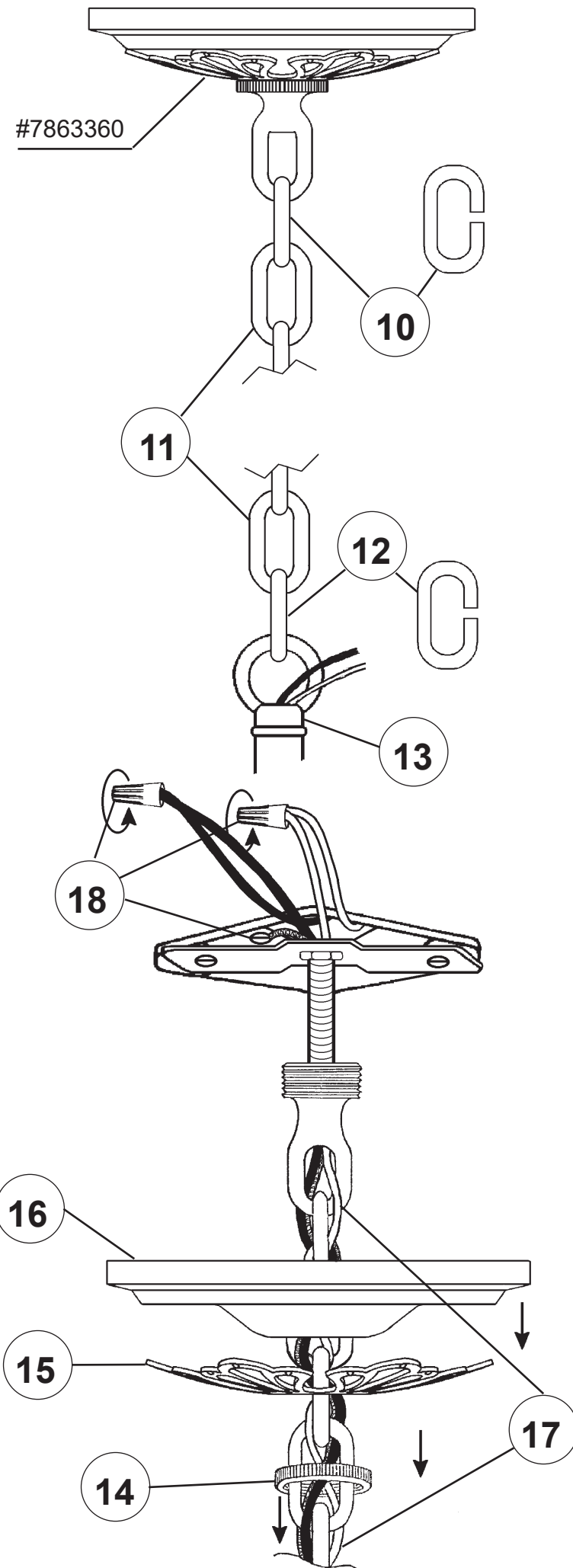
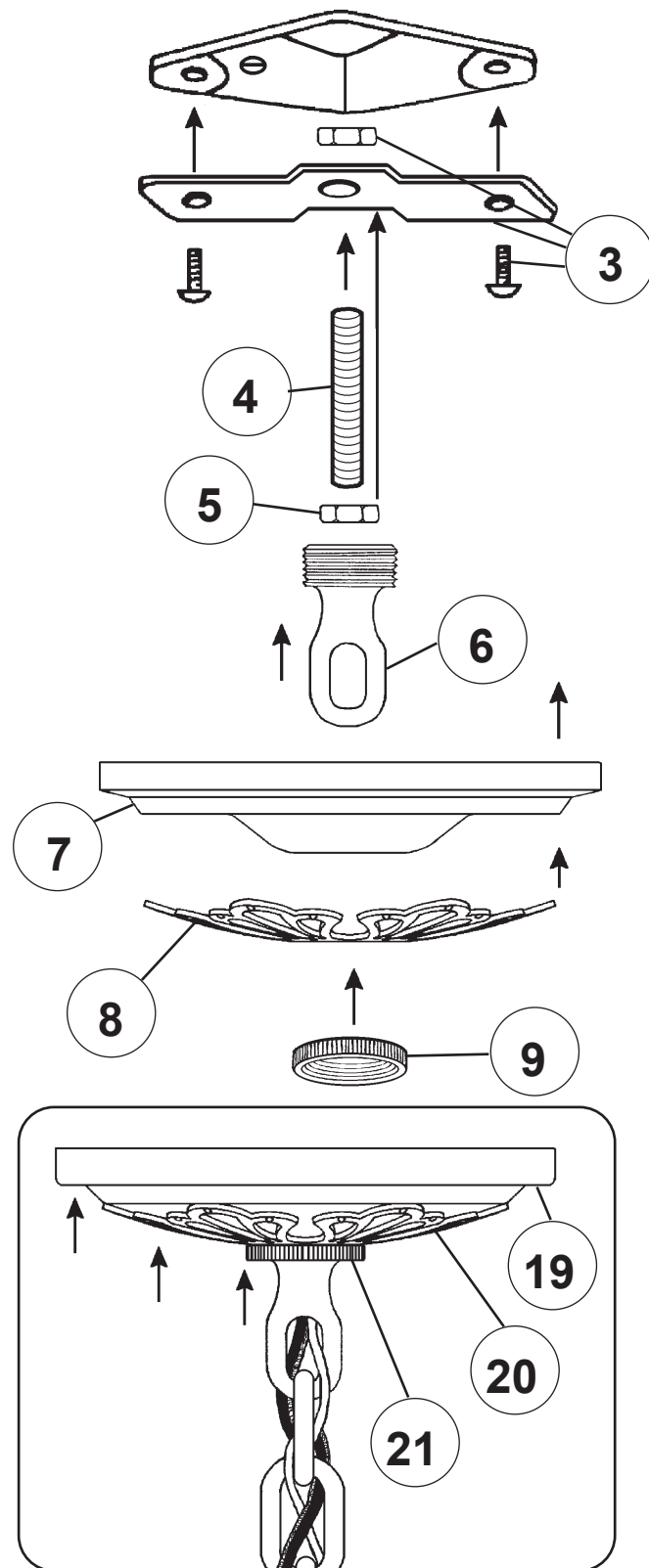
Instructions for electrician
STEPS 2 - 21

WARNING:



Electrical Danger Turn Power Off

All electrical components must be installed by a licensed electrician in accordance with the National Electric Code and the appropriate local electrical codes.



CHANDELIER 7864-___R TRIM DIAGRAM

(Finish Option)



16 Lights
Diameter: 32"
Body Length: 27"
Hanging Weight: 23 lbs.

THIS DESIGN IS THE PROPRIETARY TRADE DRESS/TRADEMARK OF W SCHONBEK LLC.



SCHONBEK 1870

See diagram on back page
Follow steps in exact order
Save this trim diagram for future reference

IMPORTANT

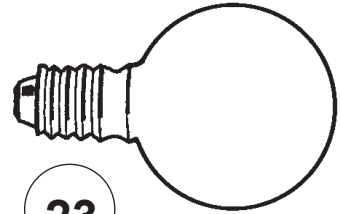
1 Person who opens carton should record the following information for future service.

CODE # _____ Four-digit number on outside of carton.
PACKER # _____ See crystal package label.
ORDER # _____ See crystal package label.



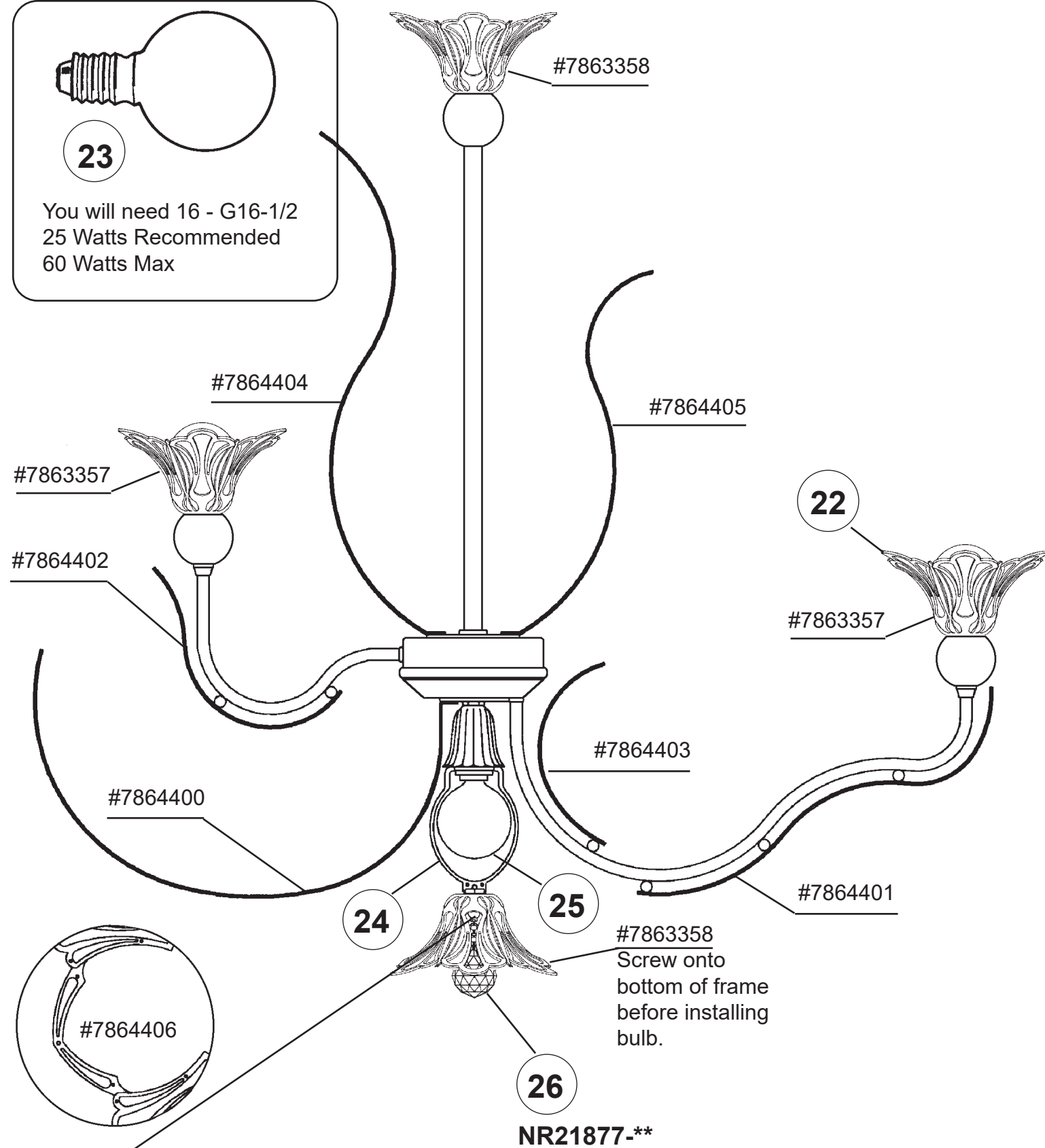
Instructions for crystal trimming

STEPS 22 - 27



23

You will need 16 - G16-1/2
25 Watts Recommended
60 Watts Max



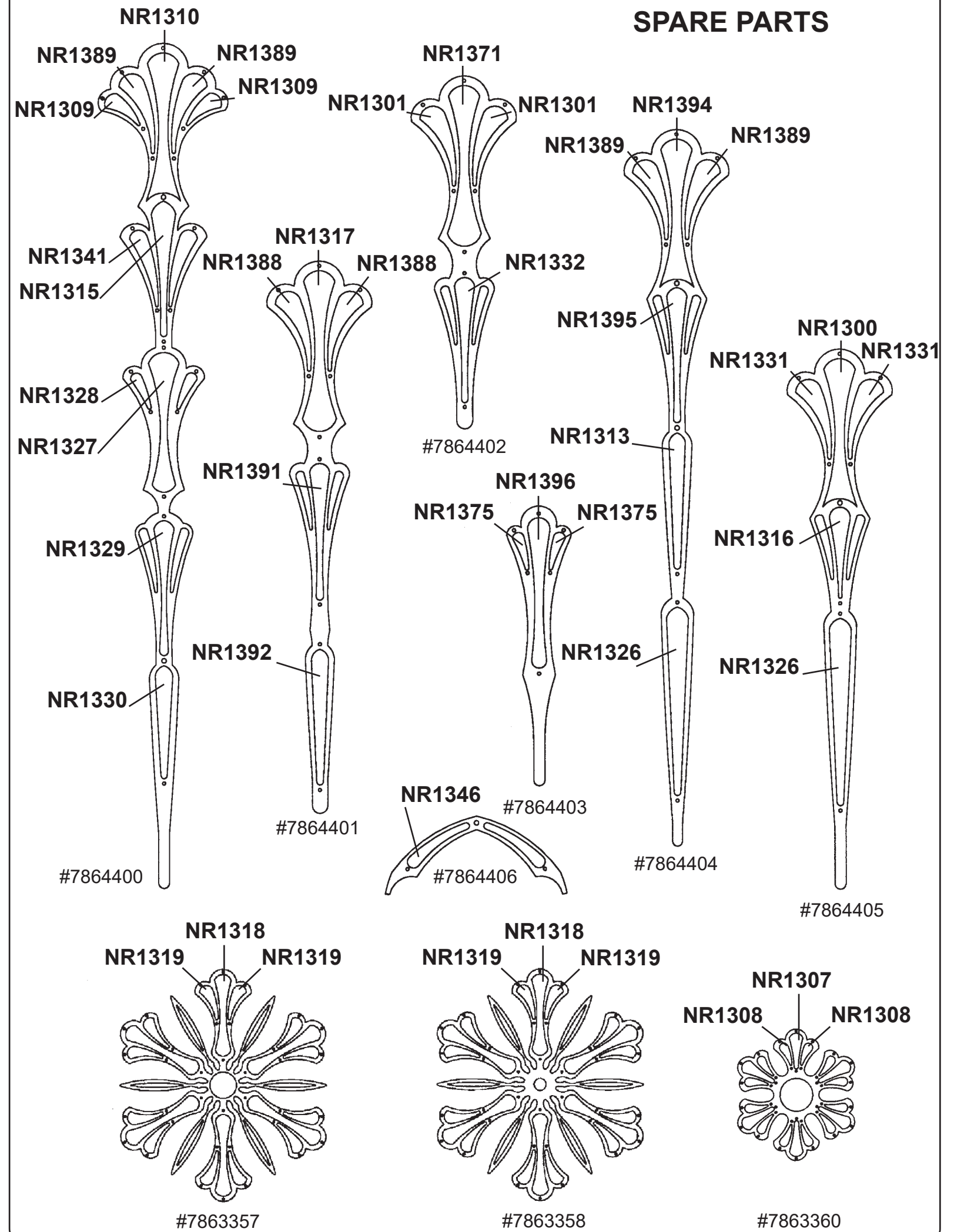
NR21877-**

27



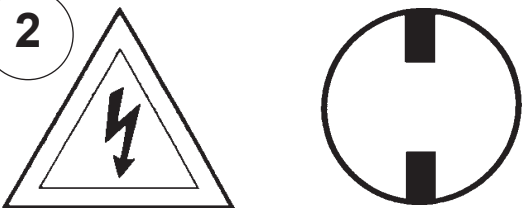
Tighten
With
Allen Wrench
Provided.

PART NUMBERS FOR SPARE PARTS



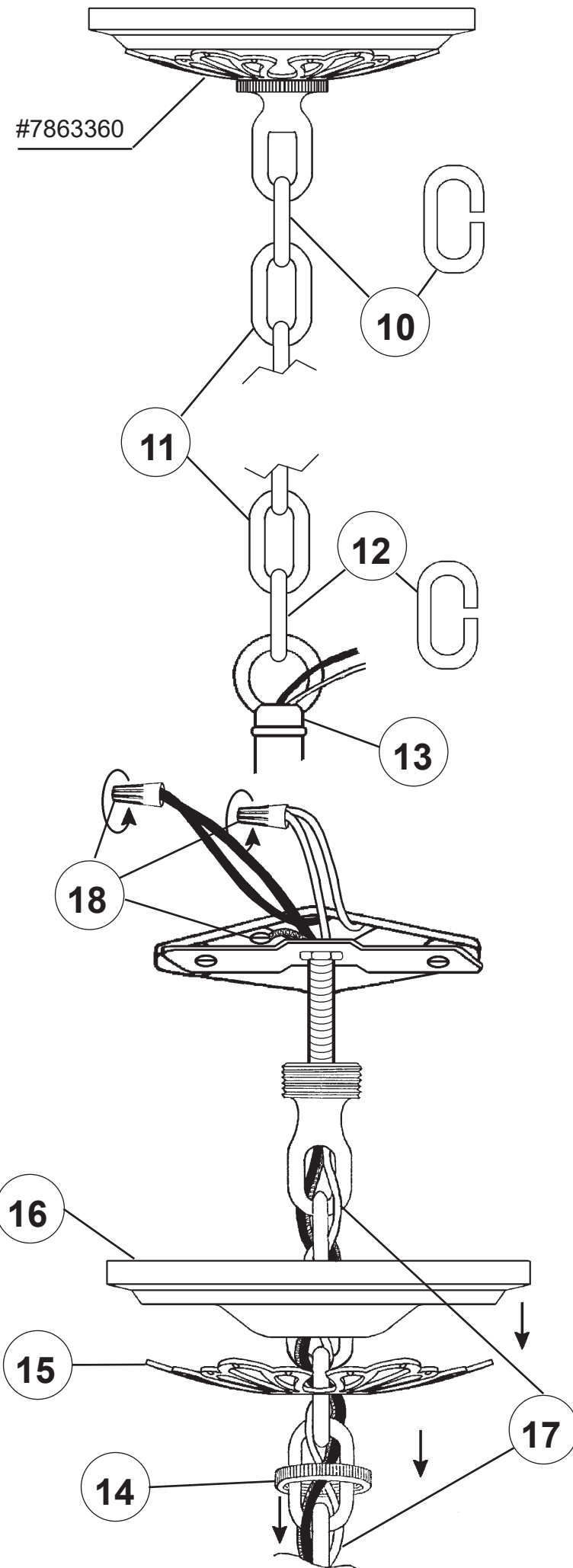
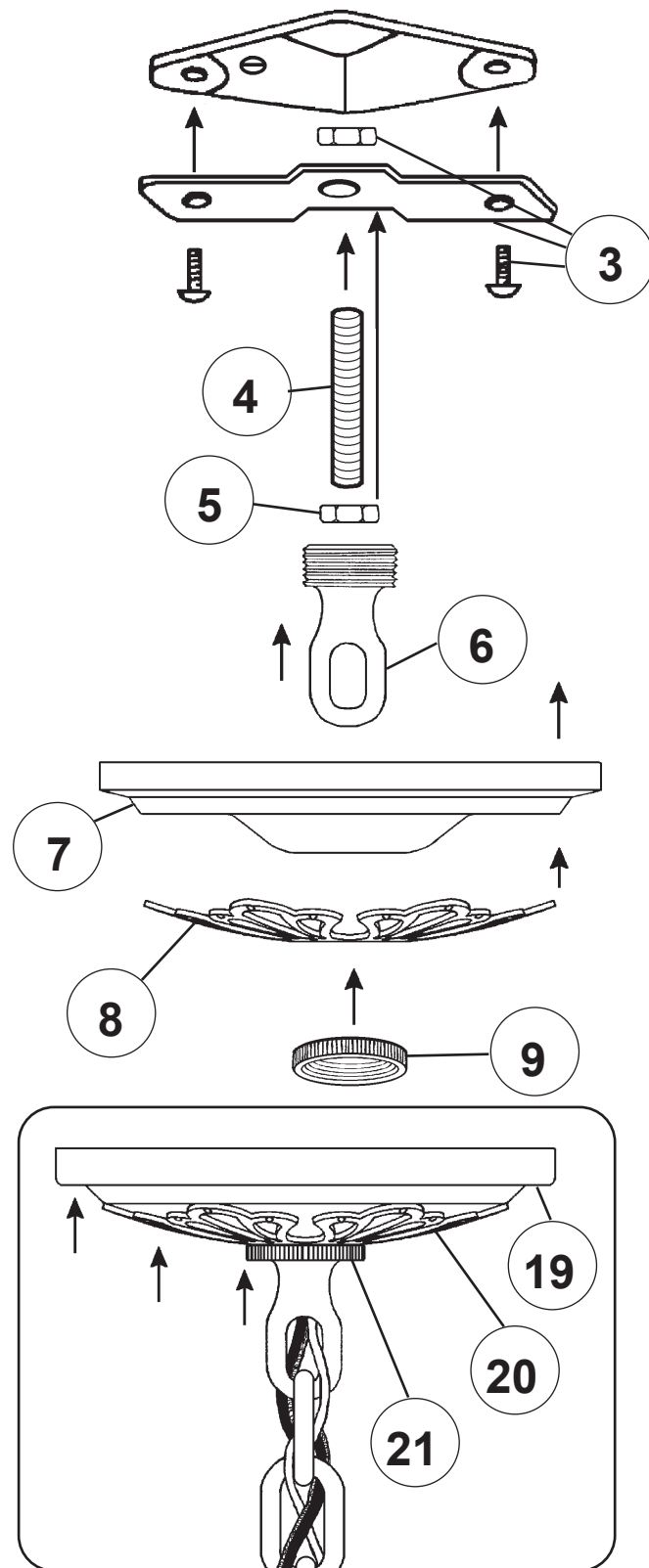
Instructions for electrician
STEPS 2 - 21

WARNING:

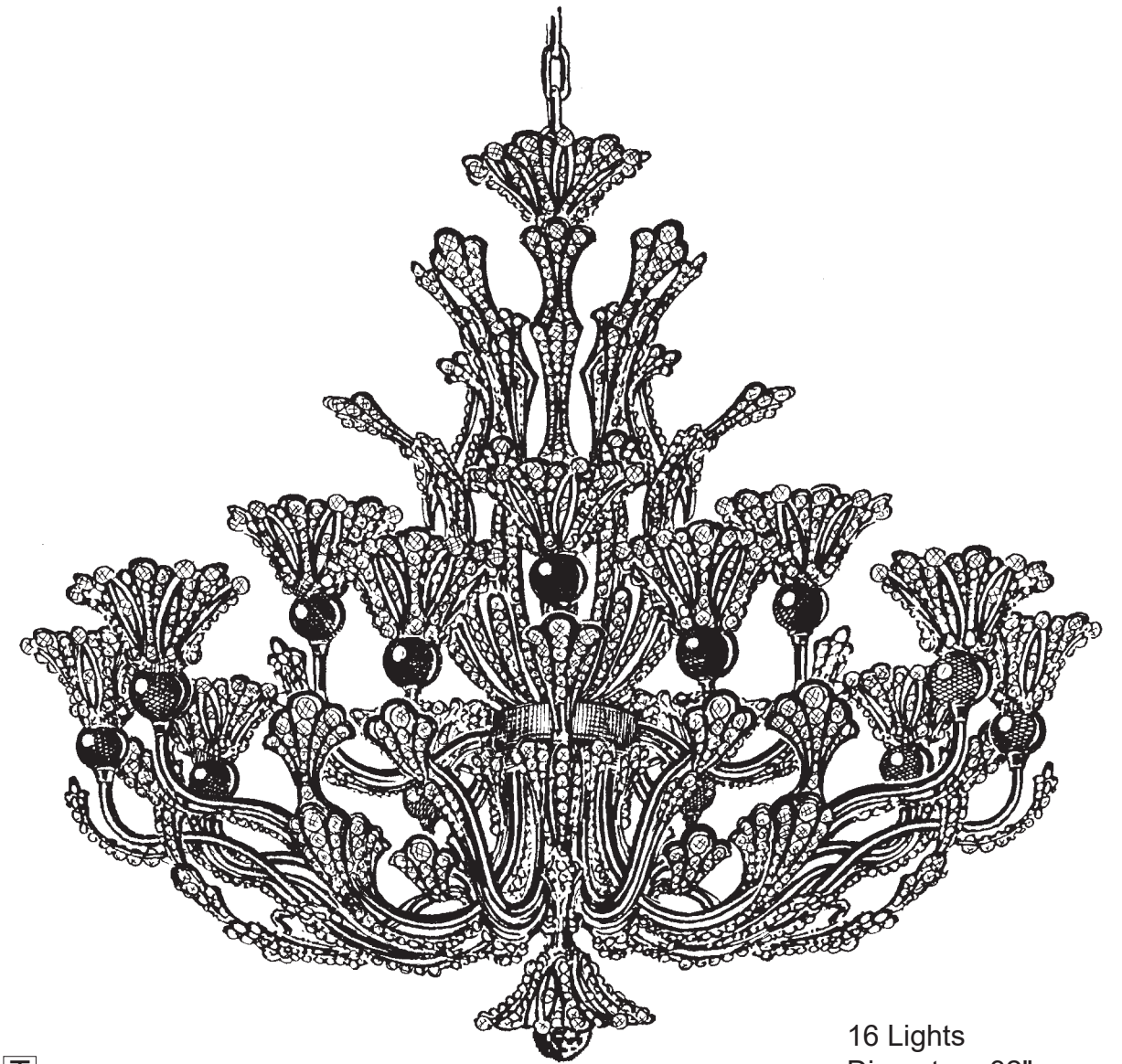


Electrical Danger Turn Power Off

All electrical components must be installed by a licensed electrician in accordance with the National Electric Code and the appropriate local electrical codes.



CHANDELIER 7864-___ __ S TRIM DIAGRAM
(Finish Option)



16 Lights
Diameter: 32"
Body Length: 27"
Hanging Weight: 23 lbs.

THIS DESIGN IS THE PROPRIETARY TRADE DRESS/TRADEMARK OF W SCHONBEK LLC.



SCHONBEK 1870

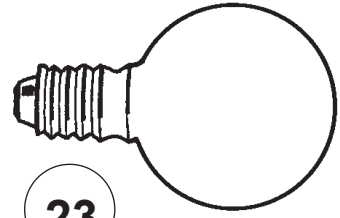
See diagram on back page
Follow steps in exact order
Save this trim diagram for future reference

1 IMPORTANT
Person who opens carton should record the following information for future service.
CODE # _____ Four-digit number on outside of carton.
PACKER # _____ See crystal package label.
ORDER # _____ See crystal package label.



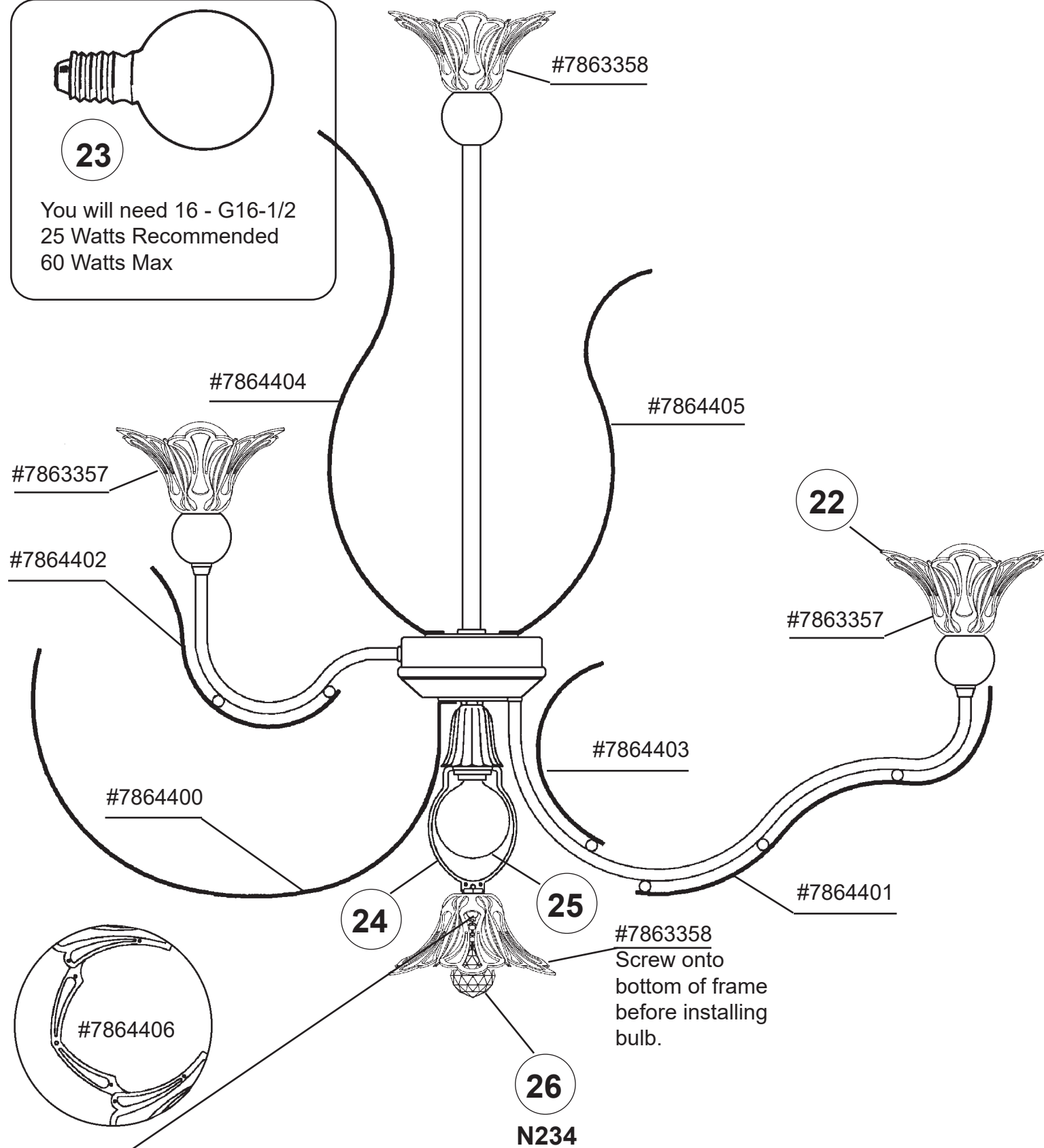
Instructions for crystal trimming

STEPS 22 - 27



23

You will need 16 - G16-1/2
25 Watts Recommended
60 Watts Max



PART NUMBERS FOR SPARE PARTS

