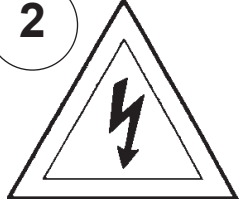


## Instructions for electrician STEPS 2 - 18

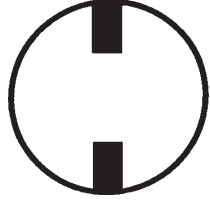
**WARNING:** THIS LUMINAIRE MUST BE MOUNTED OR SUPPORTED INDEPENDENTLY OF AN OUTLET BOX.

**WARNING:**

2

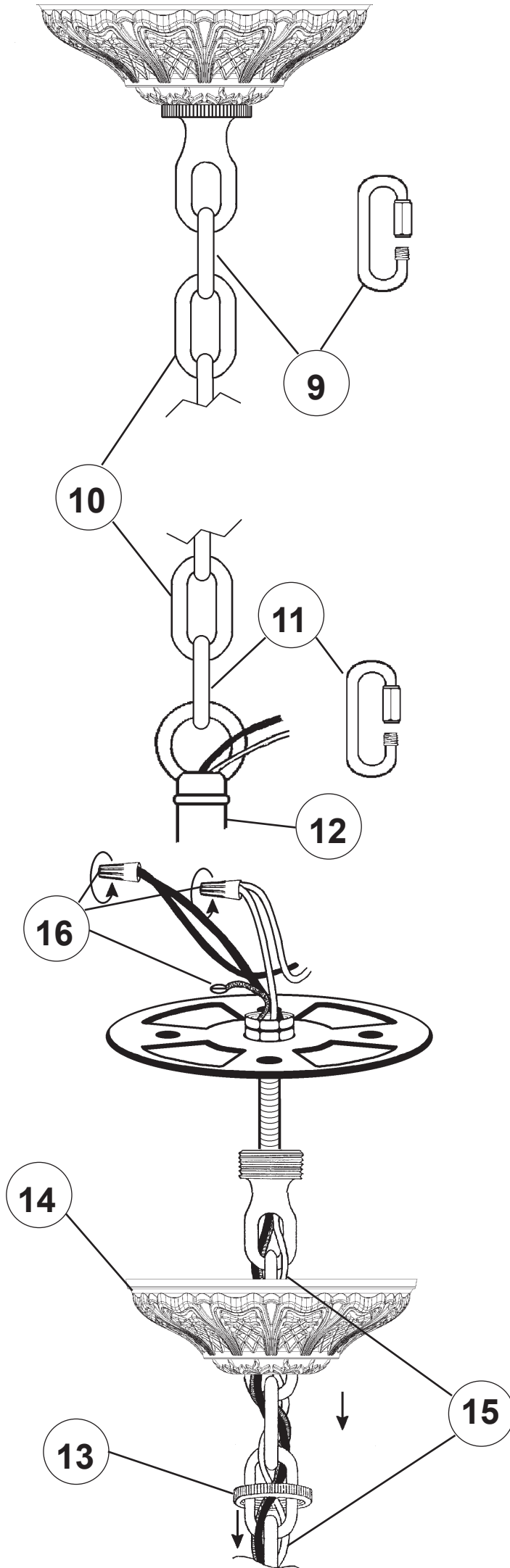
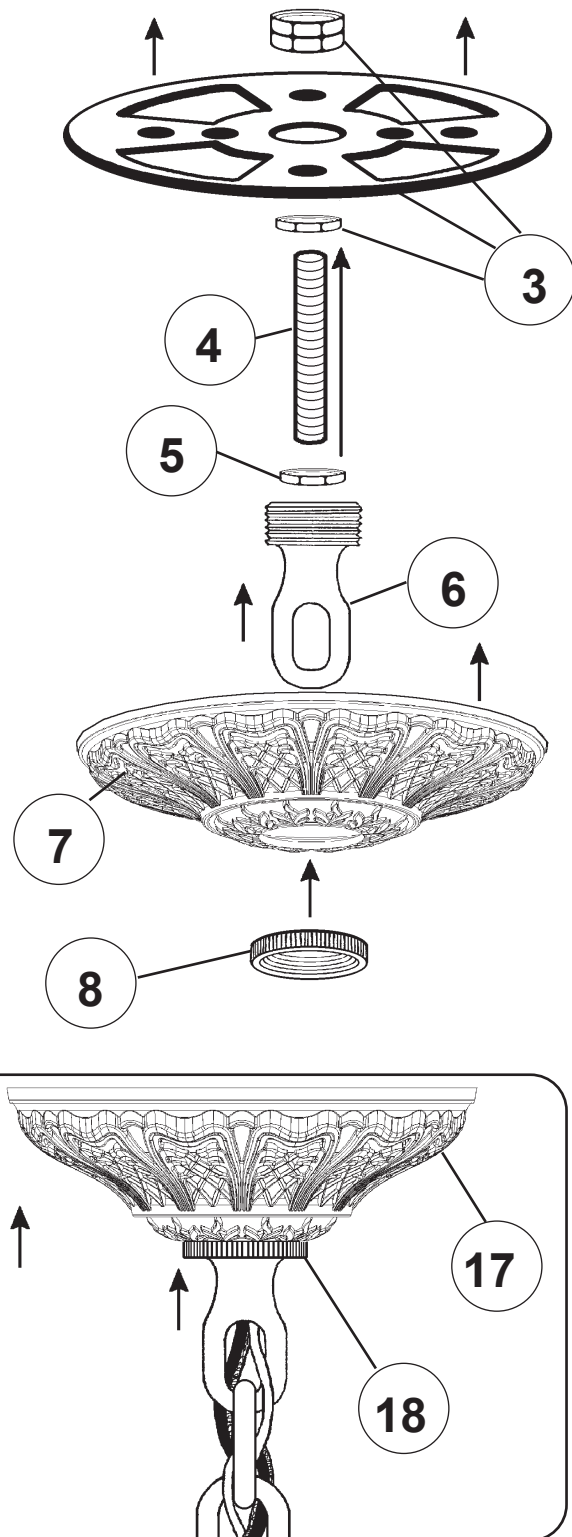


Electrical Danger



Turn Power Off

All electrical components must be installed by a licensed electrician in accordance with the National Electric Code and the appropriate local electrical codes.



## CHANDELIER 6967- \_\_\_\_ H TRIM DIAGRAM

(Finish Option)



THIS DESIGN IS THE PROPRIETARY TRADE DRESS/TRADEMARK OF W SCHONBEK LLC.

14 + 14 + 7 Lights  
Diameter: 55"  
Body Length: 62"  
Hanging Weight: 180 lbs.



# SCHONBEK | 1870

See diagram on back page  
Follow steps in exact order  
Save this trim diagram for future reference

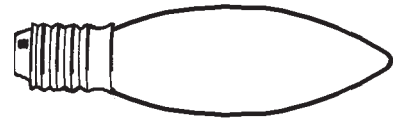
1

**IMPORTANT**  
Person who opens carton should record the following information for future service.

CODE # \_\_\_\_\_ Four-digit number on outside of carton.  
PACKER # \_\_\_\_\_ See crystal package label.  
ORDER # \_\_\_\_\_ See crystal package label.

# Instructions for crystal trimming

## STEPS 19 - 47



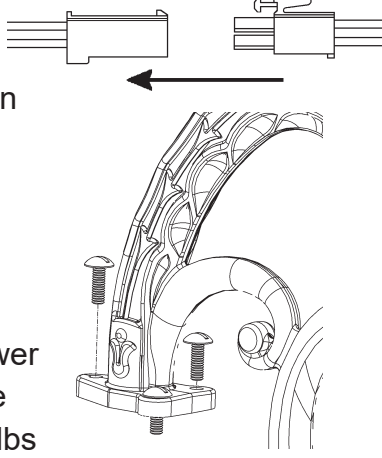
You will need 35 - B10  
25 Watts Recommended  
60 Watts Max

20

Install bulbs and be sure to test fixture **BEFORE** trimming.

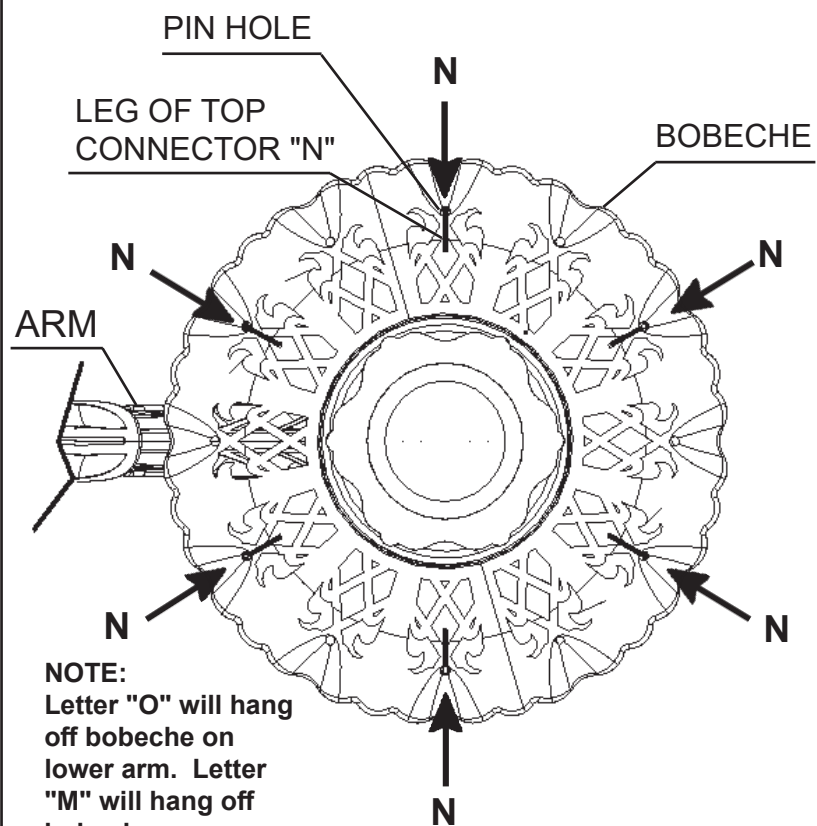
19

Connect arm wires to the center column using plug-in connectors. Screw in three screws per arm. See detailed illustration.



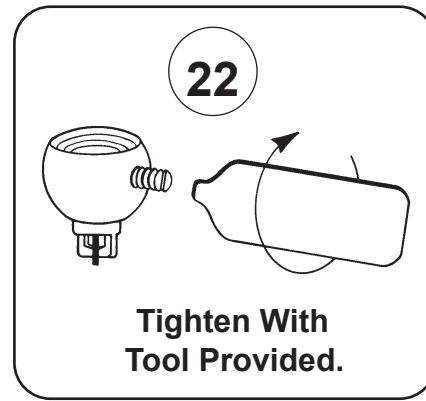
Install bulbs, connect power and test the fixture before trimming. If any of the bulbs do NOT light - **DISCONNECT POWER**. Double check the wire connections.

### DIAGRAM 1



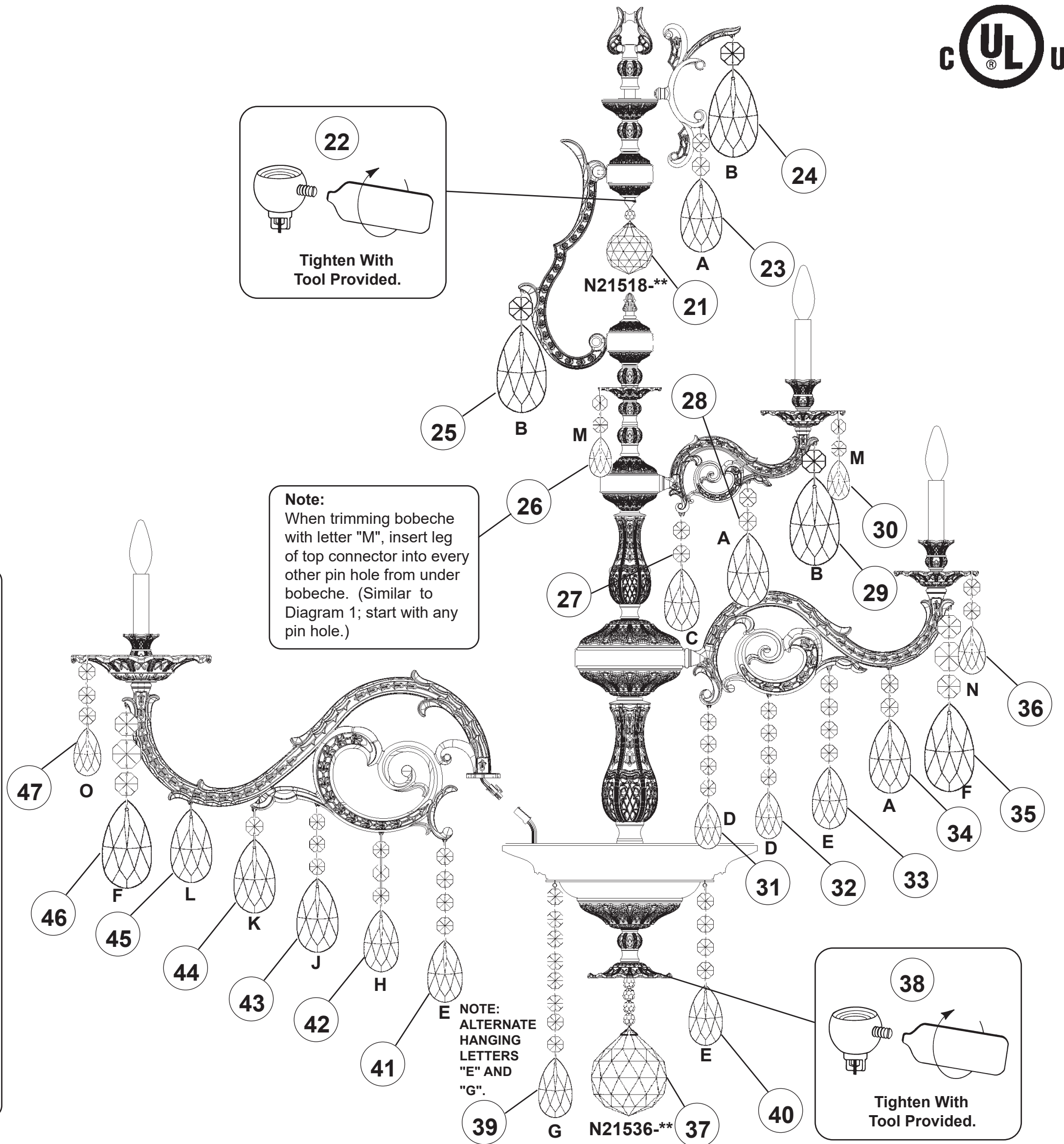
**NOTE:**  
Letter "O" will hang off bobeche on lower arm. Letter "M" will hang off bobeche on upper arm.

When trimming arm bobeche with letter "N", insert leg of top connector into pin hole from under bobeche. Hang in every other pin hole starting on either side of the arm (refer to Diagram 1)

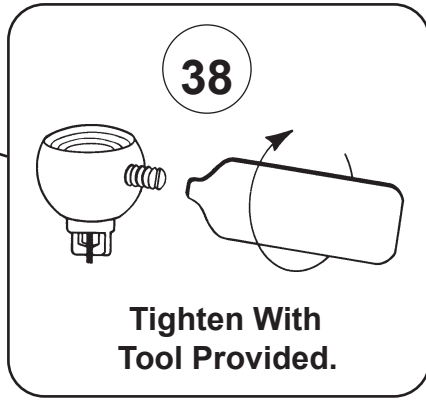


Tighten With Tool Provided.

**Note:**  
When trimming bobeche with letter "M", insert leg of top connector into every other pin hole from under bobeche. (Similar to Diagram 1; start with any pin hole.)



**NOTE:**  
ALTERNATE HANGING LETTERS "E" AND "G".

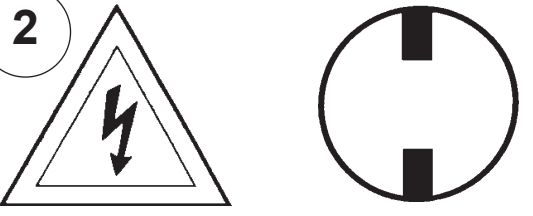


Tighten With Tool Provided.

## Instructions for electrician STEPS 2 - 18

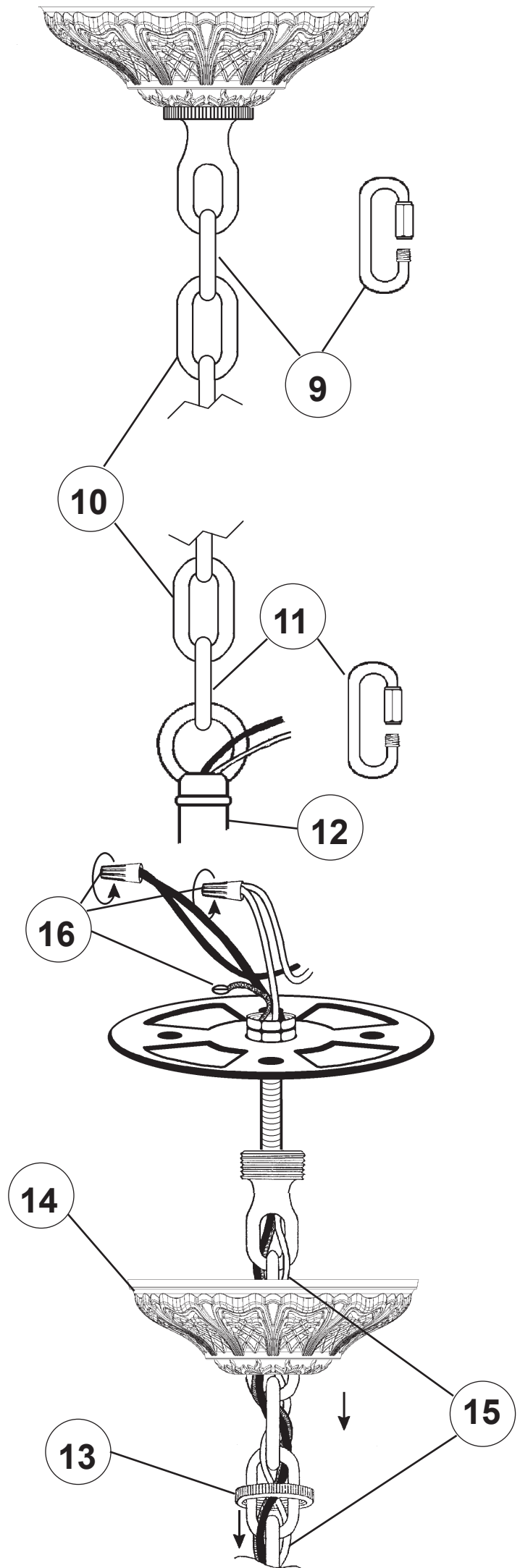
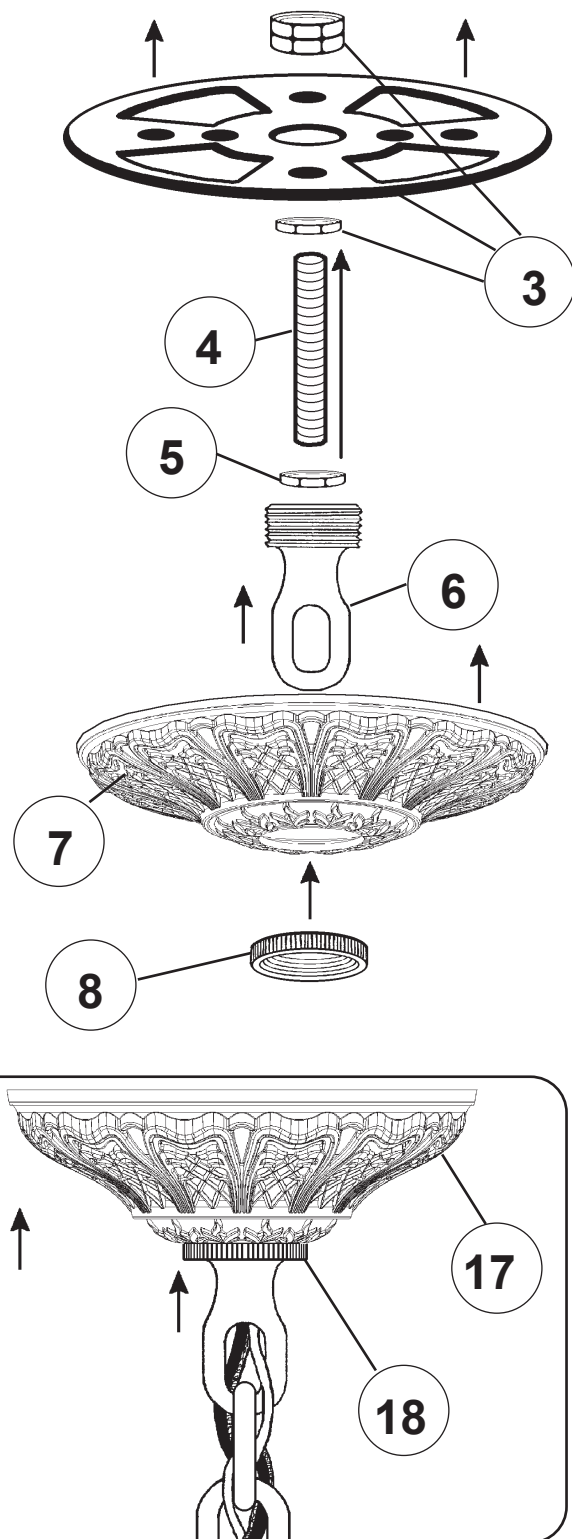
**WARNING:** THIS LUMINAIRE MUST BE MOUNTED OR SUPPORTED INDEPENDENTLY OF AN OUTLET BOX.

### WARNING:



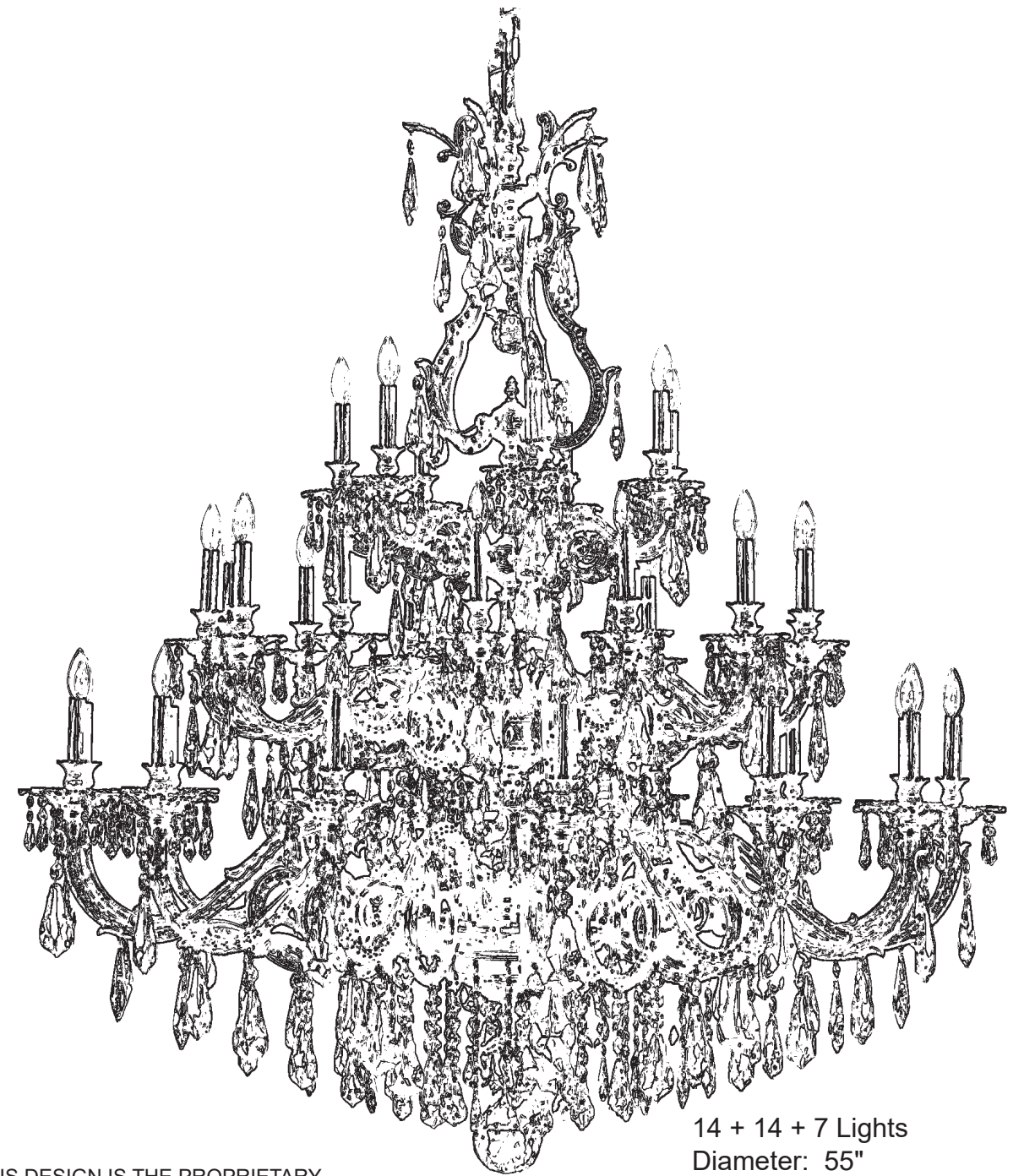
Electrical Danger Turn Power Off

All electrical components must be installed by a licensed electrician in accordance with the National Electric Code and the appropriate local electrical codes.



## CHANDELIER 6967- \_\_\_\_\_ TRIM DIAGRAM

(Finish Option) (Trim Option)



14 + 14 + 7 Lights  
Diameter: 55"  
Body Length: 62"  
Hanging Weight: 180 lbs.

THIS DESIGN IS THE PROPRIETARY TRADE DRESS/TRADEMARK OF W SCHONBEK LLC.



# SCHONBEK

1870

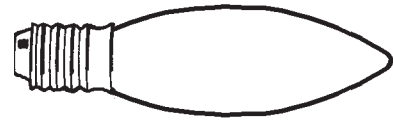
See diagram on back page  
Follow steps in exact order  
Save this trim diagram for future reference

**1** **IMPORTANT**  
Person who opens carton should record the following information for future service.

CODE # \_\_\_\_\_ Four-digit number on outside of carton.  
PACKER # \_\_\_\_\_ See crystal package label.  
ORDER # \_\_\_\_\_ See crystal package label.

# Instructions for crystal trimming

## STEPS 19 - 47



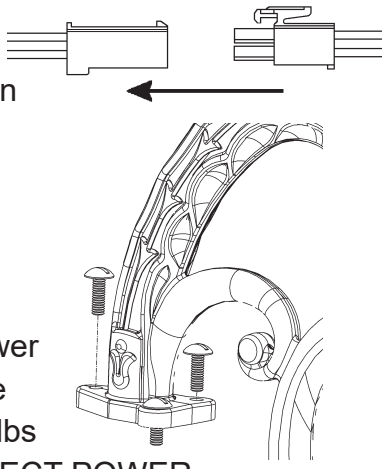
You will need 35 - B10  
25 Watts Recommended  
60 Watts Max

20

Install bulbs and be sure  
to test fixture **BEFORE**  
trimming.

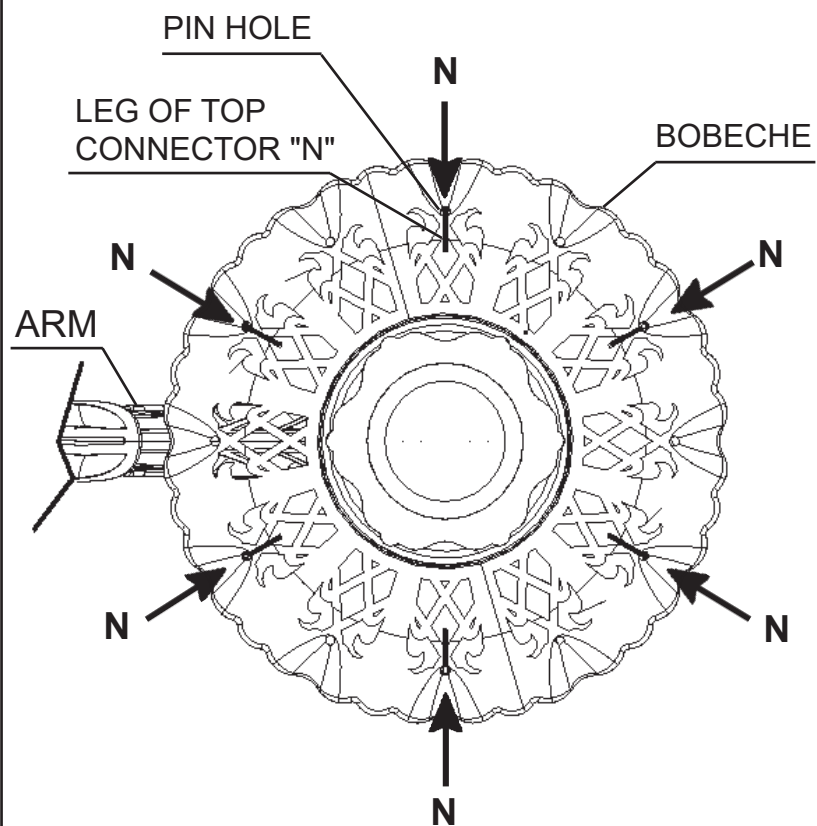
19

Connect arm  
wires to the center column  
using plug-in connectors.  
Screw in three screws  
per arm. See detailed  
illustration.

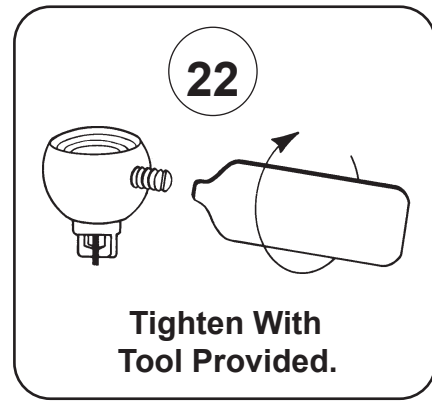


Install bulbs, connect power  
and test the fixture before  
trimming. If any of the bulbs  
do NOT light - DISCONNECT POWER.  
Double check the wire connections.

### DIAGRAM 1



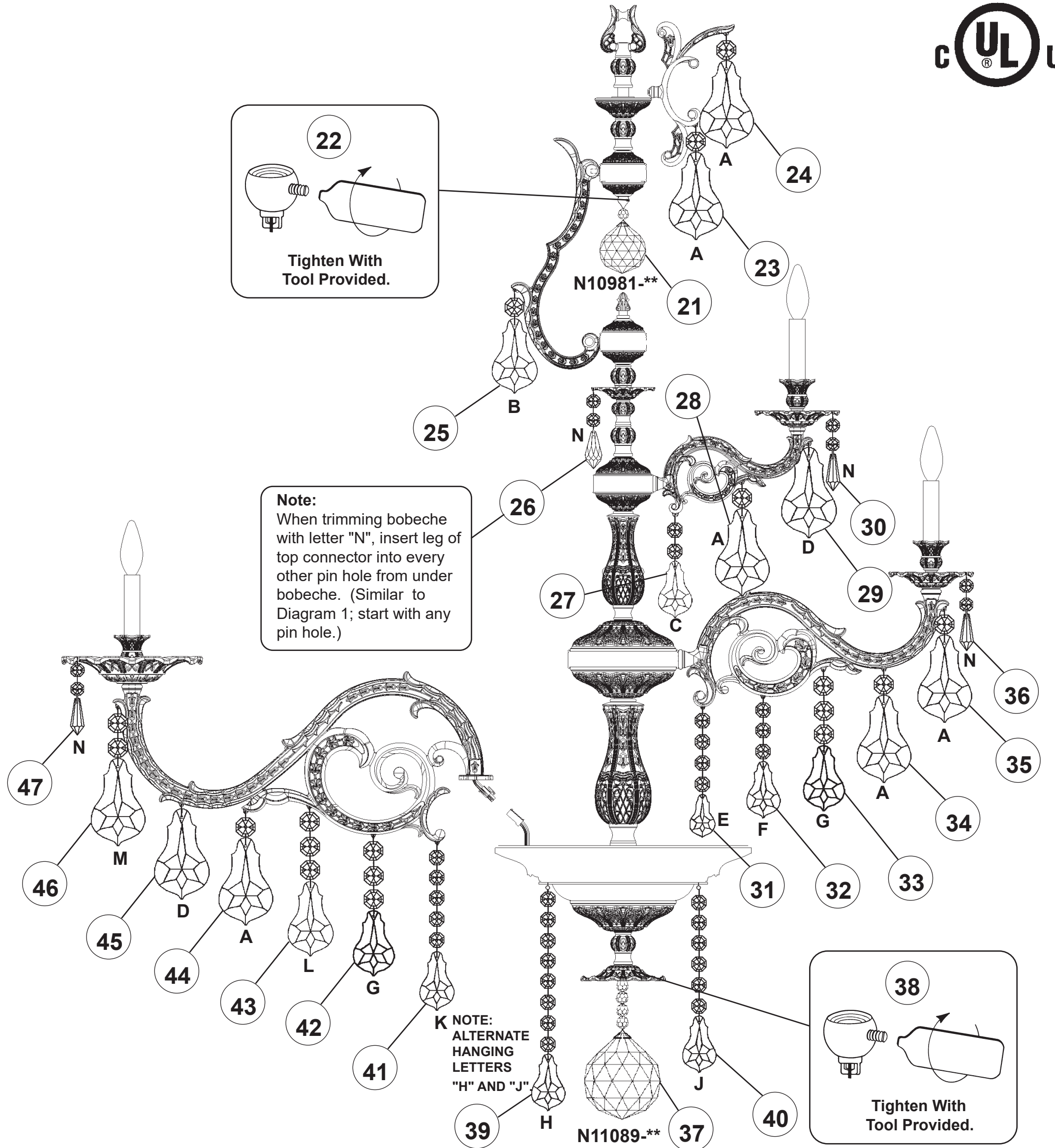
When trimming arm bobèche with letter "N", insert  
leg of top connector into pin hole from under bobèche.  
Hang in every other pin hole starting on either side of  
the arm (refer to Diagram 1)



22

Tighten With  
Tool Provided.

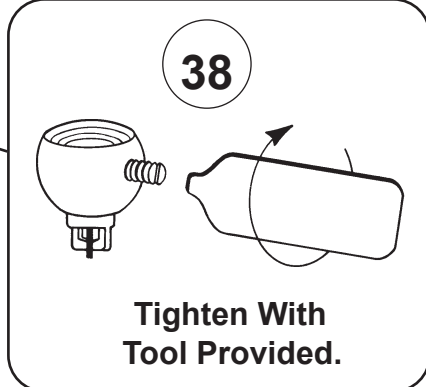
**Note:**  
When trimming bobèche  
with letter "N", insert leg of  
top connector into every  
other pin hole from under  
bobèche. (Similar to  
Diagram 1; start with any  
pin hole.)



N10981-\*\*

N11089-\*\*

**K** NOTE:  
ALTERNATE  
HANGING  
LETTERS  
"H" AND "J"



38

Tighten With  
Tool Provided.