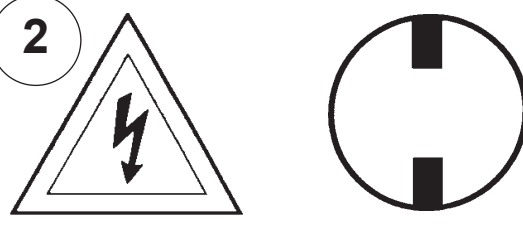


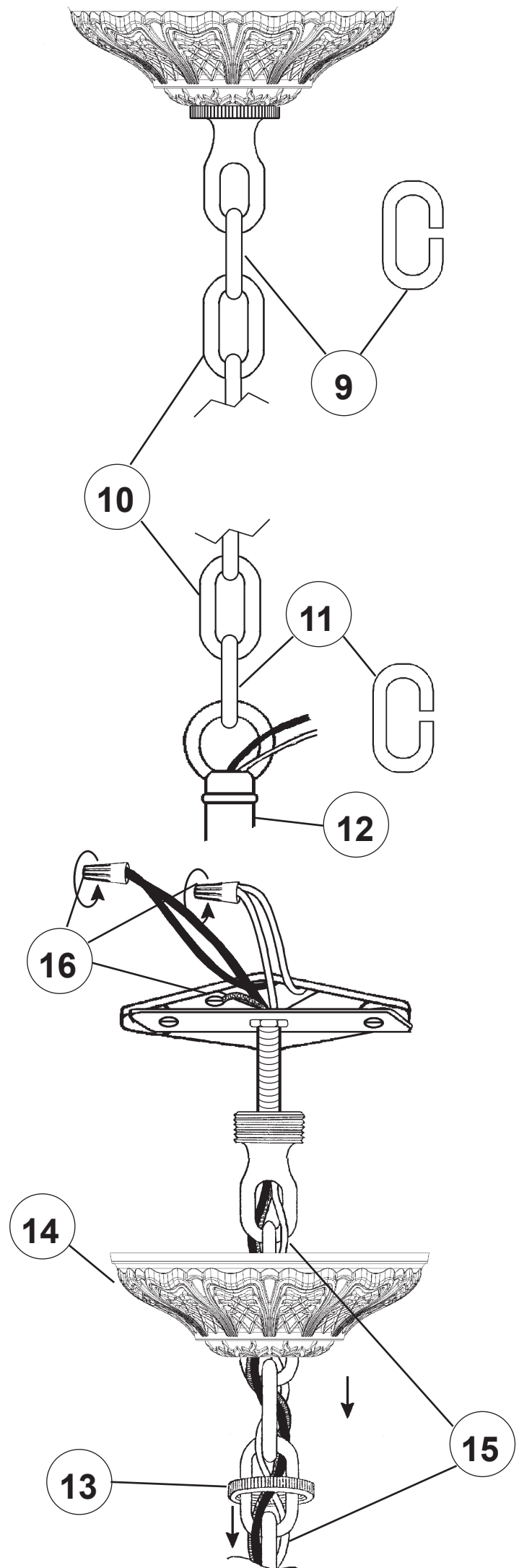
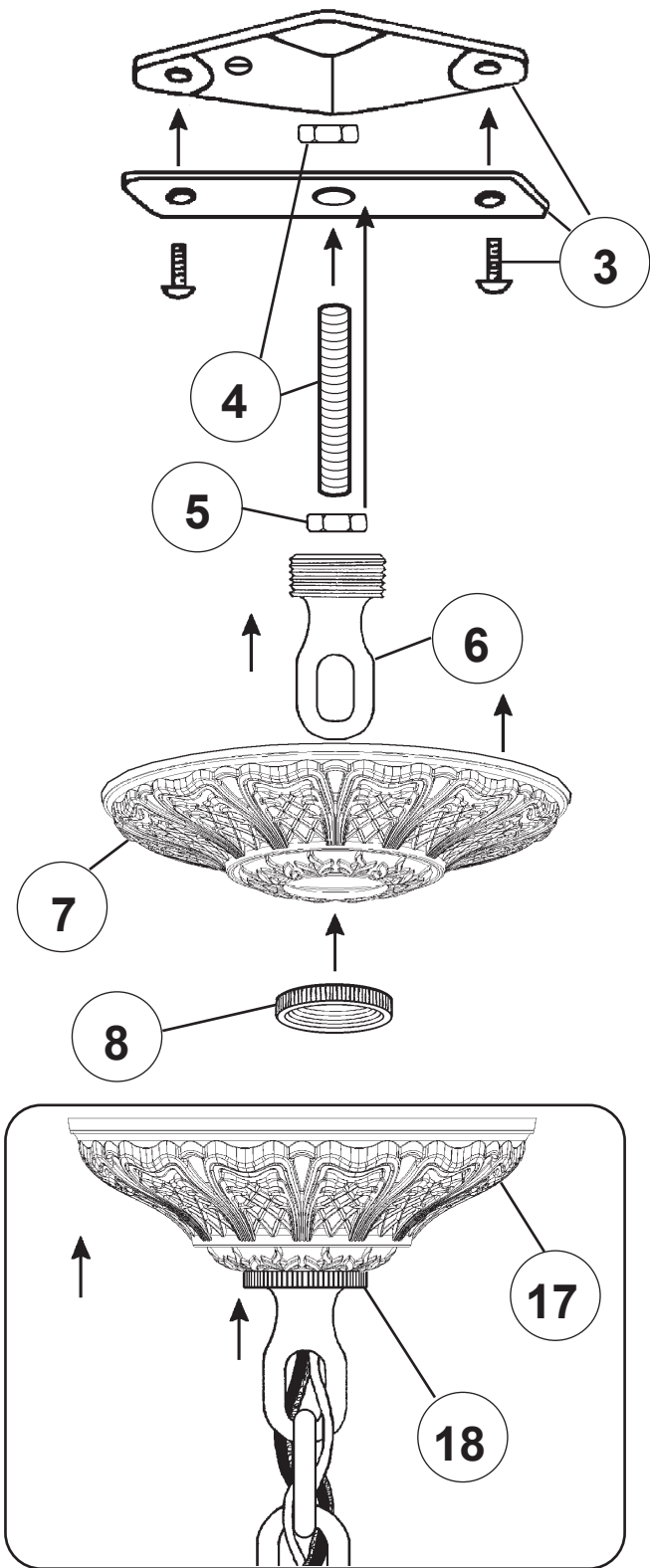
Instructions for electrician  
STEPS 2 - 18

**WARNING:**

2 

Electrical Danger Turn Power Off

All electrical components must be installed by a licensed electrician in accordance with the National Electric Code and the appropriate local electrical codes.



CHANDELIER 5676- \_\_\_\_\_ TRIM DIAGRAM

(Finish Option) (Trim Option)



6 Lights  
Diameter: 24"  
Body Length: 26-1/2"  
Hanging Weight: 15 lbs.

THIS DESIGN IS THE PROPRIETARY TRADE DRESS/TRADEMARK OF W SCHONBEK LLC.



See diagram on back page  
Follow steps in exact order  
Save this trim diagram for future reference

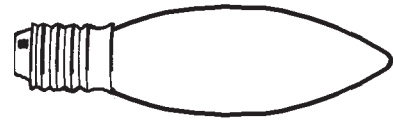
**1** **IMPORTANT**  
Person who opens carton should record the following information for future service.

CODE # \_\_\_\_\_ Four-digit number on outside of carton.  
PACKER # \_\_\_\_\_ See crystal package label.  
ORDER # \_\_\_\_\_ See crystal package label.



# Instructions for crystal trimming

## STEPS 19 - 28

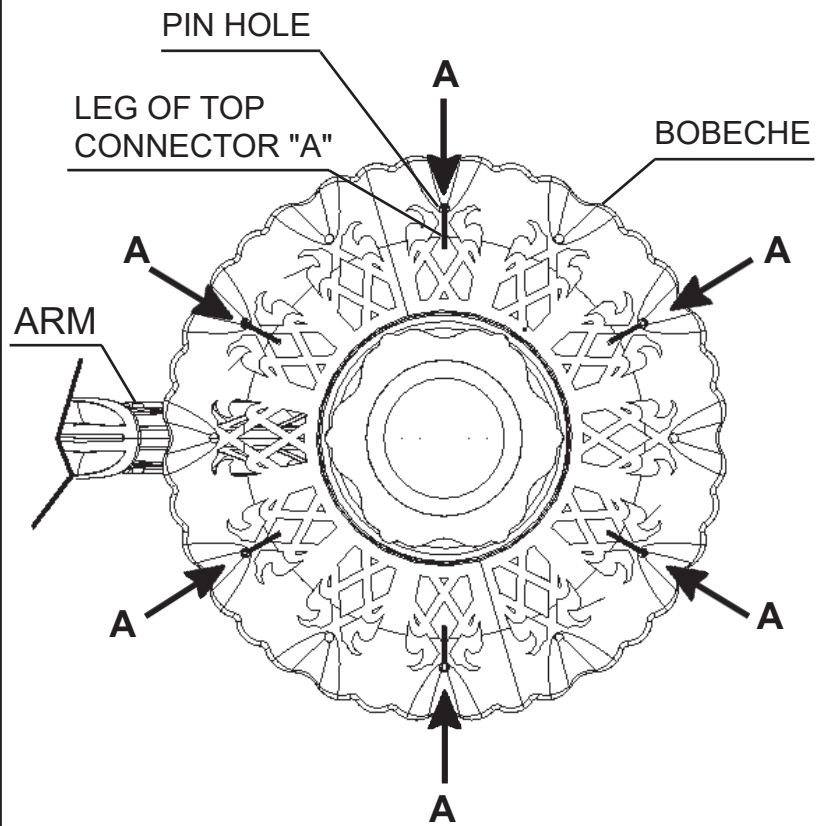


You will need 6 - B10  
25 Watts Recommended  
60 Watts Max

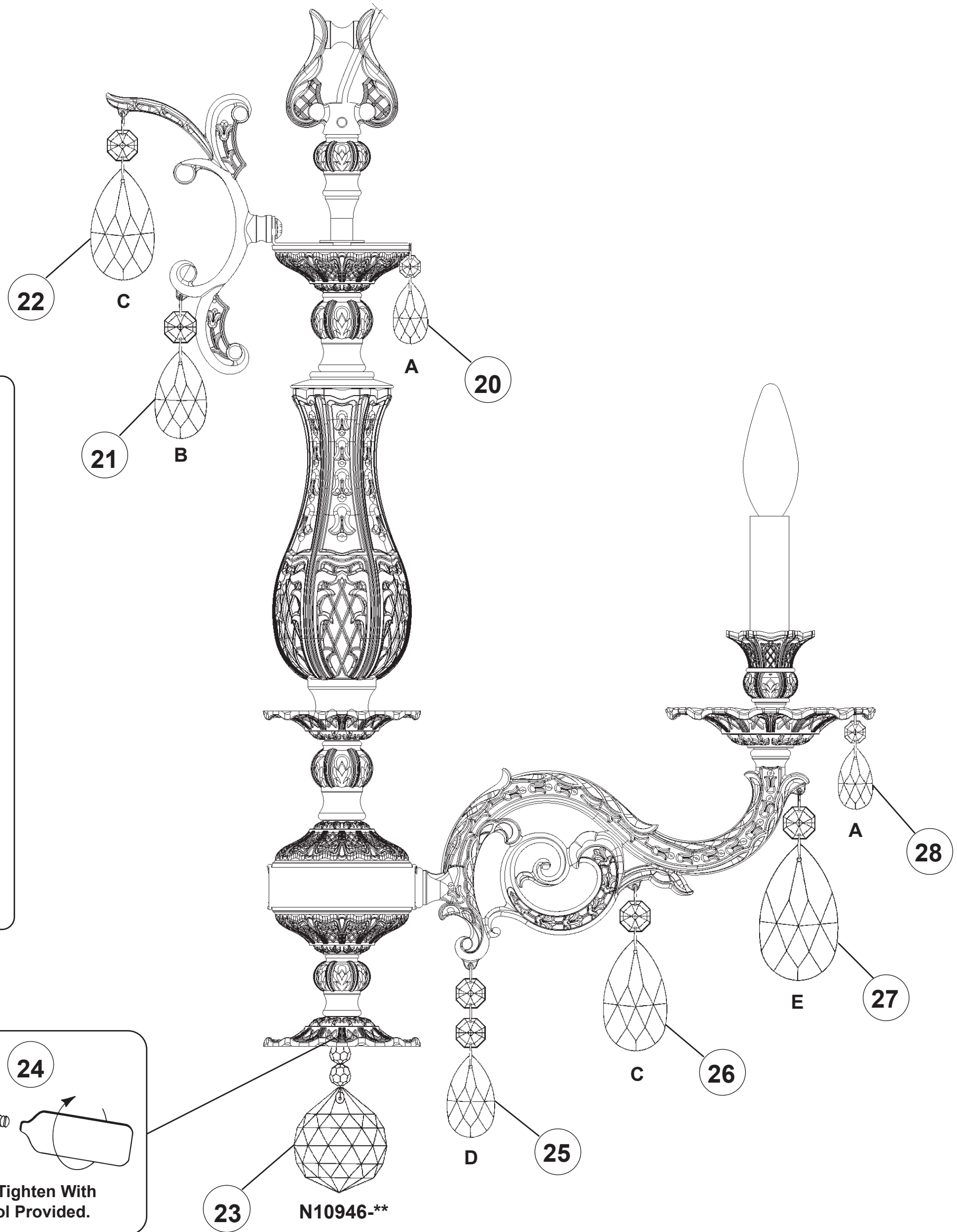
19

Install bulbs and be sure  
to test fixture **BEFORE**  
trimming.

### DIAGRAM #1



When trimming bobecche with letter "A", insert leg of top connector into pin hole from under bobecche. Hang in every other pin hole starting on either side of the arm (refer to Diagram #1)



23

N10946-\*\*