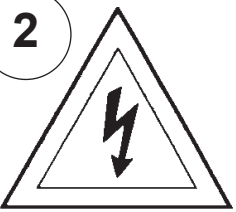


CHANDELIER 5069- _____ TRIM DIAGRAM

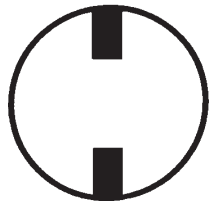
(Finish Option)

Instructions for electrician STEPS 2 - 9

WARNING:

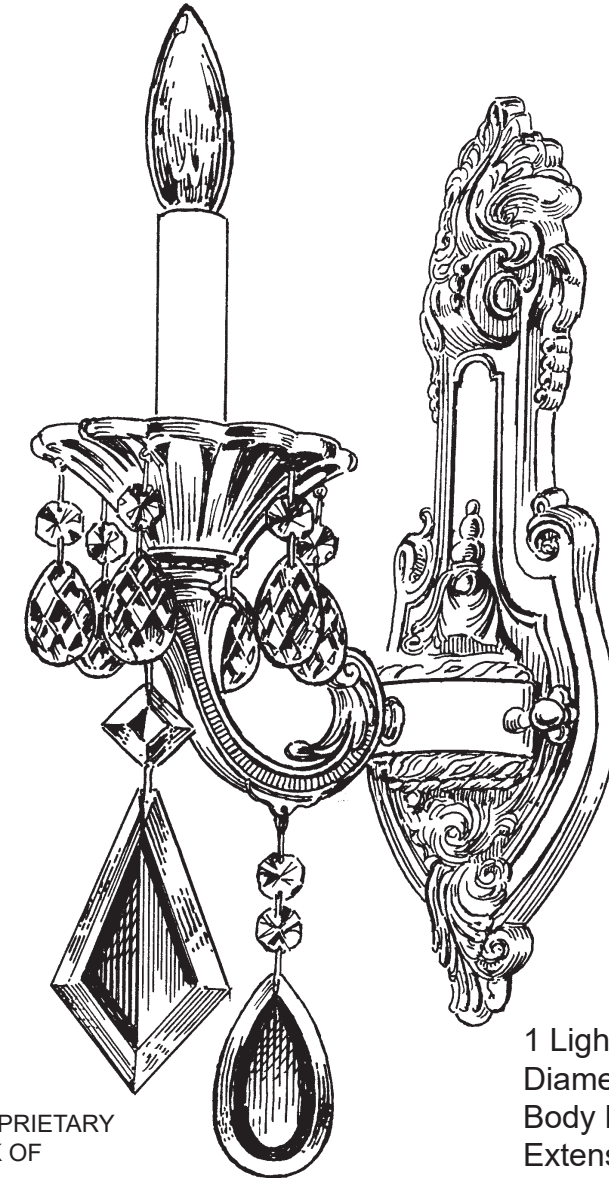
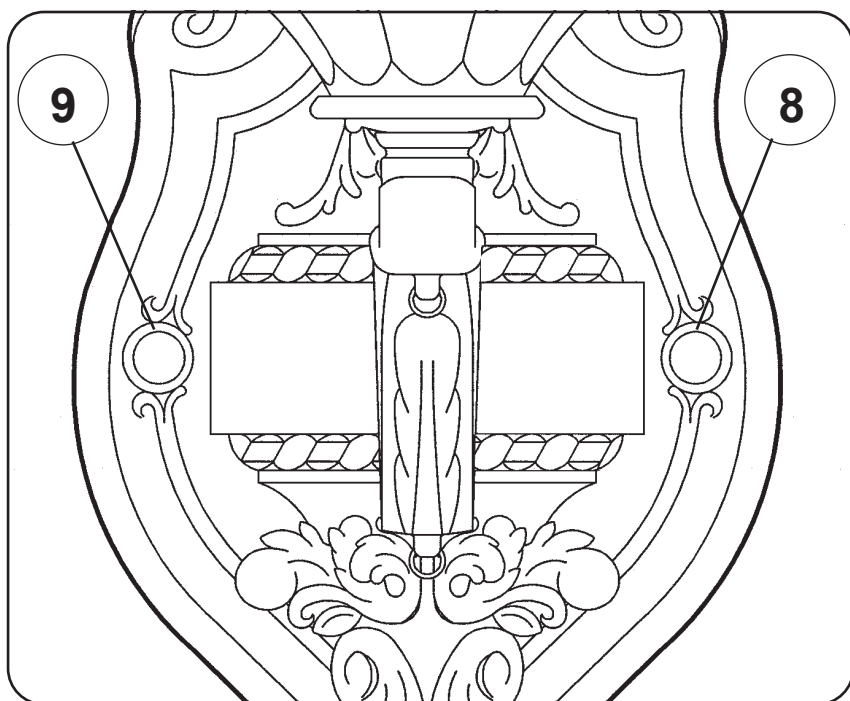
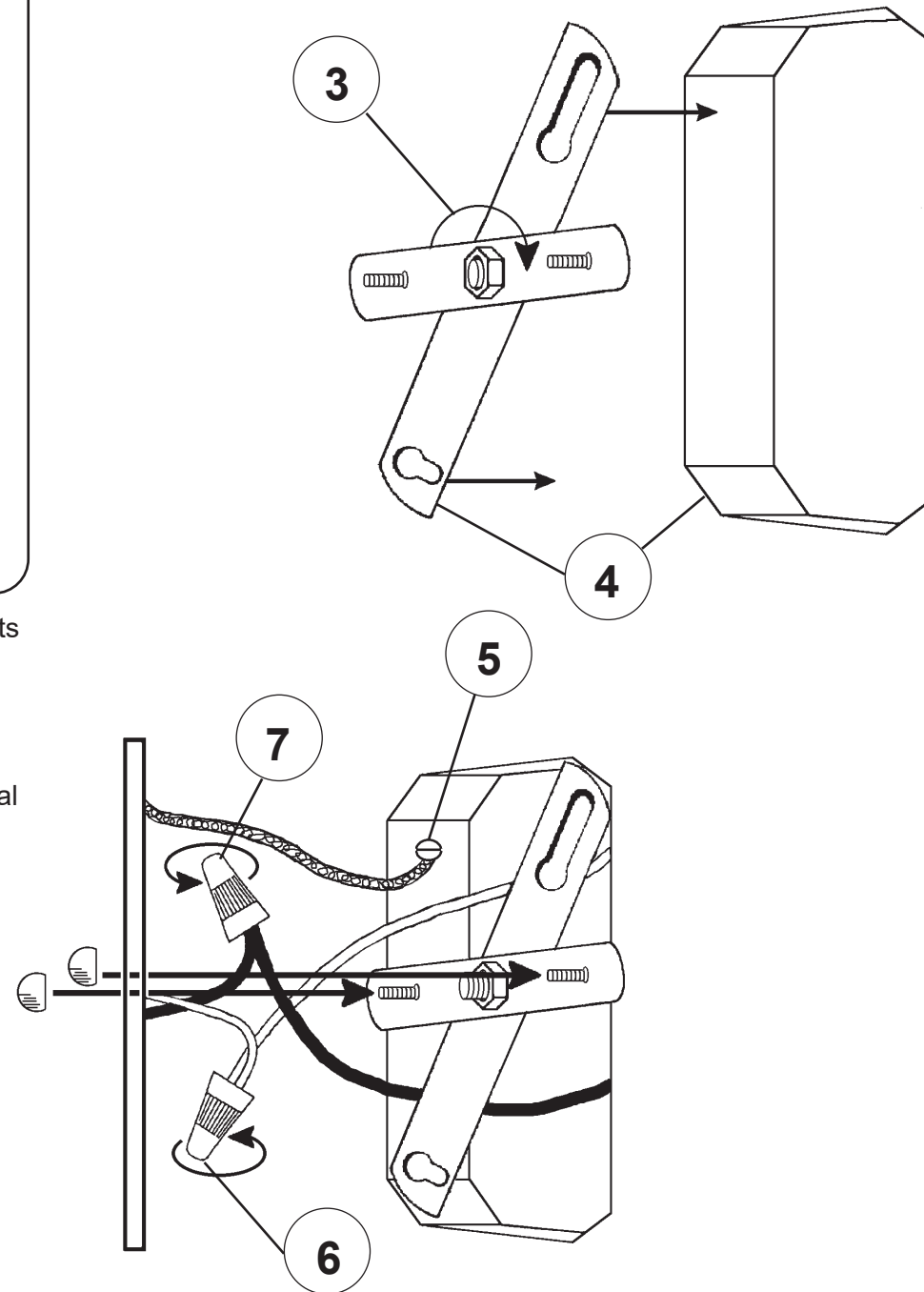


Electrical Danger



Turn Power Off

All electrical components must be installed by a licensed electrician in accordance with the National Electric Code and the appropriate local electrical codes.



1 Light
Diameter: 5"
Body Length: 16"
Extension: 8"
Hanging Weight: 3 pounds

THIS DESIGN IS THE PROPRIETARY TRADE DRESS/TRADemark OF W SCHONBEK LLC.



SCHONBEK

1870

**See diagram on back page
Follow steps in exact order
Save this trim diagram for future reference**

1

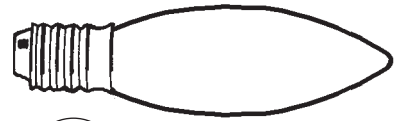
IMPORTANT
Person who opens carton should record the following information for future service.

CODE # _____ Four-digit number on outside of carton.
PACKER # _____ See crystal package label.
ORDER # _____ See crystal package label.



Instructions for crystal trimming

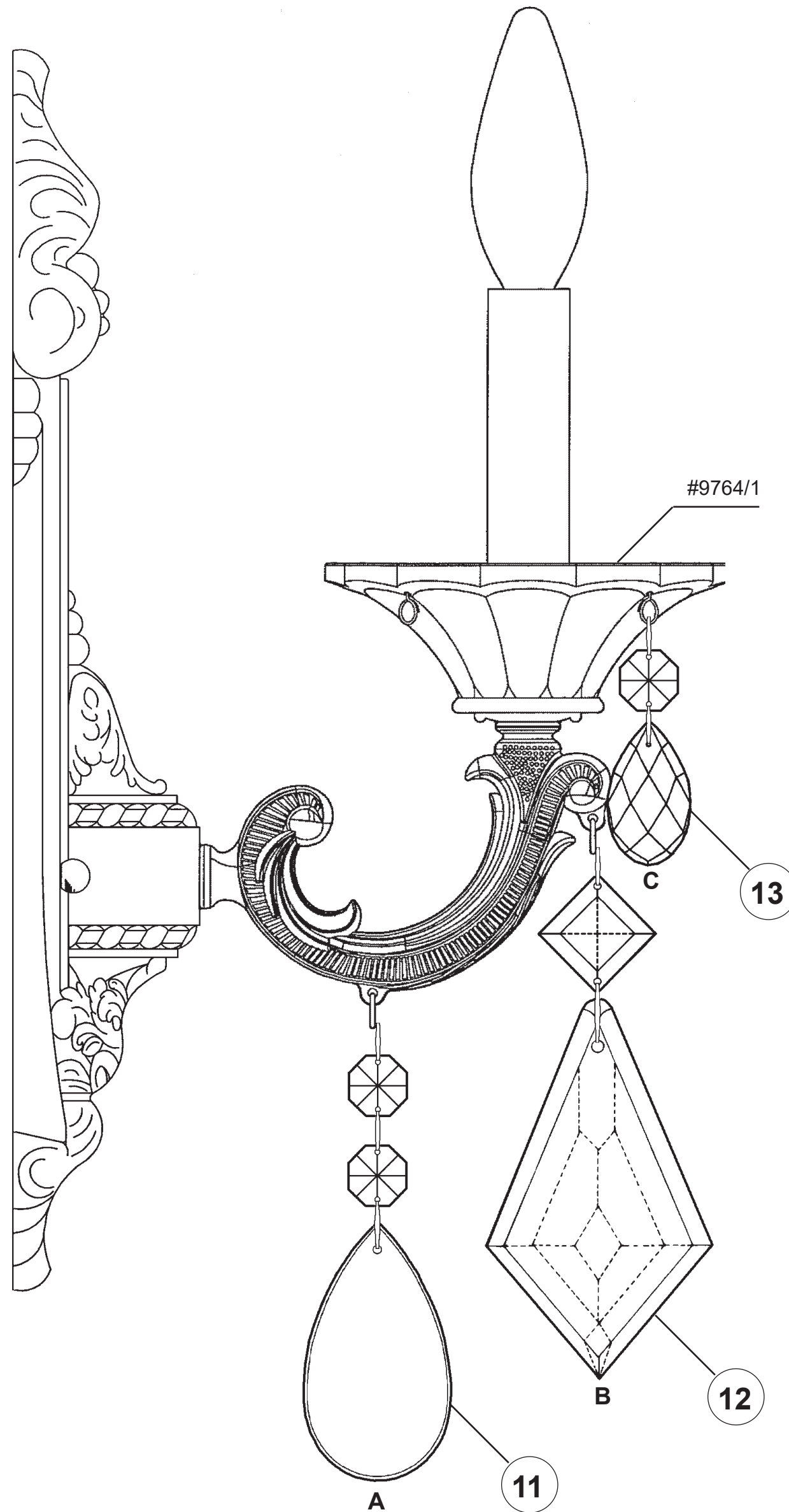
STEPS 10 - 13



10

You will need 1 - B10
25 Watts Recommended
60 Watts Max

Install bulbs and be sure
to test fixture **BEFORE**
trimming.



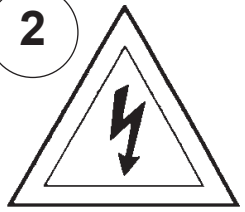
HANG
CRYSTAL
WITH FLAT
SIDE FACING
FRONT



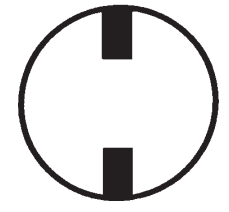
Instructions for electrician
STEPS 2 - 9

WARNING:

2

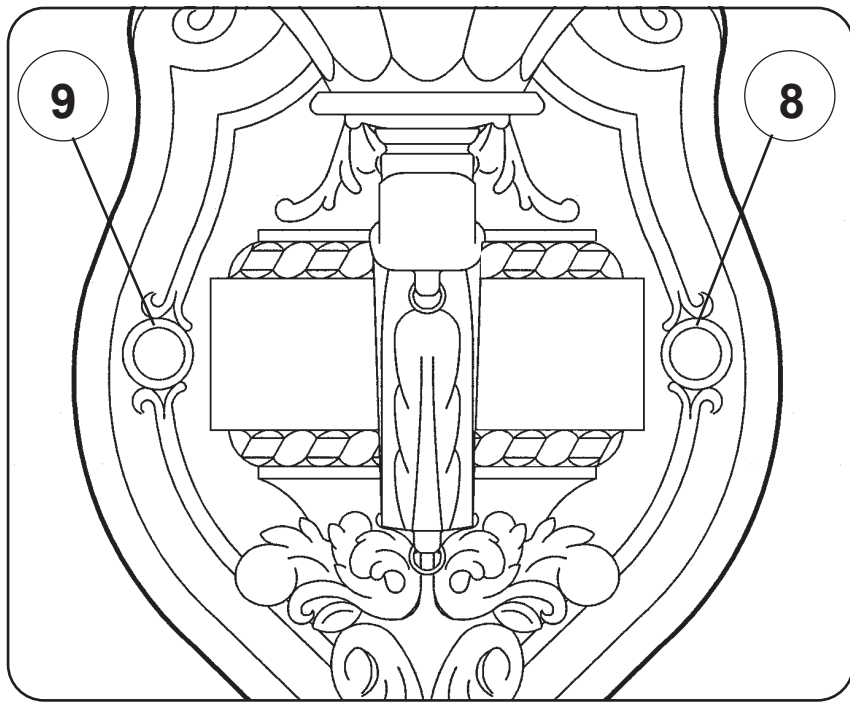
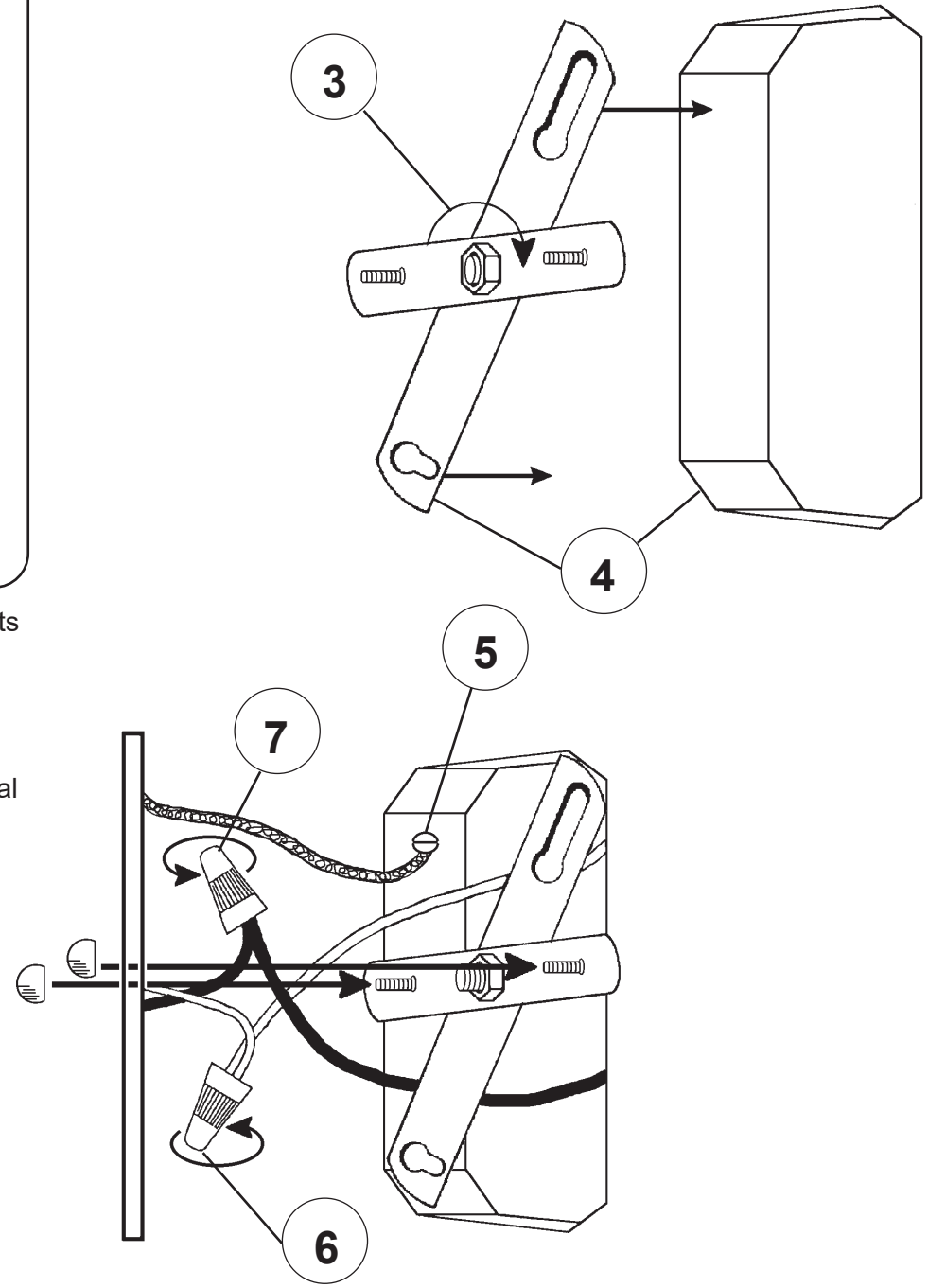


Electrical Danger

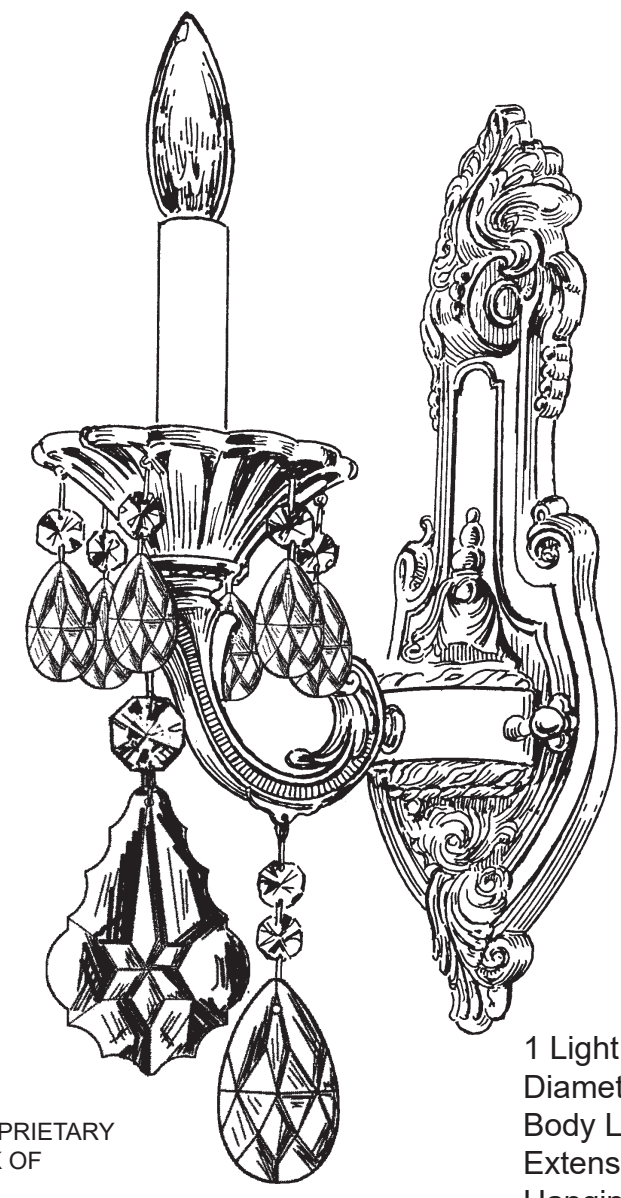


Turn Power Off

All electrical components must be installed by a licensed electrician in accordance with the National Electric Code and the appropriate local electrical codes.



CHANDELIER 5069-____R TRIM DIAGRAM
(Finish Option)



1 Light
Diameter: 5"
Body Length: 16"
Extension: 8"
Hanging Weight: 3 pounds

THIS DESIGN IS THE PROPRIETARY TRADE DRESS/TRADemark OF W SCHONBEK LLC.



See diagram on back page
Follow steps in exact order
Save this trim diagram for future reference

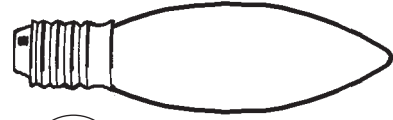
1 **IMPORTANT**
Person who opens carton should record the following information for future service.

CODE # _____	Four-digit number on outside of carton.
PACKER # _____	See crystal package label.
ORDER # _____	See crystal package label.



Instructions for crystal trimming

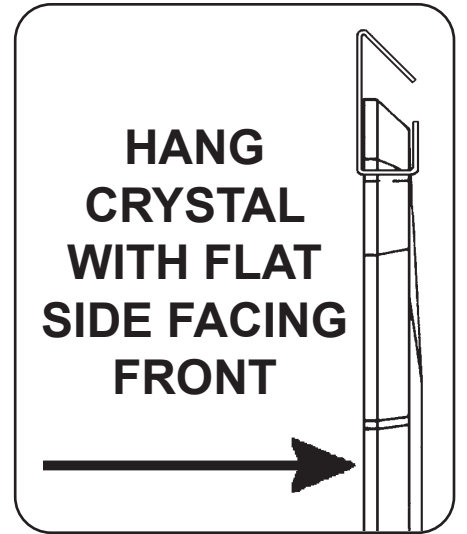
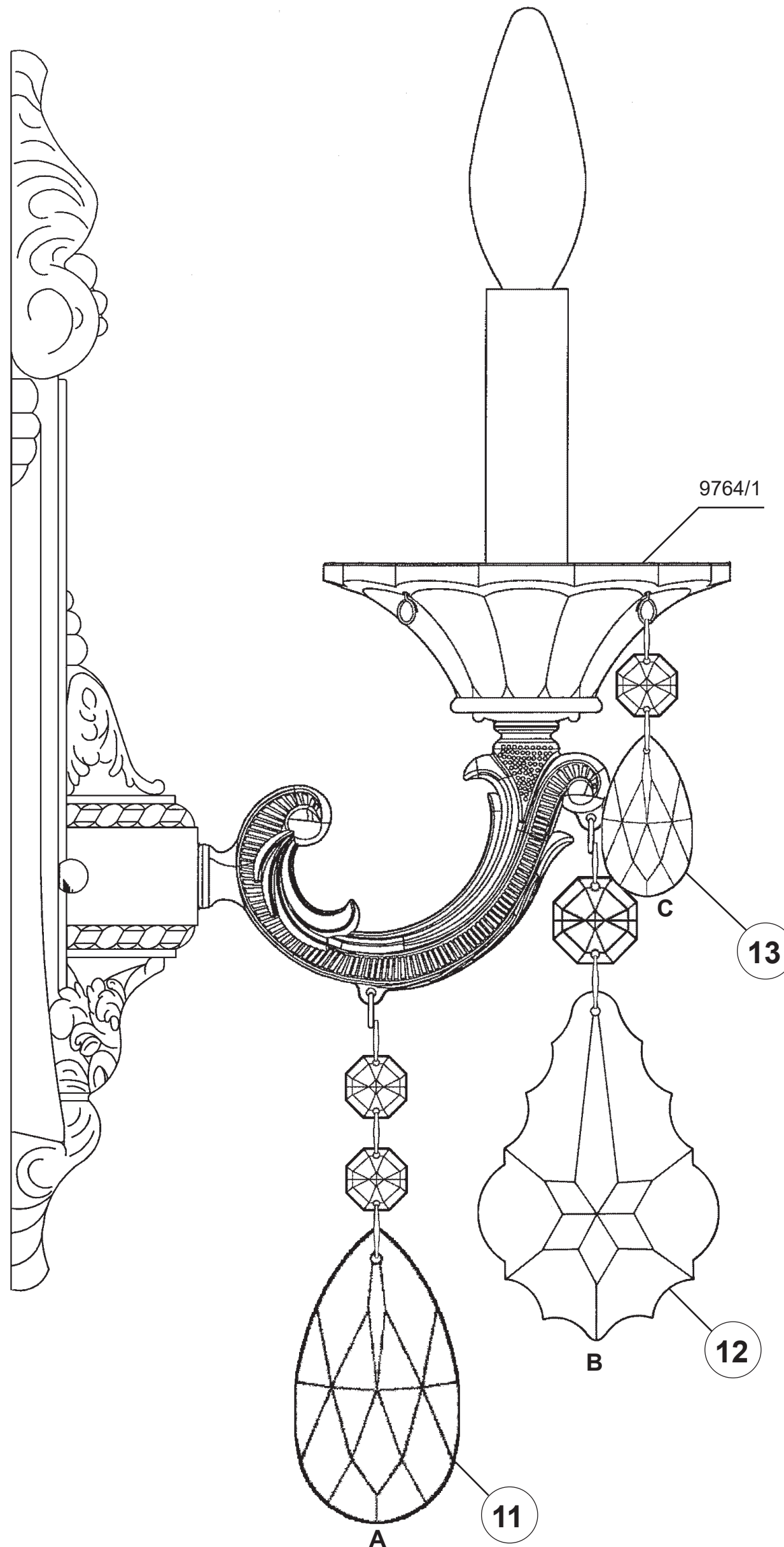
STEPS 10 - 13



10

You will need 1 - B10
25 Watts Recommended
60 Watts Max

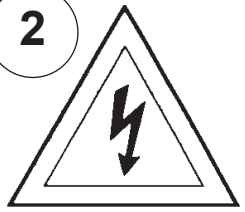
Install bulbs and be sure
to test fixture **BEFORE**
trimming.



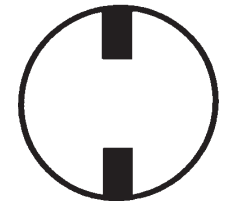
**Instructions for electrician
STEPS 2 - 9**

WARNING:

2

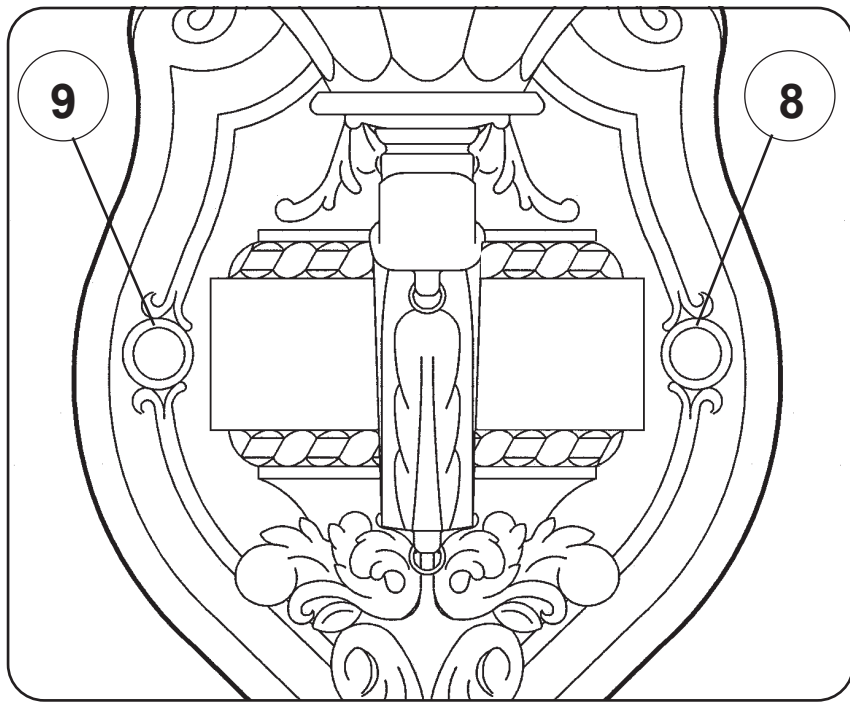
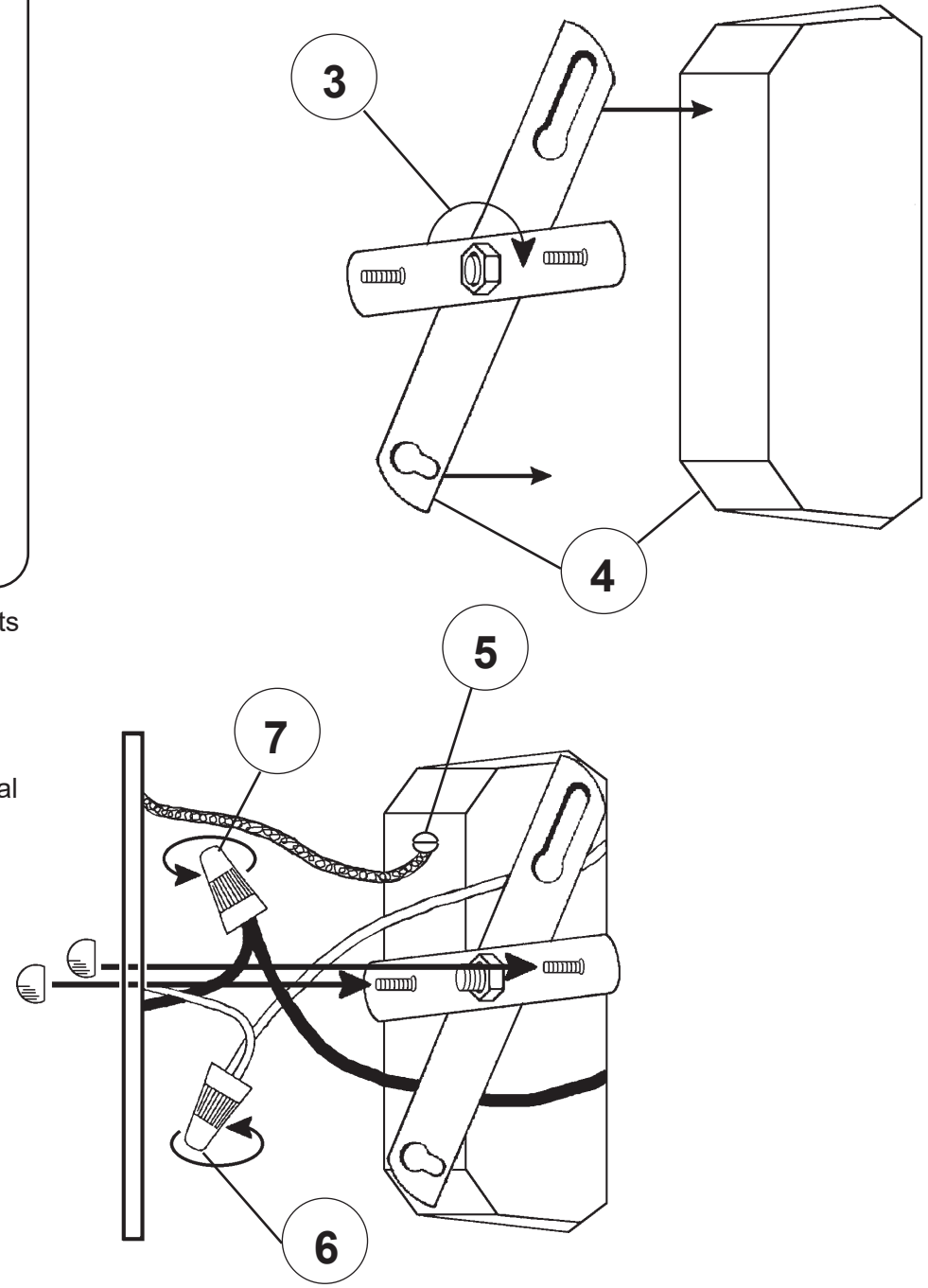


Electrical Danger

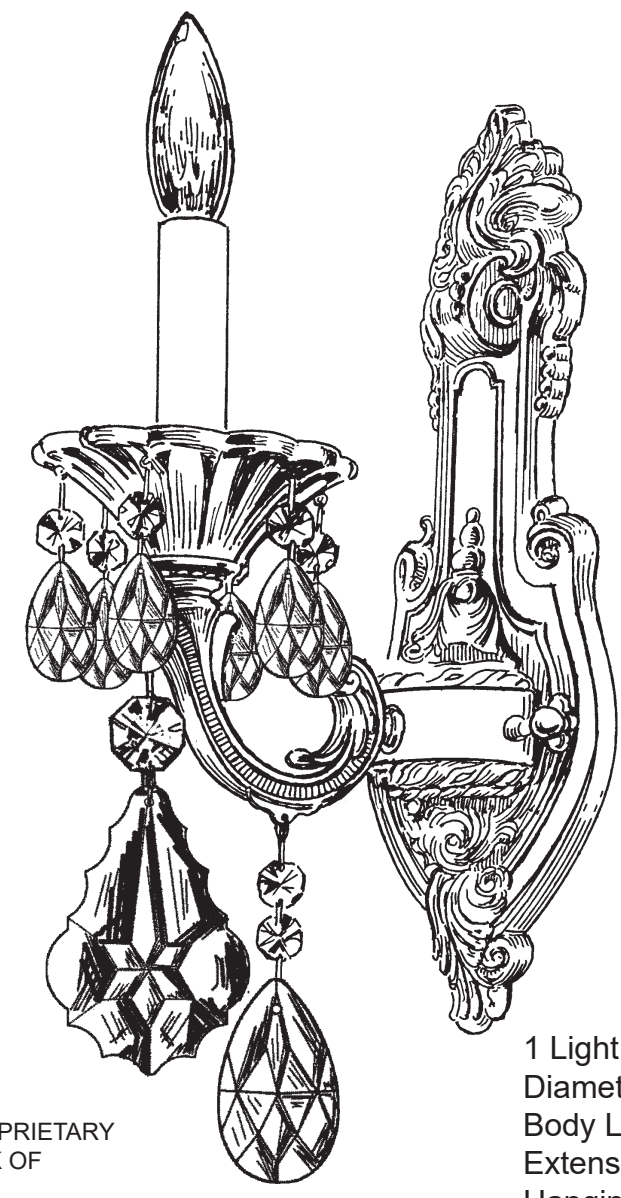


Turn Power Off

All electrical components must be installed by a licensed electrician in accordance with the National Electric Code and the appropriate local electrical codes.



CHANDELIER 5069- _____ TRIM DIAGRAM
(Finish Option) (Trim Option)



1 Light
Diameter: 5"
Body Length: 16"
Extension: 8"
Hanging Weight: 3 pounds

THIS DESIGN IS THE PROPRIETARY TRADE DRESS/TRADEMARK OF W SCHONBEK LLC.



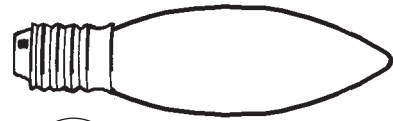
**See diagram on back page
Follow steps in exact order
Save this trim diagram for future reference**

1 **IMPORTANT**
Person who opens carton should record the following information for future service.

CODE # _____	Four-digit number on outside of carton.
PACKER # _____	See crystal package label.
ORDER # _____	See crystal package label.



Instructions for crystal trimming
STEPS 10 - 13



10

You will need 1 - B10
25 Watts Recommended
60 Watts Max

**Install bulbs and be sure
to test fixture BEFORE
trimming.**

