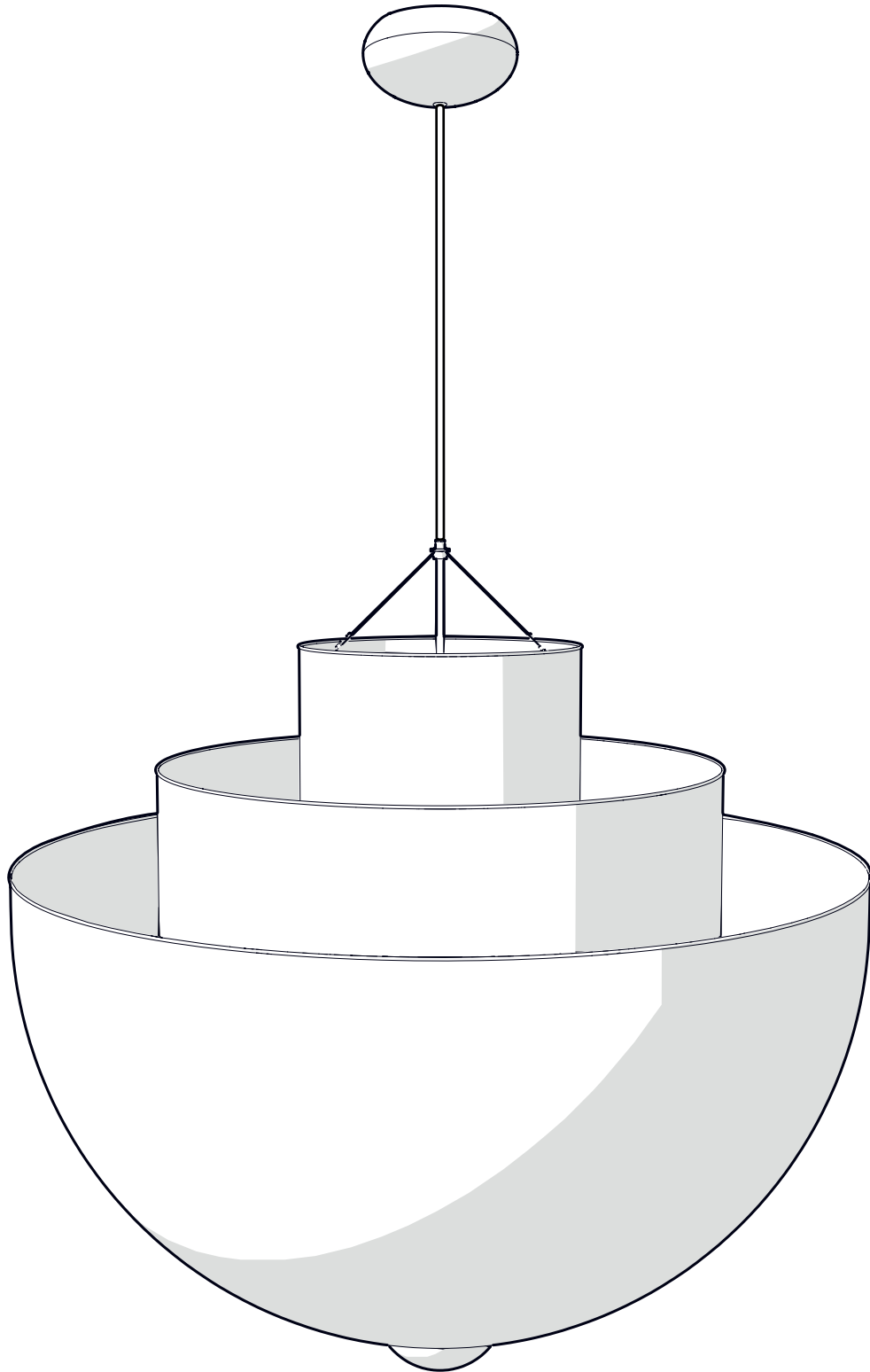


m o o o i<sup>®</sup>  
Meshmatics Chandelier



UL

visit [www.mooui.com](http://www.mooui.com) for more information about the collection

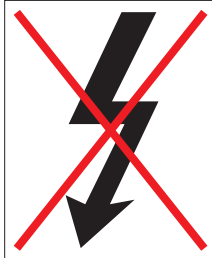
# m o o o i

## Meshmatics Chandelier

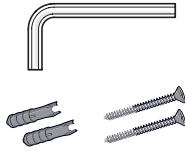


CAUTION! HANDLE THIS PRODUCT WITH CARE.

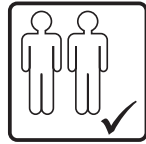
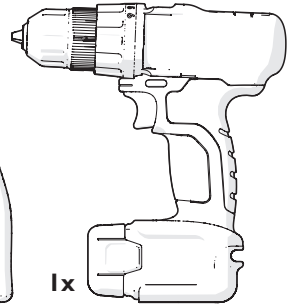
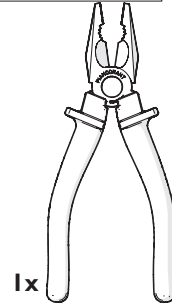
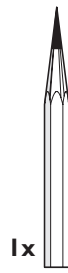
1



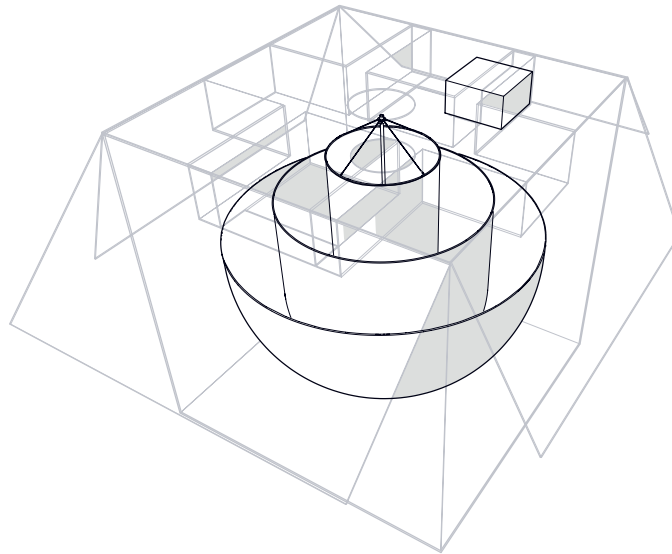
INCLUDED



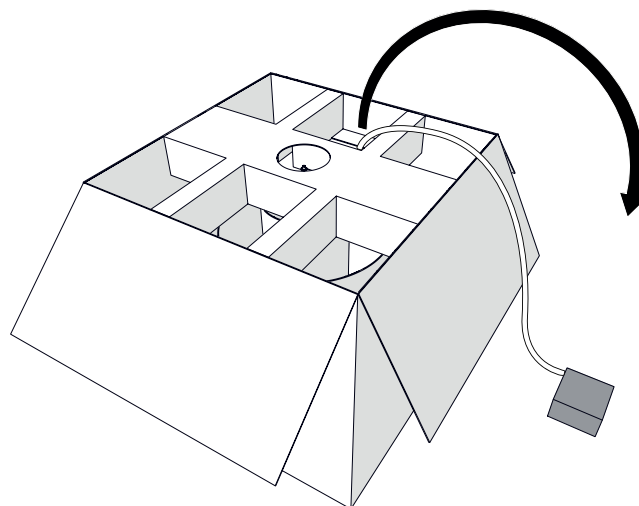
NOT INCLUDED 



2



3

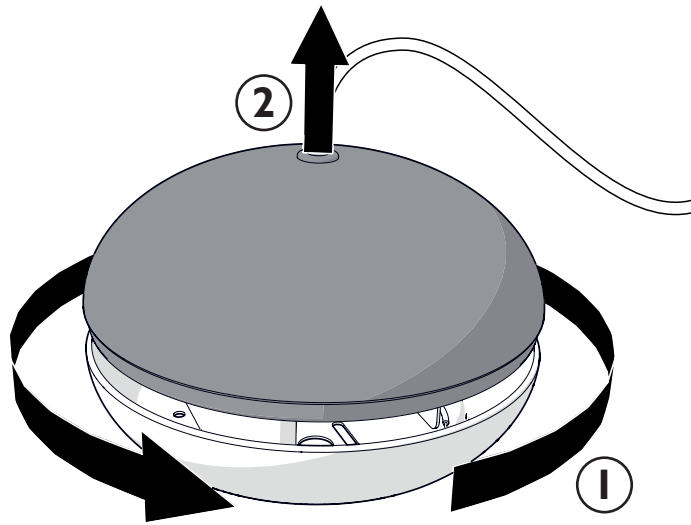


visit [www.mooui.com](http://www.mooui.com) for more information about the collection

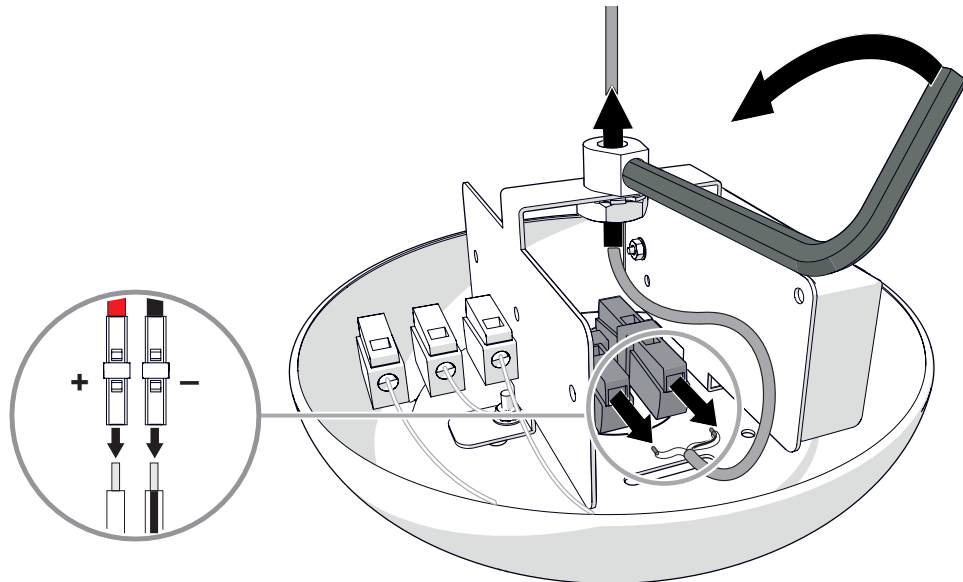
# m o o o i

Meshmatics Chandelier

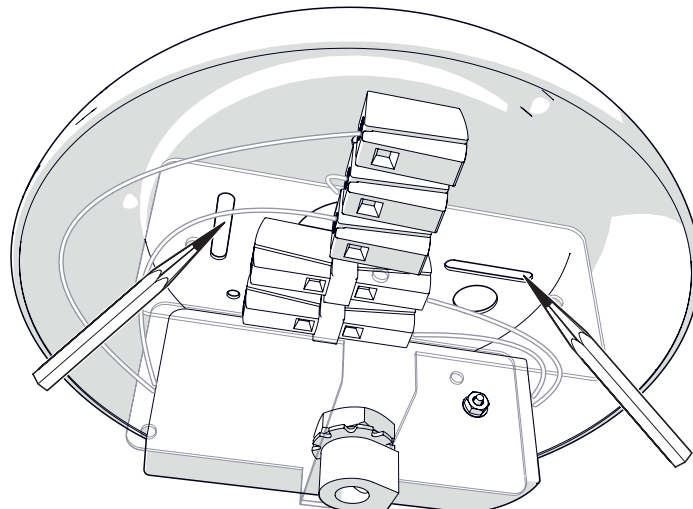
4



5



6

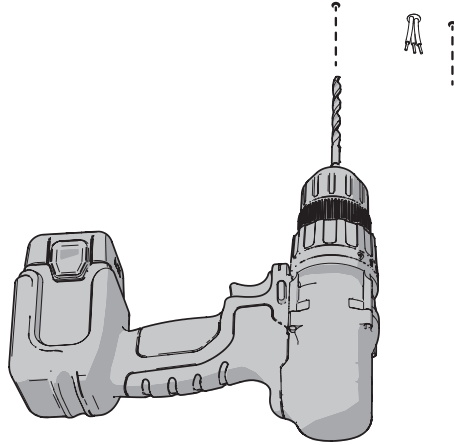


visit [www.mooui.com](http://www.mooui.com) for more information about the collection

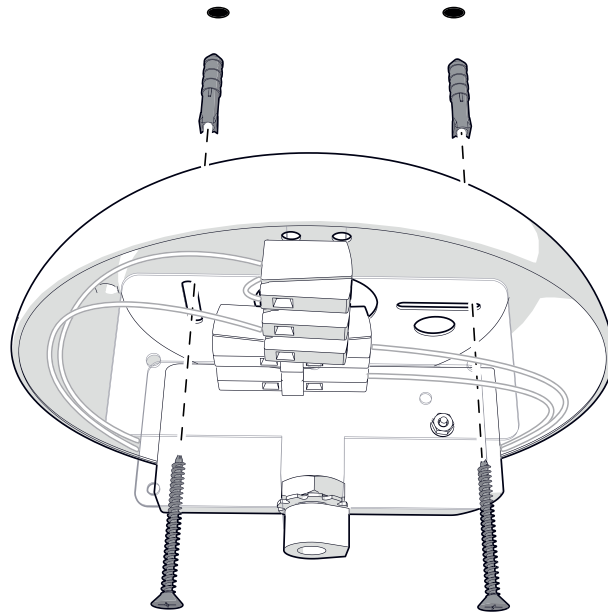
# m o o o i

Meshmatics Chandelier

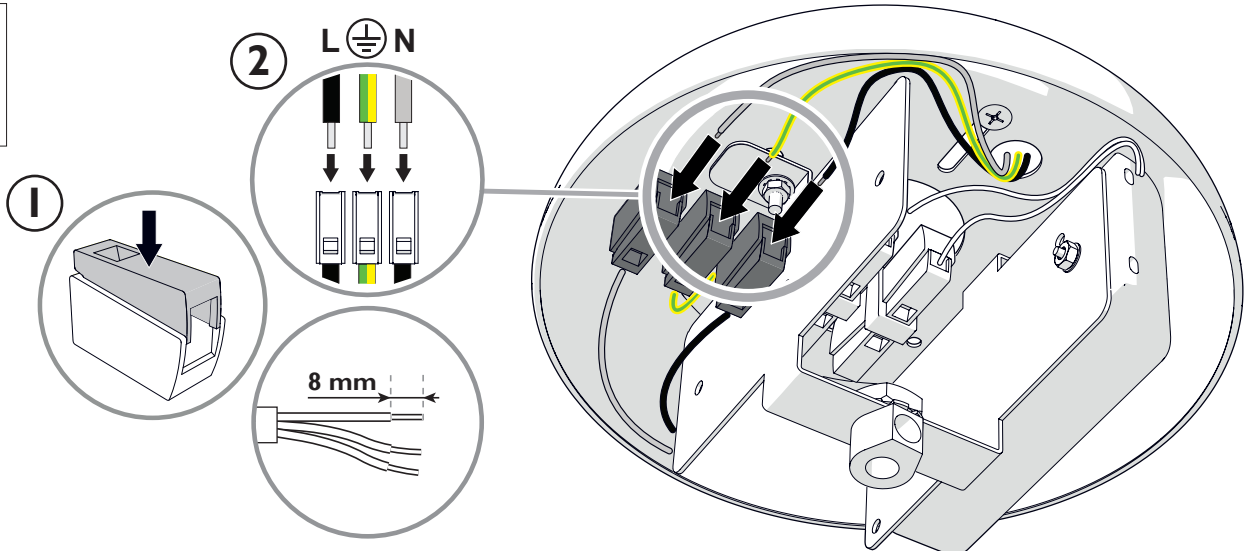
7



8



9

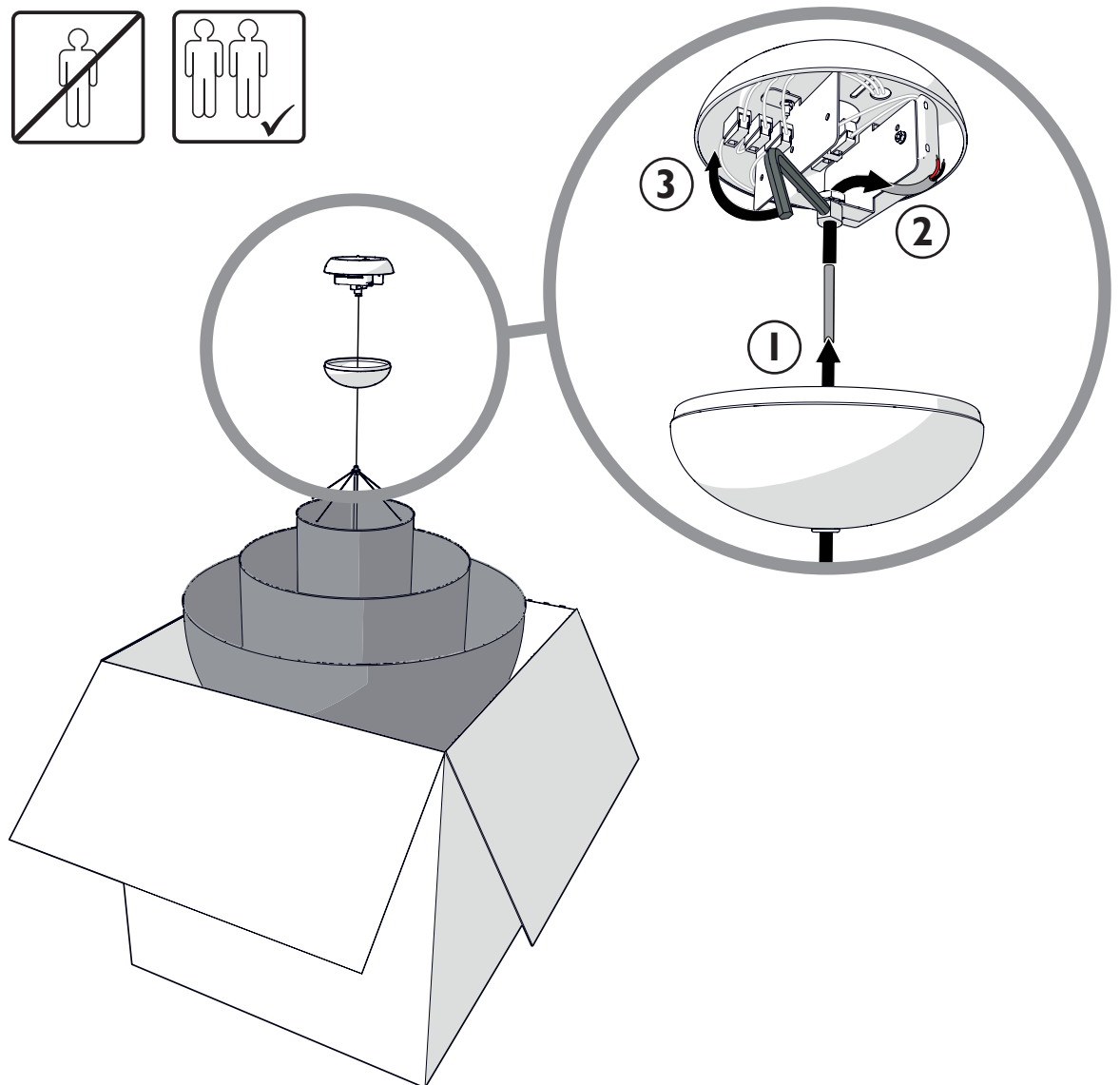
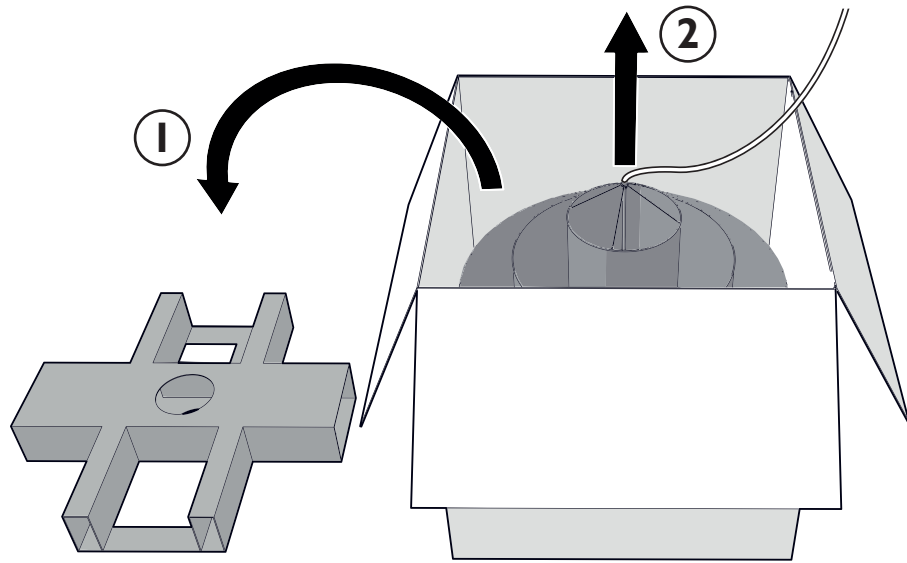


visit [www.mooui.com](http://www.mooui.com) for more information about the collection

# moooi

Meshmatics Chandelier

10

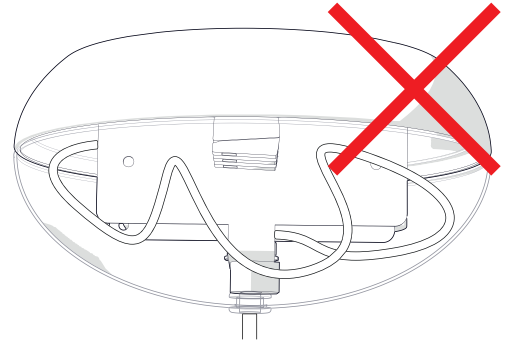
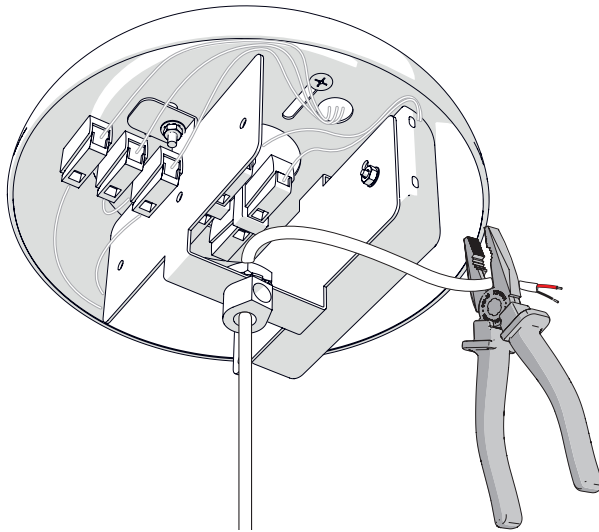


visit [www.moooi.com](http://www.moooi.com) for more information about the collection

# m o o o i

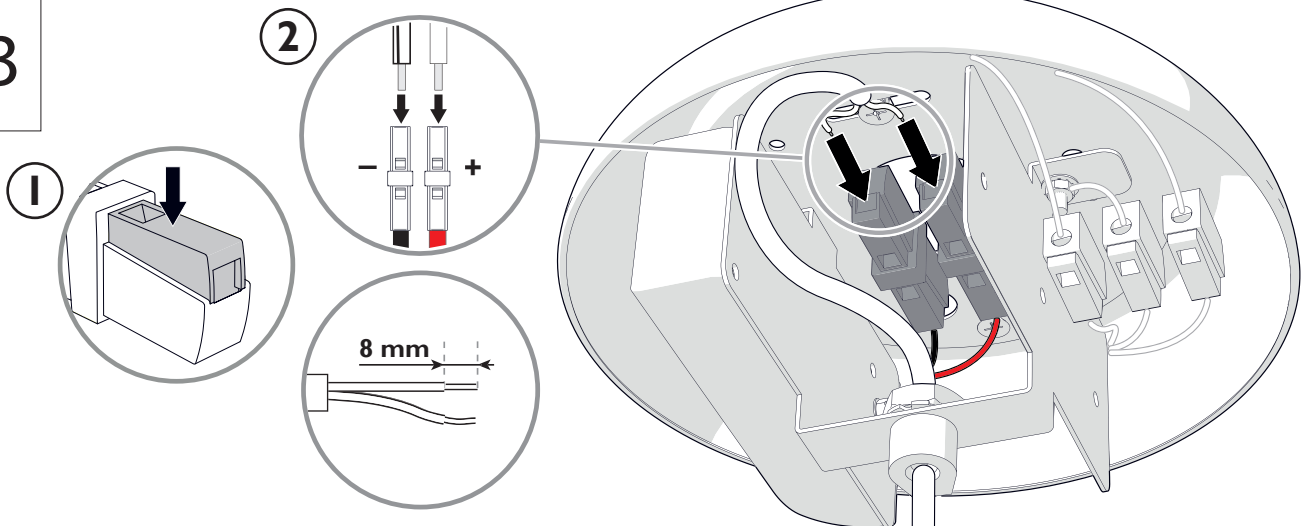
Meshmatics Chandelier

12

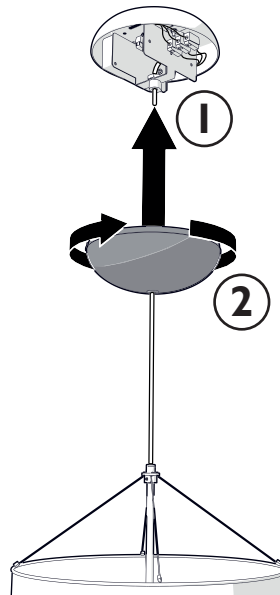


**IMPORTANT NOTE**  
MAKE SURE THE EXCESS CABLE IS  
SHORTER THAN 10CM (4")

13



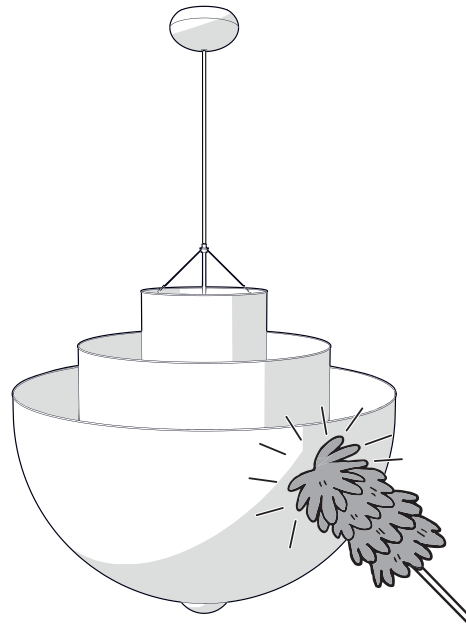
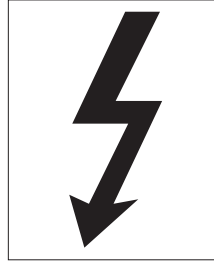
14



visit [www.mooui.com](http://www.mooui.com) for more information about the collection

# m o o o i<sup>®</sup>

Meshmatics Chandelier



visit [www.mooui.com](http://www.mooui.com) for more information about the collection