



**PUNK 452 C 92740 DIM8**◇

6 471 222 922 ED8 ◇

◇ = B / BP / GC

**PUNK 452 C 93040 DIM8**◇

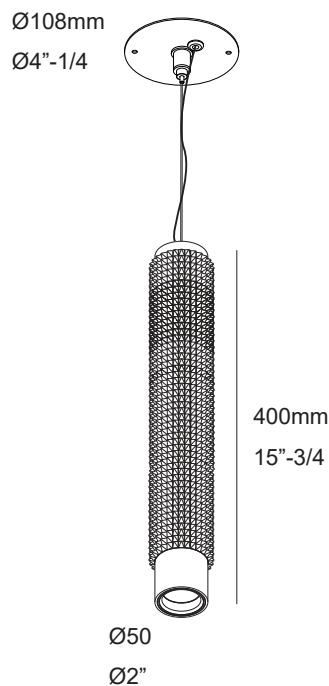
6 471 222 932 ED8 ◇

◇ = B / BP / GC

**PUNK 452 C 93540 DIM8**◇

6 471 222 952 ED8 ◇

◇ = B / BP / GC



**Application**

Ceiling surface mounted pendant luminaire  
Installation to a standard 4" octagonal J-box  
For indoor use only

**Color Finish**

B - BLACK  
BP - BLACK PURE  
GC - GOLD COLORED

**Light source**

1 x LED WHITE 6,4W

**Product description**

Powder coated aluminum assembly  
Input voltage: 120V - 50/60Hz  
1x Adjustable Cable 3x18 AWG 5'(1,6m) long  
Suitable for damp locations  
Protected against solid objects greater than 12mm → IP20  
Weight: 2lbs 0,9kg

**Dimensions**

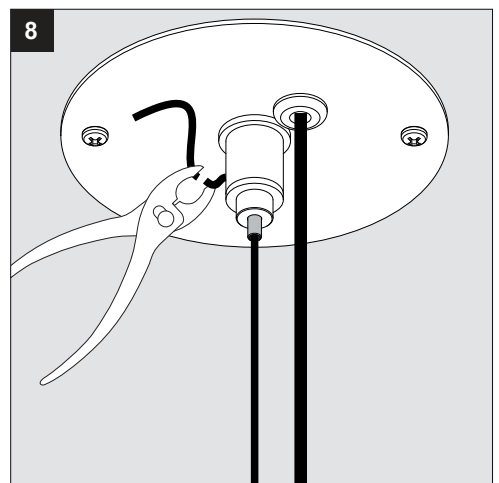
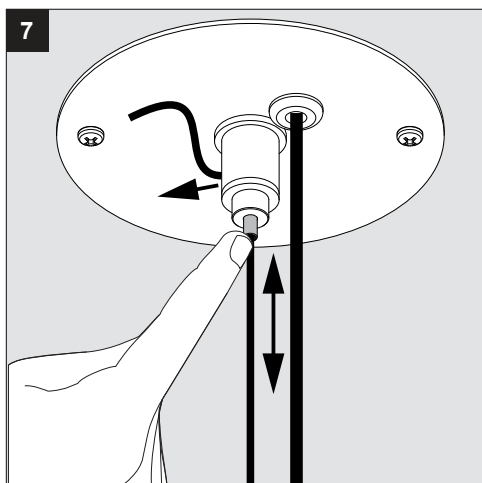
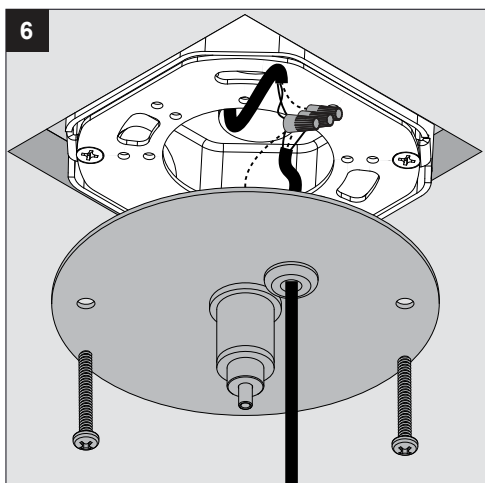
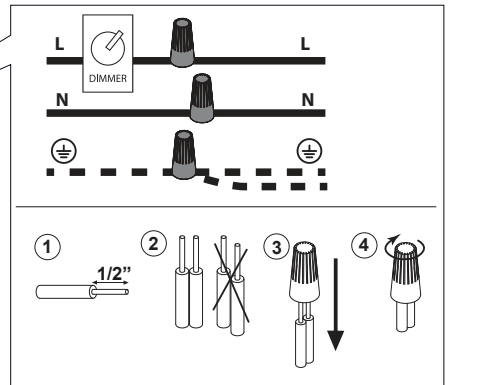
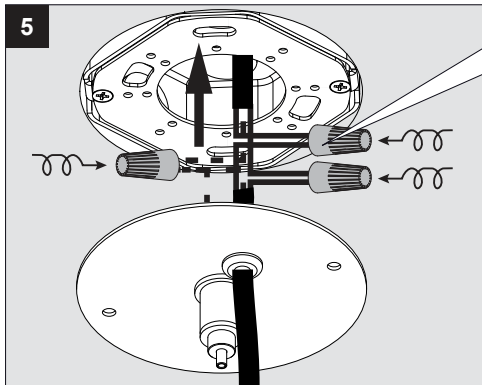
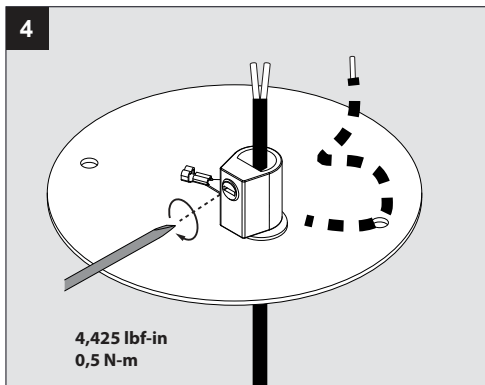
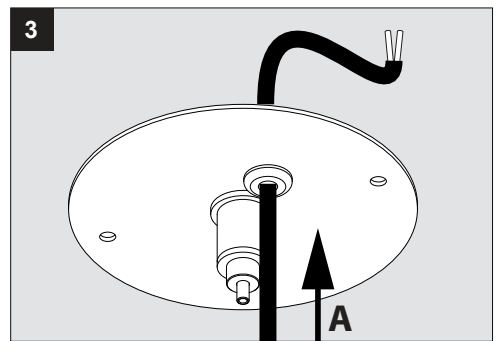
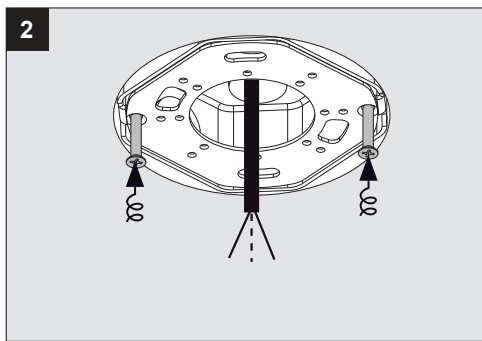
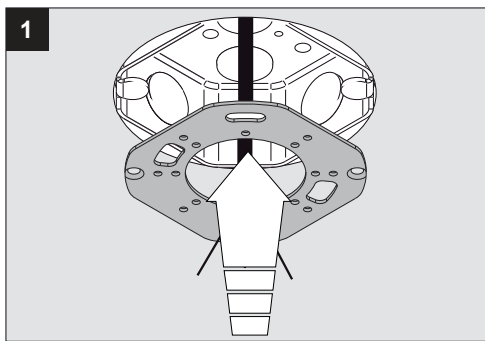
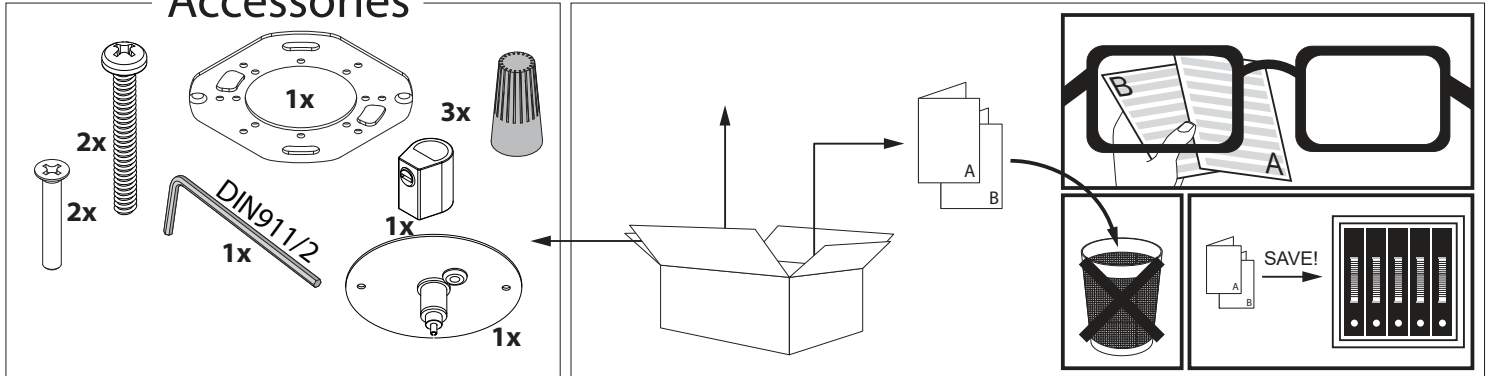
Height: 400mm / 15"-3/4  
Diameter: Ø50mm / Ø2"

**Required**

414 03 00 Midispy tube

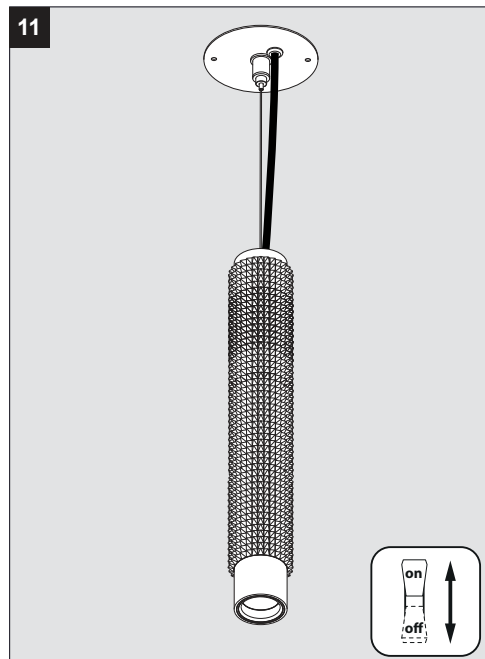
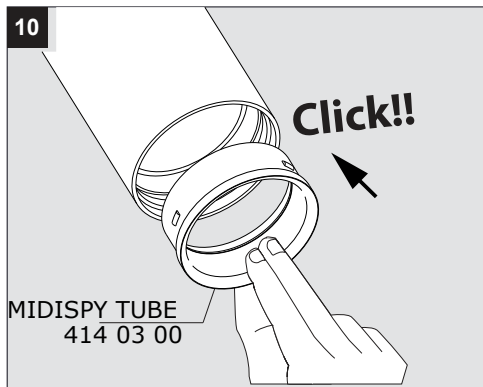
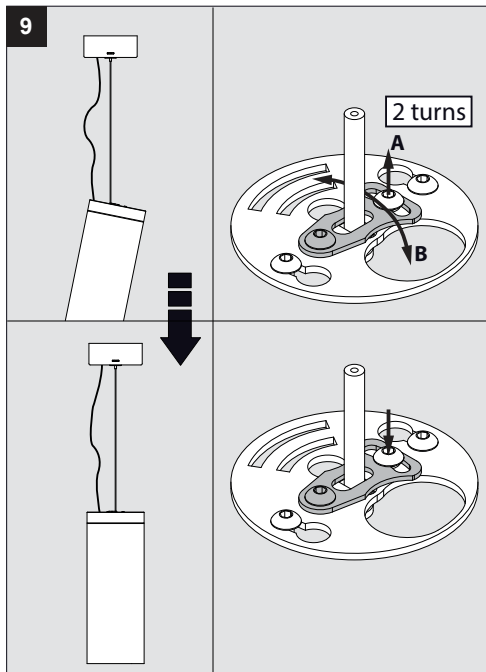
**INSTALLATION LUMINAIRE**

Accessories





# INSTALLATION LUMINAIRE



De verlichtingsbron van dit verlichtingstoestel zal enkel door de fabrikant of door de fabrikant aangestelde installateur vervangen worden.

La source lumière de cet appareil ne sera remplacée que par l'entreprise ou par un agent reconnu.

Das enthaltene Leuchtmittel sollte nur durch entsprechendes Fachpersonal ersetzt werden.

The light source contained in this luminaire shall only be replaced by the manufacturer or his service agent.

La fuente de iluminación que tiene esta luminaria sólo puede remplazarse por el fabricante o por un instalador autorizado.

La sorgente luminosa incorporata in questo apparecchio può essere sostituita solo dal produttore, da un suo centro assistenza oppure da una persona in possesso della necessaria abilitazione.