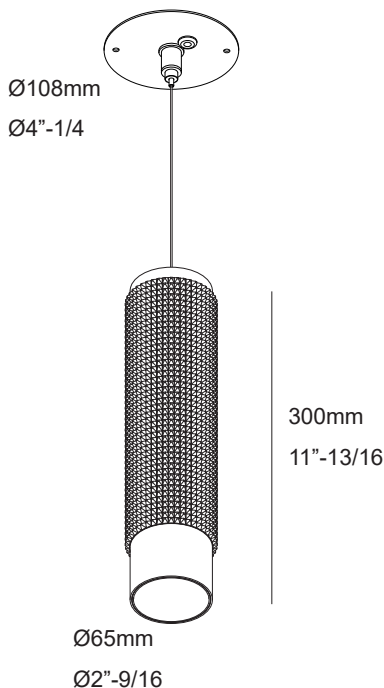


- PUNK 622 C 92733 DIM8◇
- 6 471 322 811 922◇
- ◇ = B / BP / GC
- PUNK 622 C 93033 DIM8◇
- 6 471 322 811 932◇
- ◇ = B / BP / GC
- PUNK 622 C 93533 DIM8◇
- 6 471 322 811 952◇
- ◇ = B / BP / GC



**Application**

Ceiling surface mounted pendant luminaire  
 Installation to a standard 4" octagonal J-box  
 For indoor use only

**Color Finish**

B - BLACK  
 BP - BLACK PURE  
 GC - GOLD COLORED

**Light source**

1 x LED WHITE 7,1W

**Product description**

Powder coated aluminum assembly  
 Input voltage: 120V - 50/60Hz  
 1x Adjustable Cable 3x18 AWG 5'(1,6m) long  
 Suitable for damp locations  
 Protected against solid objects greater than 12mm ➔ IP20  
 Weight: 2,5lbs 2,1kg

**Dimensions**

Height: 300mm / 11"-13/16  
 Diameter: Ø65mm / Ø2"-9/16

**Required**

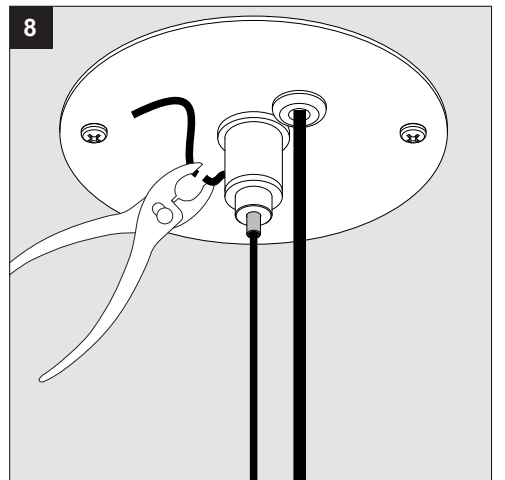
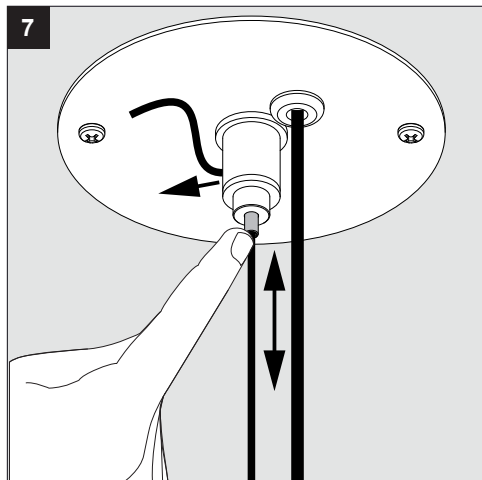
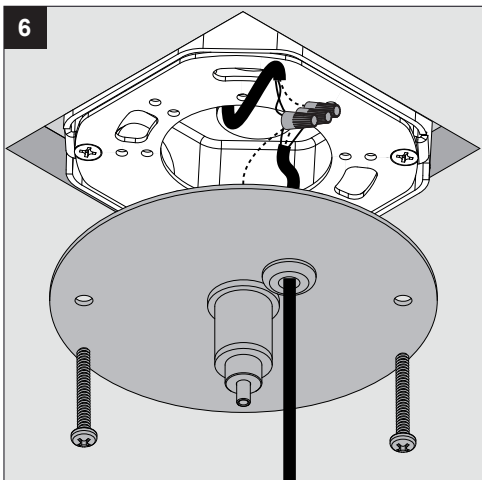
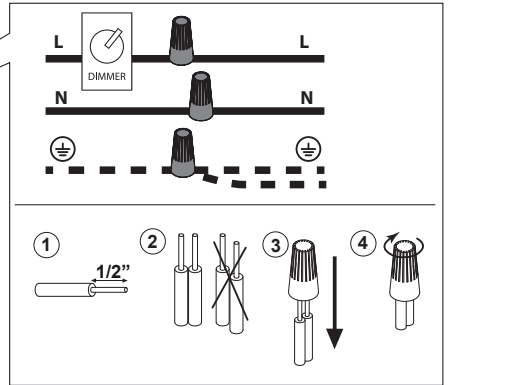
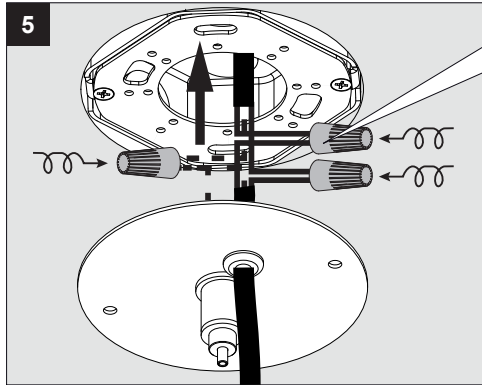
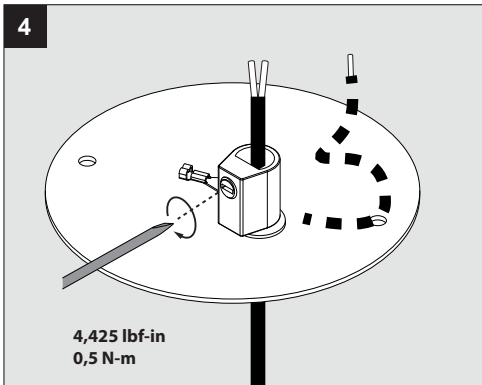
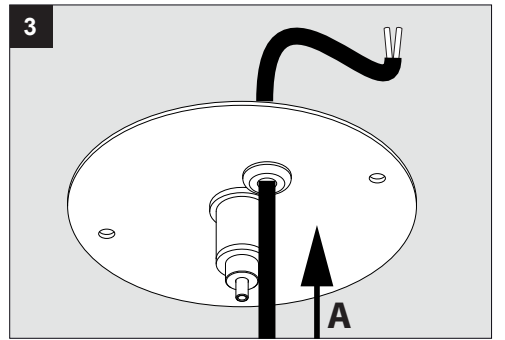
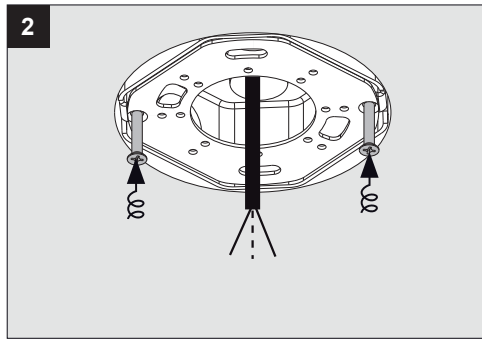
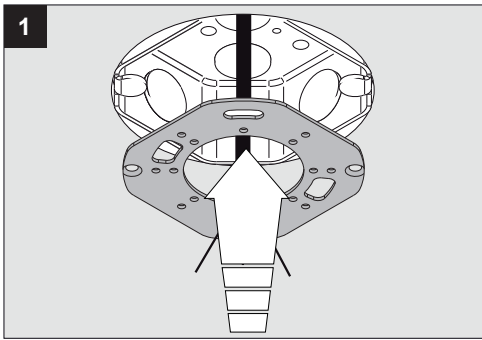
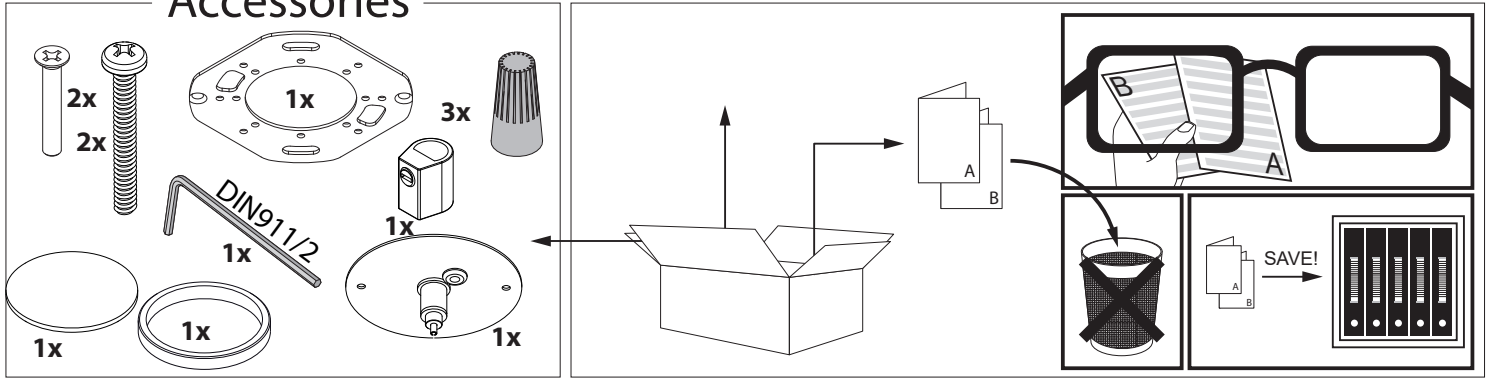
414 01 00 Spy tube

**Accessories**

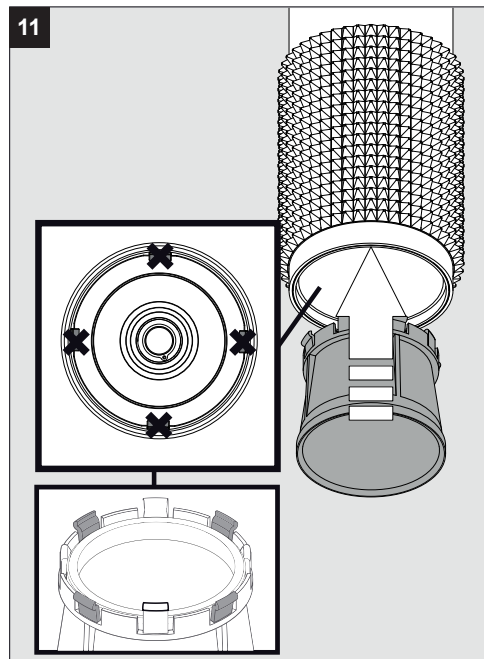
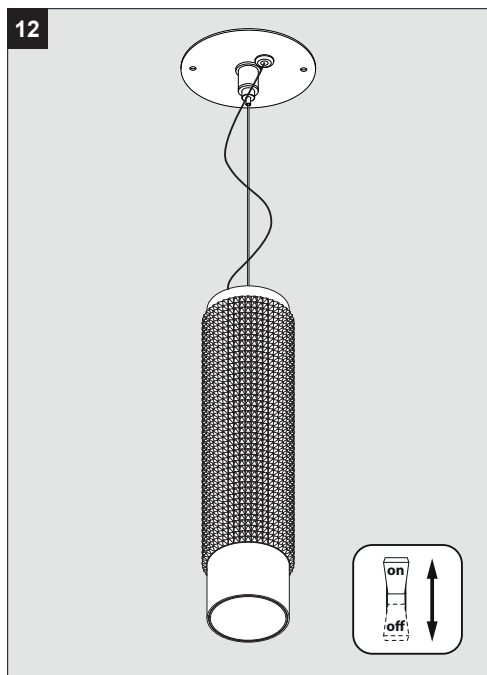
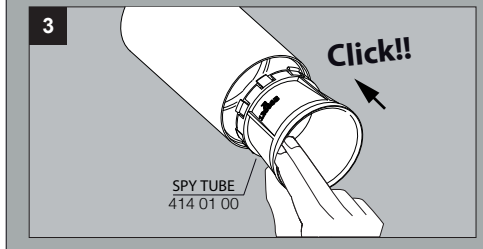
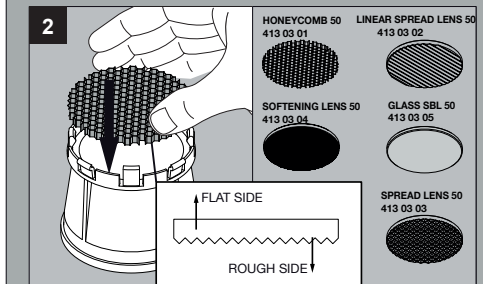
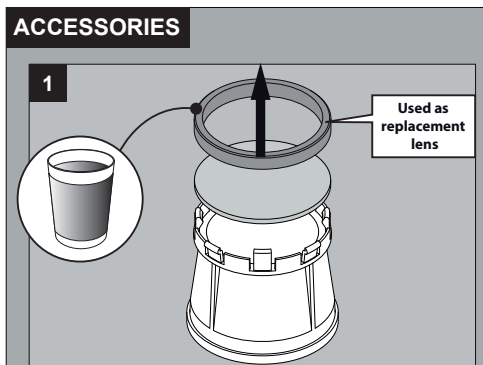
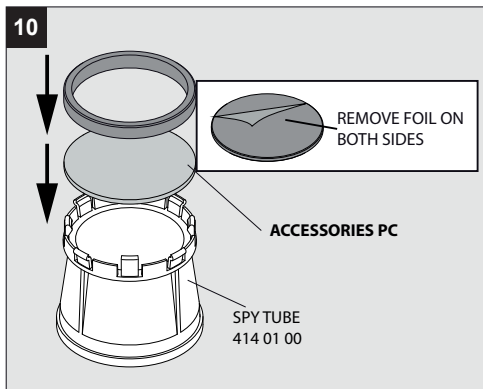
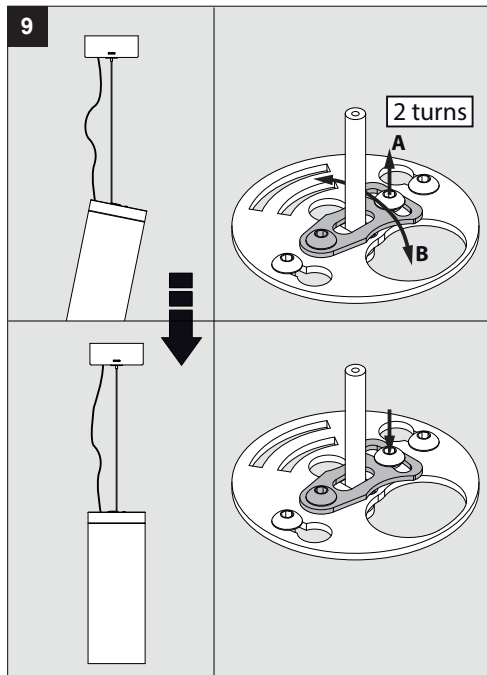
413 03 01 Honeycomb 50  
 413 03 02 Linear spread lens 50  
 413 03 03 Spread lens 50  
 413 03 04 Softening lens 50  
 413 03 05 Glass SBL 50

**INSTALLATION LUMINAIRE**

Accessories



**INSTALLATION LUMINAIRE**



De verlichtingsbron van dit verlichtingstoestel zal enkel door de fabrikant of door de fabrikant aangestelde installateur vervangen worden.

La source lumineuse de cet appareil ne sera remplacée que par l'entreprise ou par un agent reconnu.

Das enthaltene Leuchtmittel sollte nur durch entsprechendes Fachpersonal ersetzt werden.

The light source contained in this luminaire shall only be replaced by the manufacturer or his service agent.

La fuente de iluminación que tiene esta luminaria sólo puede remplazarse por el fabricante o por un instalador autorizado.

La sorgente luminosa incorporata in questo apparecchio può essere sostituita solo dal produttore, da un suo centro assistenza oppure da una persona in possesso della necessaria abilitazione.