

SUPERLOOP-HEDRA ON 82715 MDL◇

6 418 368 821 MDL◇

◇ = BBR / GC

SUPERLOOP-HEDRA ON 83015 MDL◇

6 418 368 831 MDL◇

◇ = BBR / GC

SUPERLOOP-HEDRA ON 83515 MDL◇

6 418 368 851 MDL◇

◇ = BBR / GC



Application

Light module for Deltalight Superloop MDL combination luminaire
For indoor use only

Color Finish

BBR - Black Bronze
GC - Gold Colored

Light source

1x LED White 6W

Product description

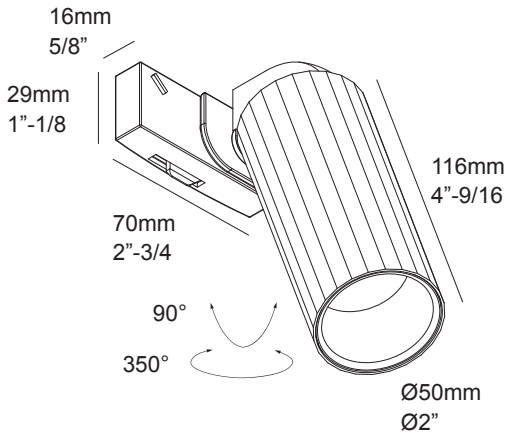
Locks into superloop MDL fitting (not supplied)
Dimming by DALI / 1-10V control / PUSH button via 48V Modulator (not supplied)
Input voltage: 48V-DC, Class 2
Excl. LED power supply 48V-DC
Suited for dry and damp locations
Protected against solid objects greater than 12mm ➔ IP20
Weight: 0,7lbs 0,3kg

Optional

LED Power supply 48V-DC / 90W	6 300 89 48 96
Modulator 48V-DC / DIM9	6 300 90 011
Superloop powerbox L - 48V-DC / 60W	6 418 48 060
Superloop powerbox H - 48V-DC / 90W	6 418 48 090
Vizir honeycomb	473 03 01
Vizir softening lens	473 03 04

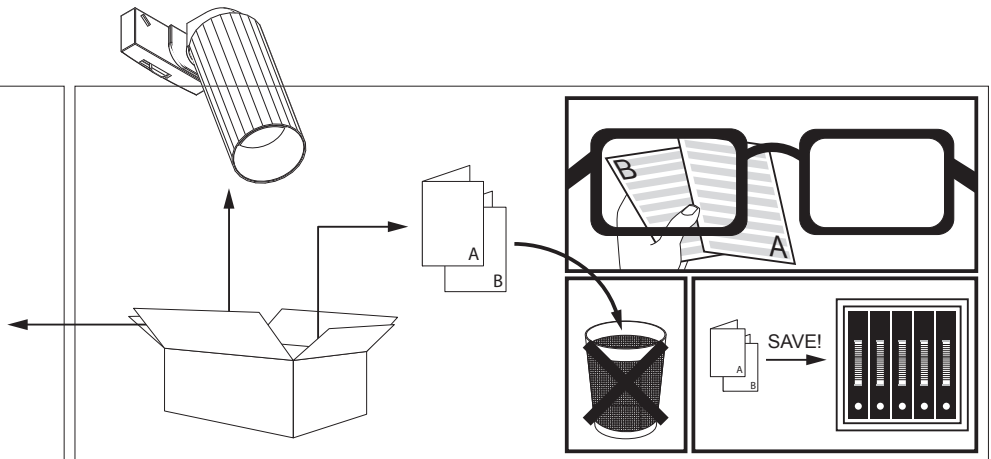
Required

Vizir tube	473 01 00
Superloop HC 70 MDL	6 418 481 07
or	
Superloop HC 90 MDL	6 418 481 09
or	
Superloop HC 120 MDL	6 418 481 12
or	
Superloop HC 170 MDL	6 418 481 17
or	
Superloop S HC 106 MDL	6 418 482 106
or	
Superloop S HC 109 MDL	6 418 482 109
or	
Superloop S HC 211 MDL	6 418 482 211
or	
Superloop S HC 217 MDL	6 418 482 217



 **INSTALLATION LUMINAIRE**

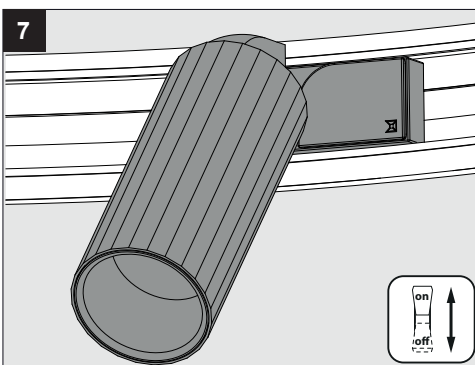
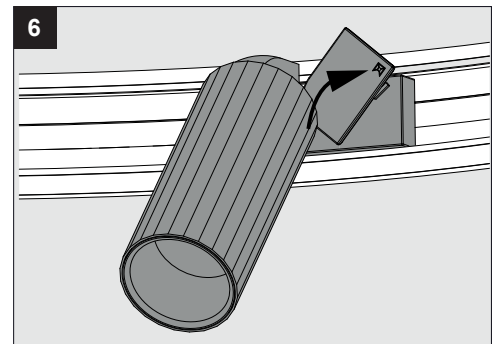
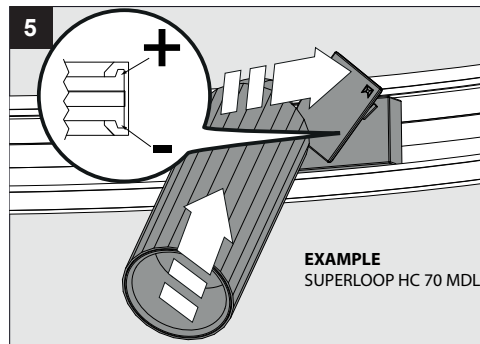
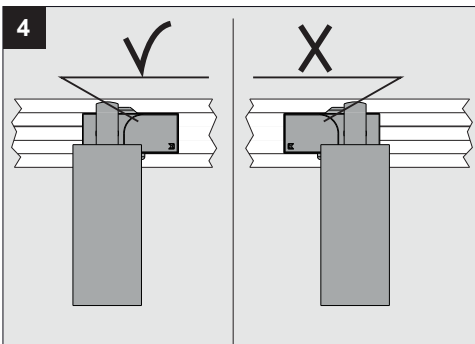
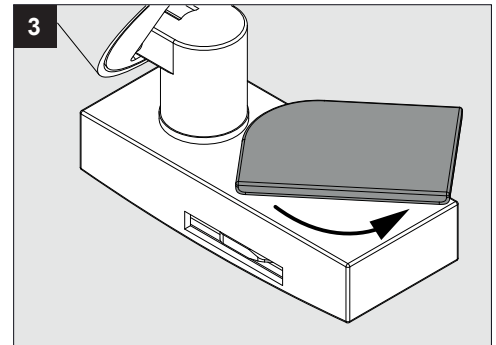
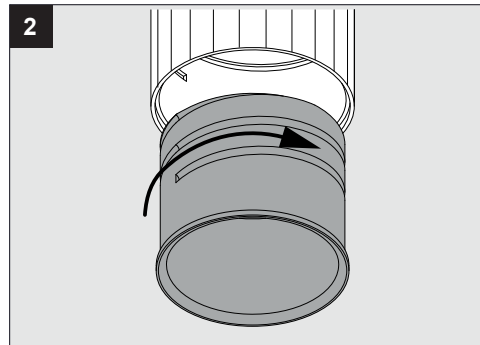
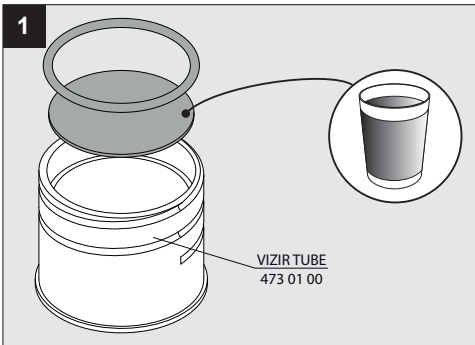
Accessories



REQUIRED

Superloop HC 70 MDL or Superloop HC 90 MDL or Superloop HC 120 MDL or Superloop HC 170 MDL or	6 418 481 07 6 418 481 09 6 418 481 12 6 418 481 17	Superloop S HC 106 MDL or Superloop S HC 109 MDL or Superloop S HC 211 MDL or Superloop S HC 217 MDL Vizir tube	6 418 482 106 6 418 482 109 6 418 482 211 6 418 482 217 473 01 00
--	--	--	---

Profile
Max 250W
LED
Max 150W



De verlichtingsbron van dit verlichtingstoestel zal enkel door de fabrikant of door de fabrikant aangestelde installateur vervangen worden.

La source lumière de cet appareil ne sera remplacée que par l'entreprise ou par un agent reconnu.

Das enthaltene Leuchtmittel sollte nur durch entsprechendes Fachpersonal ersetzt werden.

The light source contained in this luminaire shall only be replaced by the manufacturer or his service agent.

La fuente de iluminación que tiene esta luminaria sólo puede remplazarse por el fabricante o por un instalador autorizado.

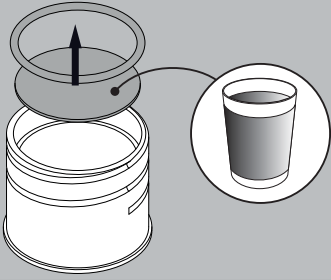
La sorgente luminosa incorporata in questo apparecchio può essere sostituita solo dal produttore, da un suo centro assistenza oppure da una persona in possesso della necessaria abilitazione.



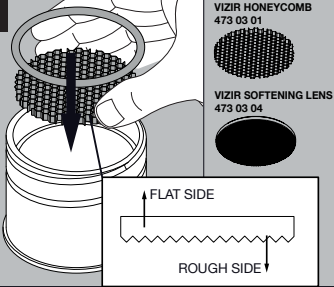
INSTALLATION LUMINAIRE

ACCESSORIES

1



2



3

