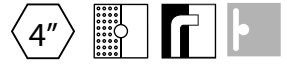


**TOPIX L X WW**

6 304 17 52 ◊

◊ = A / G

2 x POWERLED WHITE 3,5W / 3000K



**Application**

Wall surface mounted

Installation to a standard 4" octagonal junction box with optional

Mud kit installation or EMT/FMC installation

For indoor or outdoor use

**Color Finish**

A - Alu gray

G - Gray brown

**Light source**

2 x POWERLED WHITE 3,5W / 3000K

**Product description**

Powder coated corrosion protected aluminum housing

120 V / 60Hz / 350mA-DC current controlled power supply included

2x POWERLED WHITE 3,5W 3000K

Suitable for wet locations

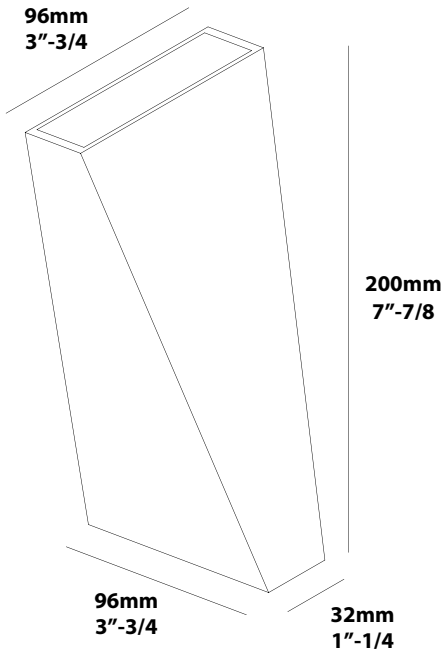
Dust tight and protected against splashing water ➔ IP65

Weight: 2,2lbs 1,0kg

**Accessories not supplied (option)**

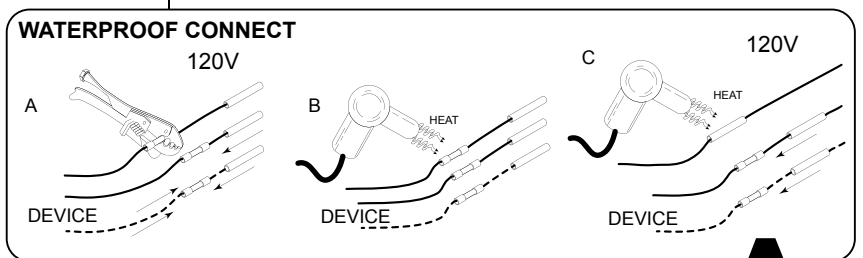
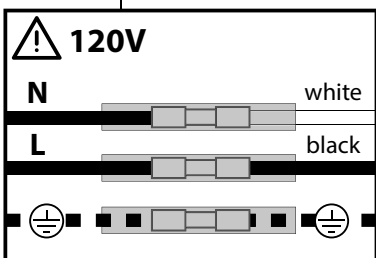
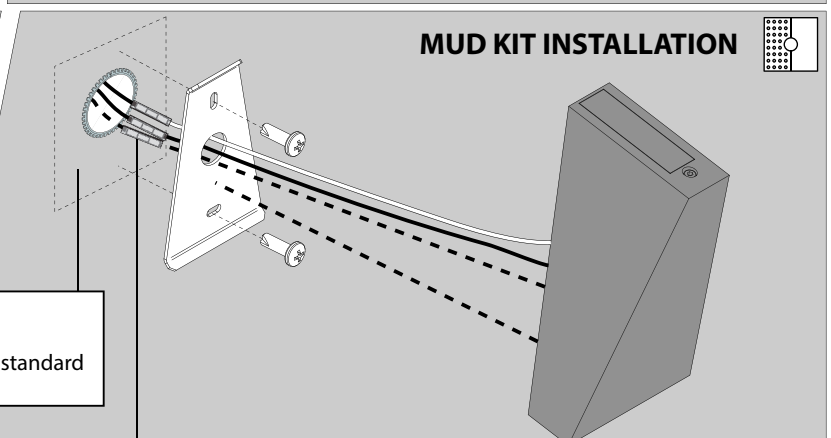
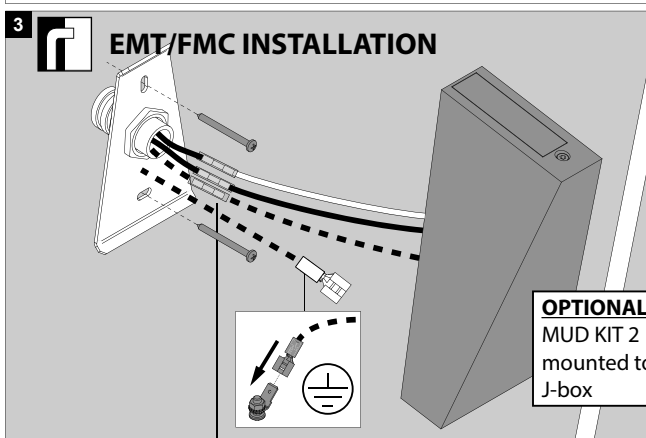
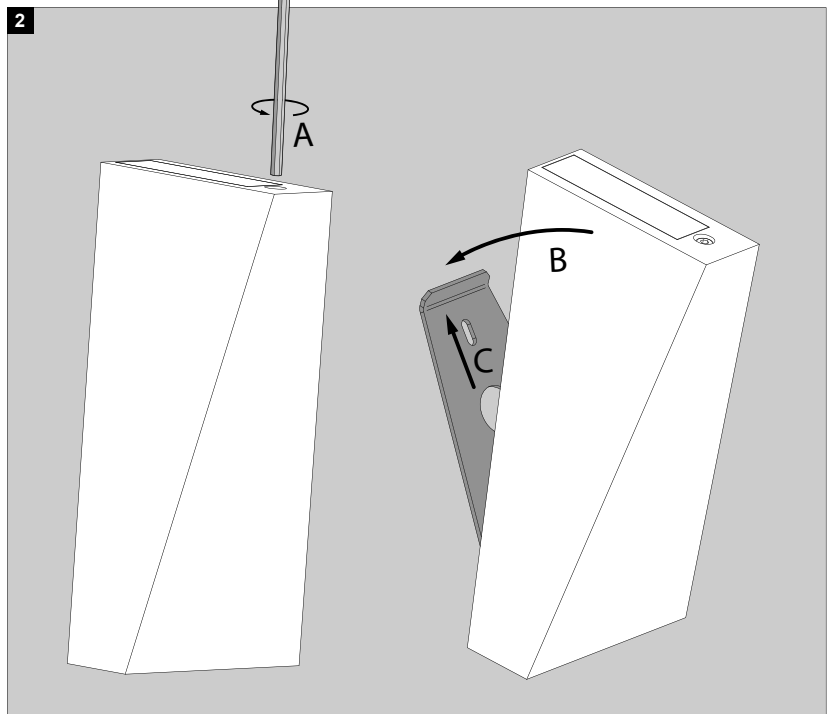
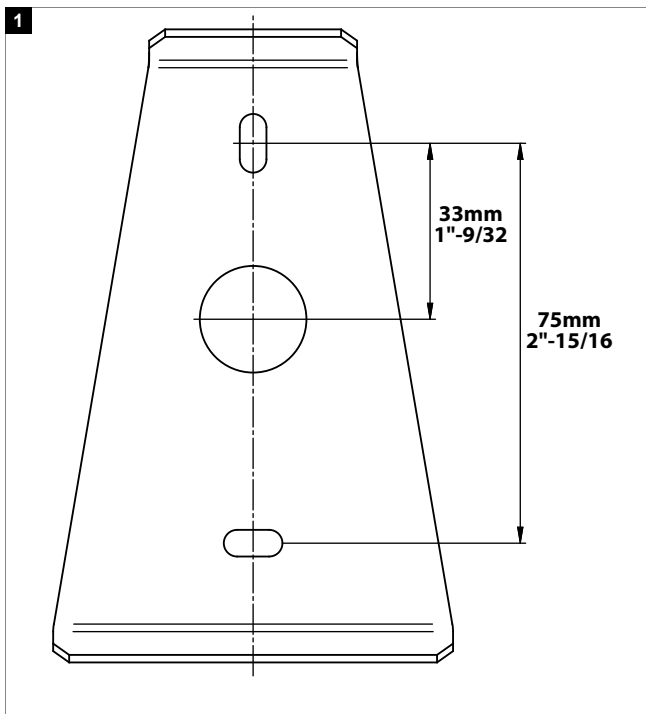
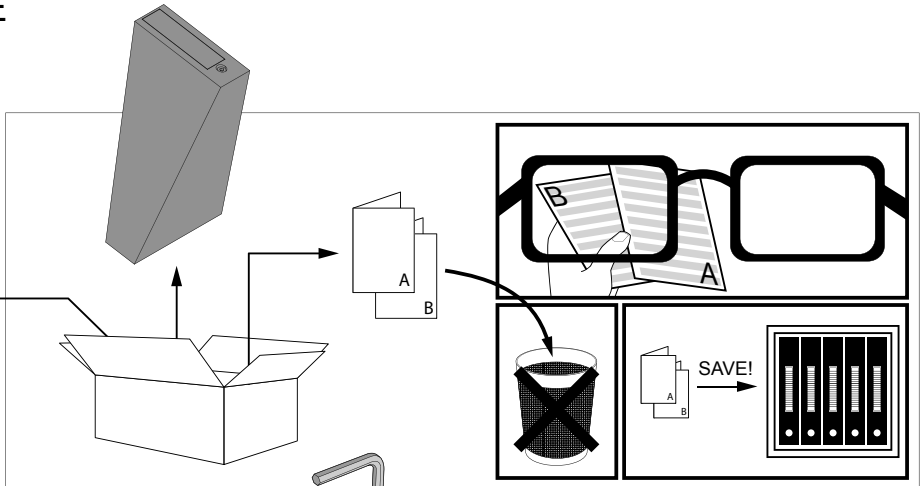
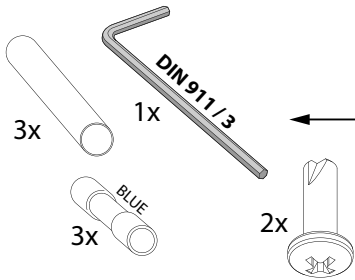
6 207 02 02

MUD KIT 2

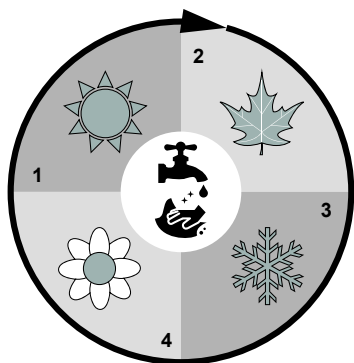
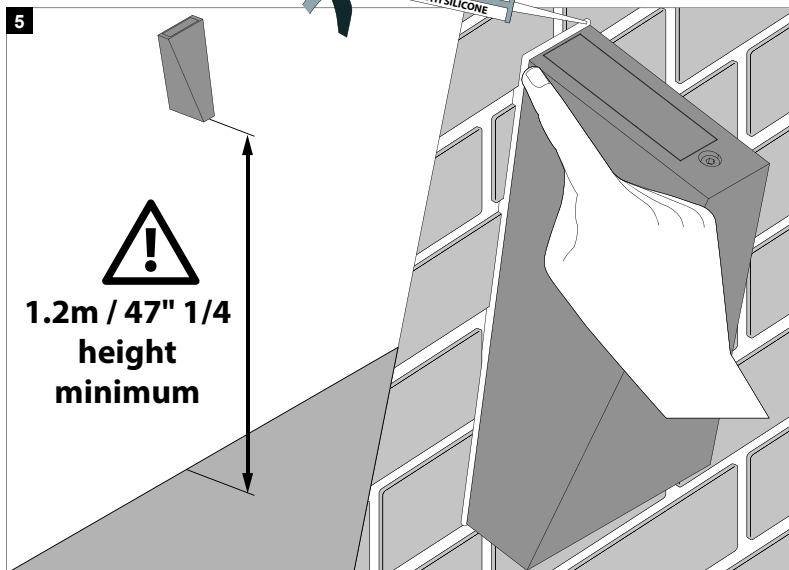
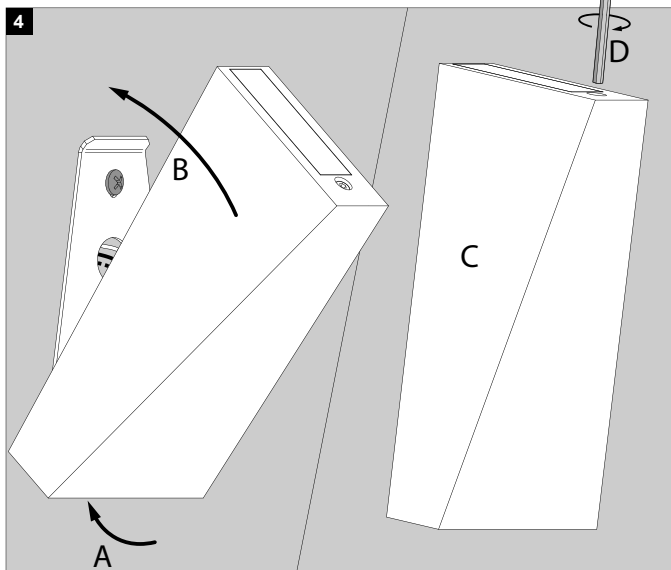


**INSTALLATION LUMINAIRE**

Accessories



 INSTALLATION LUMINAIRE



CAUTION! CLEAN AT LEAST QUARTERLY WITH WATER AND NON-ABRASIVE CLOTH

De verlichtingsbron van dit verlichtingstoestel zal enkel door de fabrikant of door de fabrikant aangestelde installateur vervangen worden.

La source lumière de cet appareil ne sera remplacée que par l'entreprise ou par un agent reconnu.

Das enthaltene Leuchtmittel sollte nur durch entsprechendes Fachpersonal ersetzt werden.

The light source contained in this luminaire shall only be replaced by the manufacturer or his service agent.

La fuente de iluminación que tiene esta luminaria sólo puede remplazarse por el fabricante o por un instalador autorizado.

La sorgente luminosa incorporata in questo apparecchio può essere sostituita solo dal produttore, da un suo centro assistenza oppure da una persona in possesso della necessaria abilitazione.