

NEEDLE 1 OK 92713 ◇

6 25011 9210 ◇

◇ = BBR / FG

NEEDLE 1 OK 92733 ◇

6 25011 9220 ◇

◇ = BBR / FG

NEEDLE 1 OK 93013 ◇

6 25011 9310 ◇

◇ = BBR / FG

NEEDLE 1 OK 93033 ◇

6 25011 9320 ◇

◇ = BBR / FG

NEEDLE 1 OK 93513 ◇

6 25011 9510 ◇

◇ = BBR / FG

NEEDLE 1 OK 93533 ◇

6 25011 9520 ◇

◇ = BBR / FG



Application

Ceiling surface suspended
Installation to a standard 4" octagonal box
For indoor use only

Color Finish

FG - Flemish Gold
BBR - Black Bronze

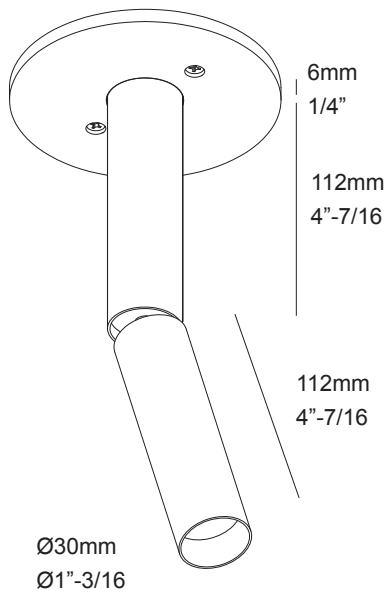
Light source

1x Powered white MAX. 6W

Product description

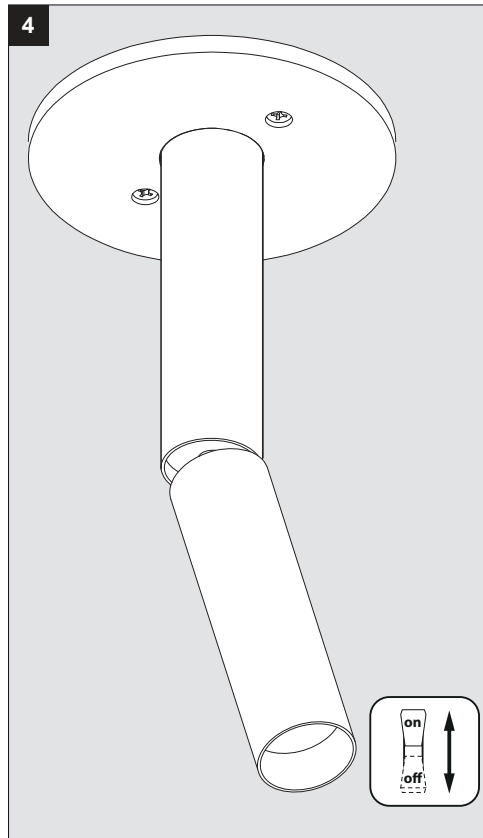
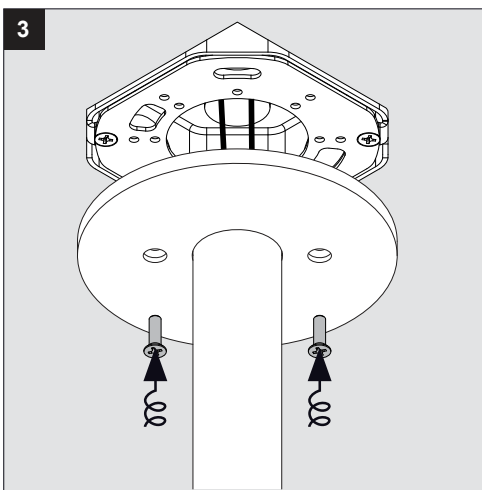
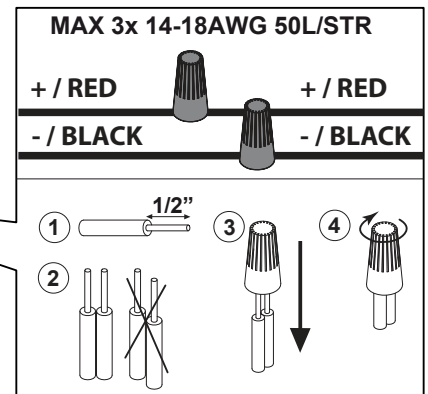
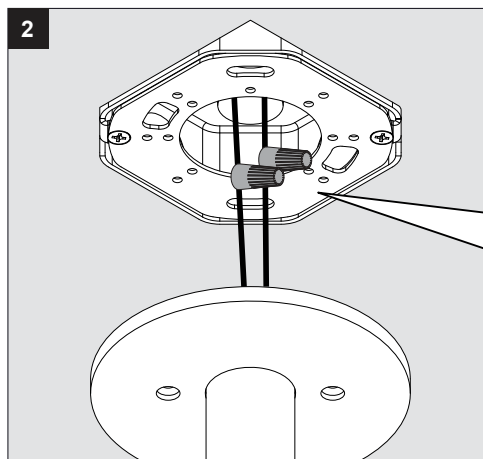
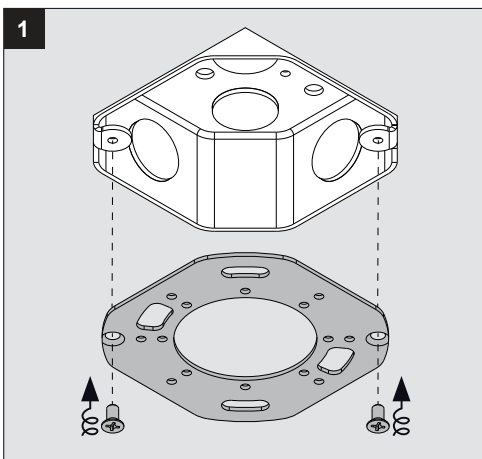
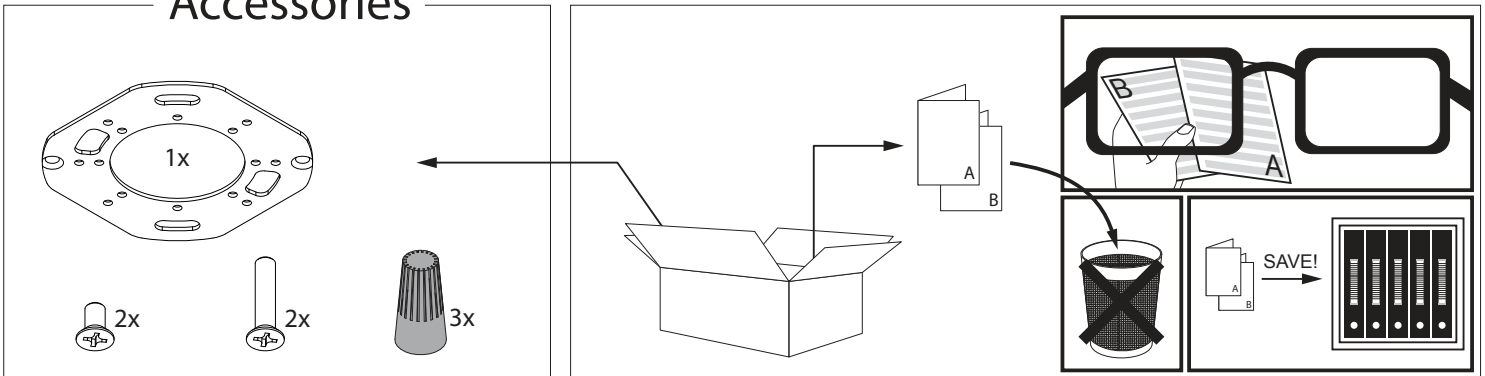
Powder coated aluminum construction
MAX. 500mA current controlled class 2 output required, remote
Suitable for dry or damp locations
Protected against solid objects greater than 12mm ➔ IP20
Weight: 0,7lbs 0,3kg

Ø108mm
Ø4"-1/4



 INSTALLATION LUMINAIRE

Accessories



De verlichtingsbron van dit verlichtingstoestel zal enkel door de fabrikant of door de fabrikant aangestelde installateur vervangen worden.

La source lumière de cet appareil ne sera remplacée que par l'entreprise ou par un agent reconnu.

Das enthaltene Leuchtmittel sollte nur durch entsprechendes Fachpersonal ersetzt werden.

The light source contained in this luminaire shall only be replaced by the manufacturer or his service agent.

La fuente de iluminación que tiene esta luminaria sólo puede remplazarse por el fabricante o por un instalador autorizado.

La sorgente luminosa incorporata in questo apparecchio può essere sostituita solo dal produttore, da un suo centro assistenza oppure da una persona in possesso della necessaria abilitazione.