

WALKER II W S 927 ◇

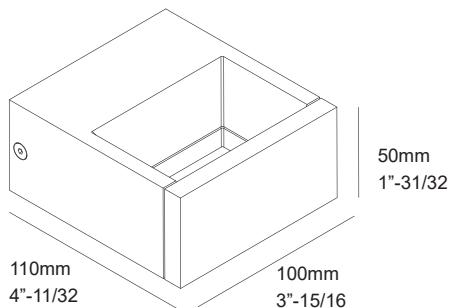
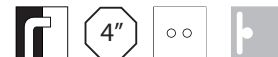
6 22614 9200 ◇

◇ = A / N / W

WALKER II W S 930 ◇

6 22614 9300 ◇

◇ = A / N / W



Application

Wall surface mounted
 Installation to an EMT or optional coverplate.
 For indoor and outdoor use, dry, damp and wet location.

Color Finish

A - ALU GREY
 N - DARK GREY
 W - WHITE

Light source

1x LED CLUSTER 5,2W

Product description

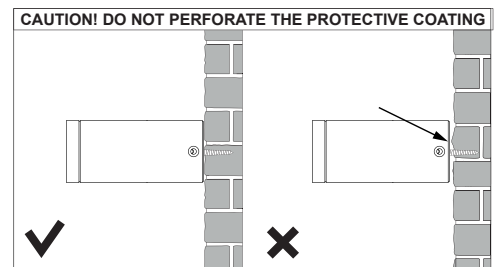
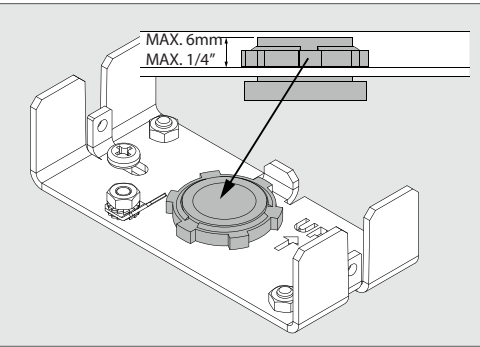
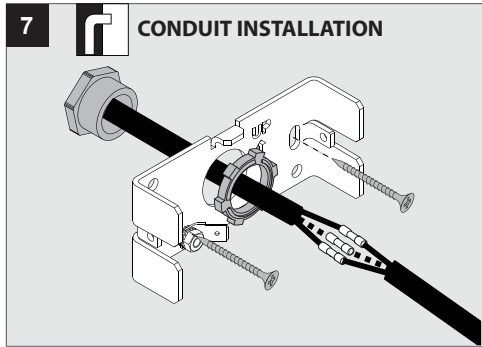
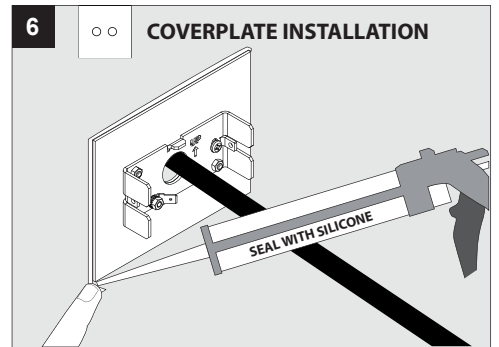
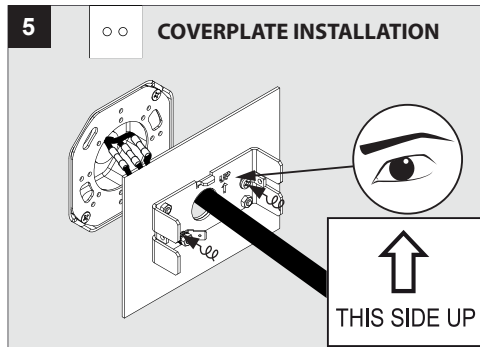
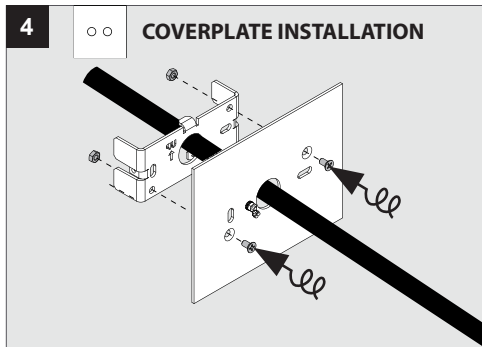
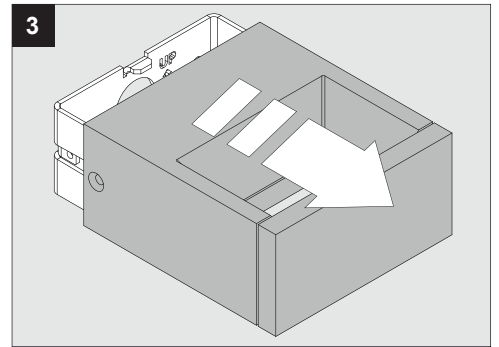
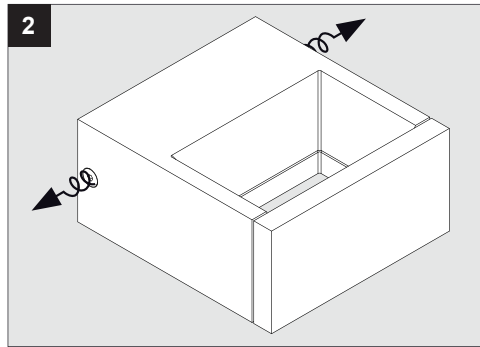
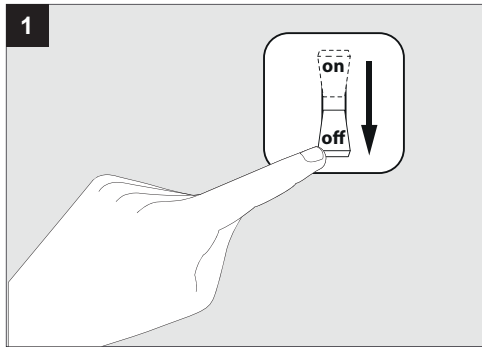
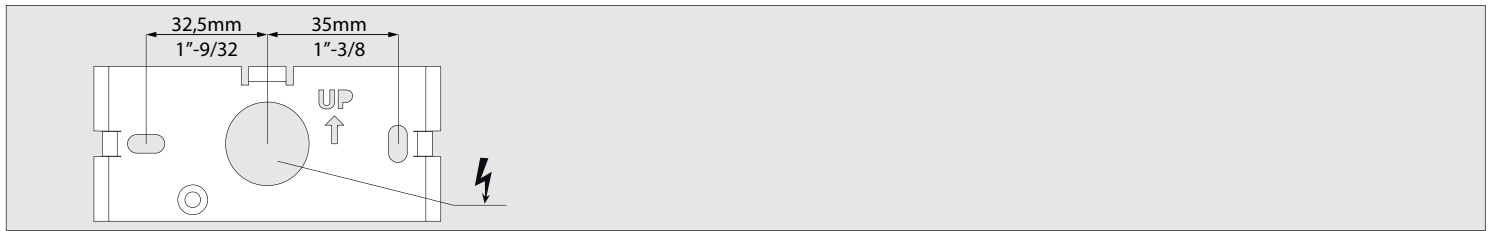
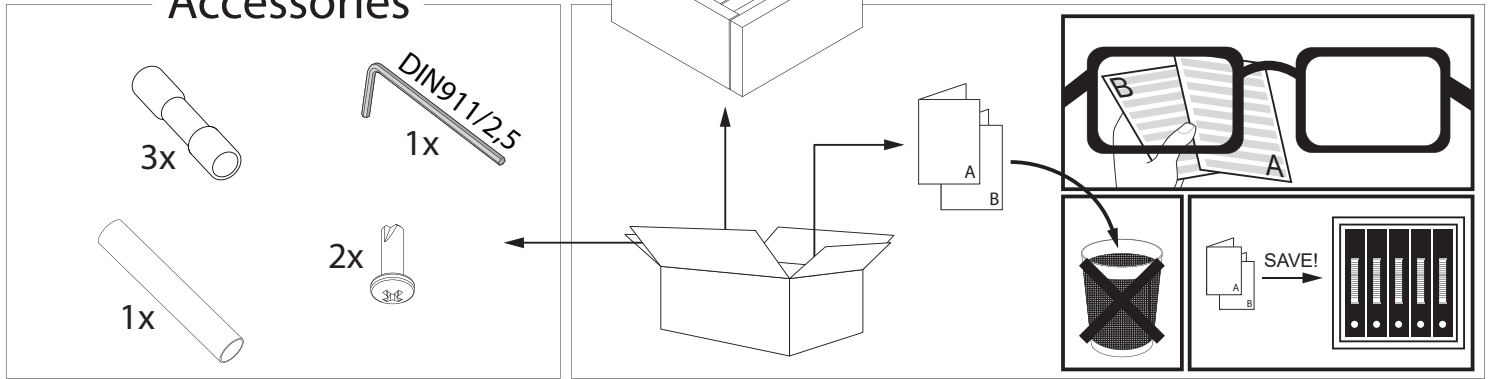
Surface treated aluminum construction
 Input voltage: 120V / 60Hz
 Electronic power supply included
 350mA current controlled class 2 output
 Suitable for dry ,damp and wet locations
 Dust-protected - Protected against splashing water ➔ IP54
 Weight: 1,1lbs 0,5 kg

Optional accessories

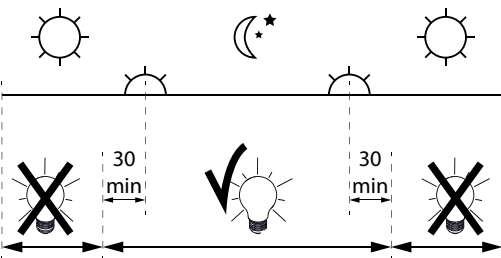
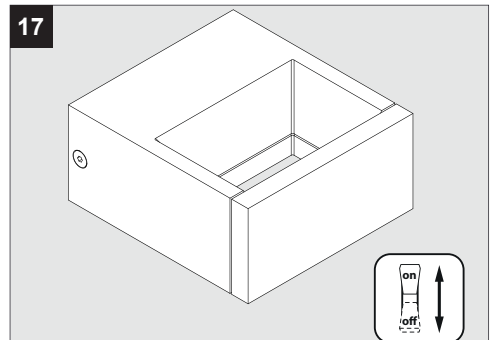
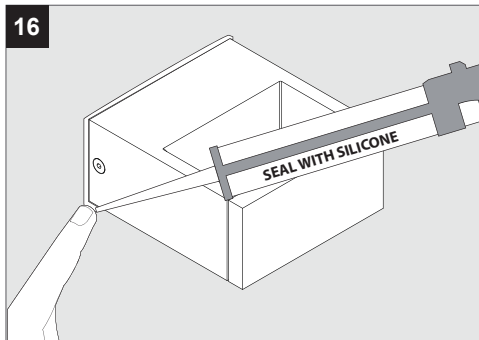
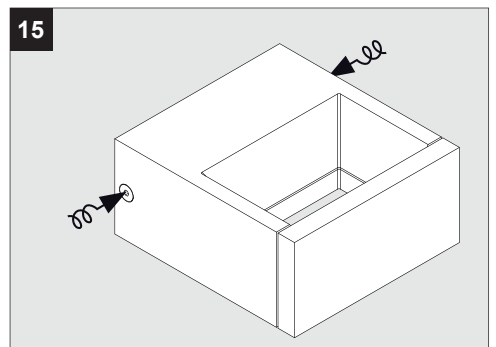
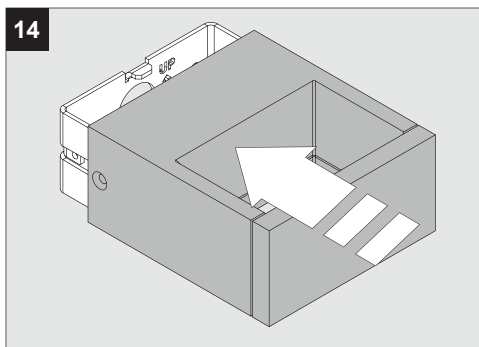
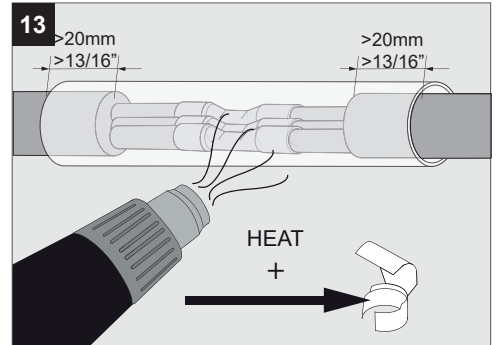
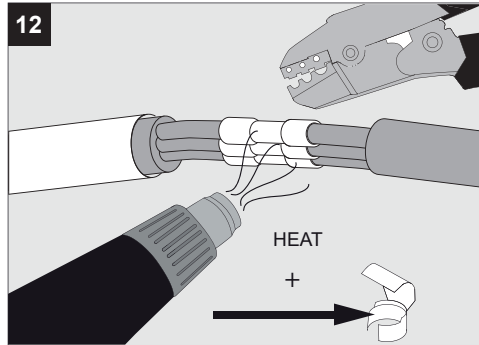
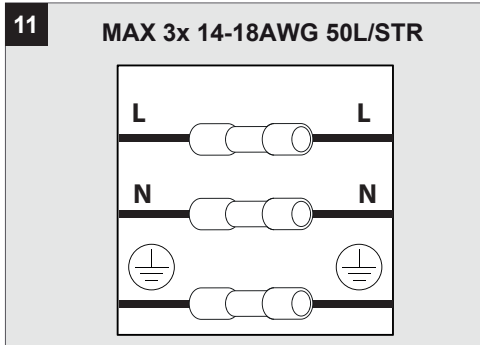
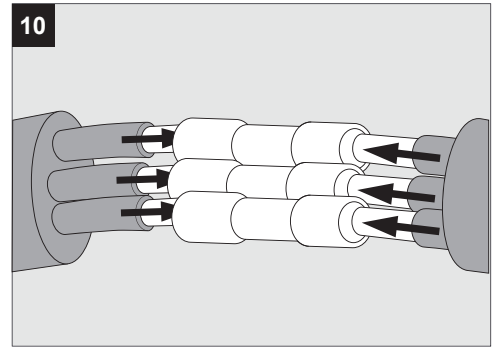
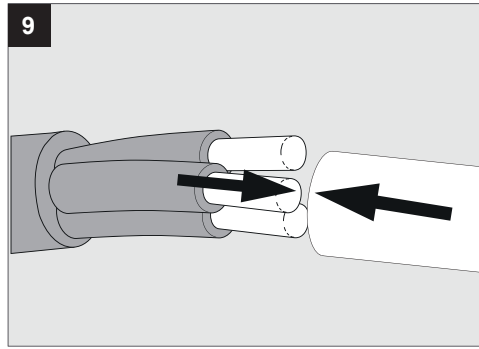
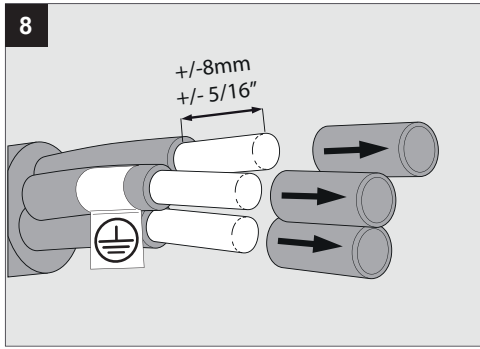
6 204 99 124 Coverplate S 124

INSTALLATION LUMINAIRE

Accessories



INSTALLATION LUMINAIRE



Dagelijkse ontstekingsperiode toegestaan
 Durée quotidienne d'allumage admissible
 Erlaubte tägliche einschaltdauer
 Allowed daily operation period
 Periodo giornaliero di accensione ammesso
 Periodo diario de encendido permitido

CAUTION! CLEAN AT LEAST QUARTERLY WITH WATER AND NON-ABRASIVE CLOTH

De verlichtingsbron van dit verlichtingstoestel zal enkel door de fabrikant of door de fabrikant aangestelde installateur vervangen worden.

La source lumière de cet appareil ne sera remplacée que par l'entreprise ou par un agent reconnu.

Das enthaltene Leuchtmittel sollte nur durch entsprechendes Fachpersonal ersetzt werden.

The light source contained in this luminaire shall only be replaced by the manufacturer or his service agent.

La fuente de iluminación que tiene esta luminaria sólo puede remplazarse por el fabricante o por un instalador autorizado.

La sorgente luminosa incorporata in questo apparecchio può essere sostituita solo dal produt tore, da un suo centro assistenza oppure da una persona in possesso della necessaria abilitazione.