

TWEETER ON 1 92733 DIM1 ◇

6 206 31 811 922 ED1◇

◇= W

TWEETER ON 1 92750 DIM1 ◇

6 206 31 811 923 ED1◇

◇= W

TWEETER ON 1 93033 DIM1 ◇

6 206 31 811 932 ED1◇

◇= W

TWEETER ON 1 93050 DIM1 ◇

6 206 31 811 933 ED1◇

◇= W

TWEETER ON 1 93533 DIM1 ◇

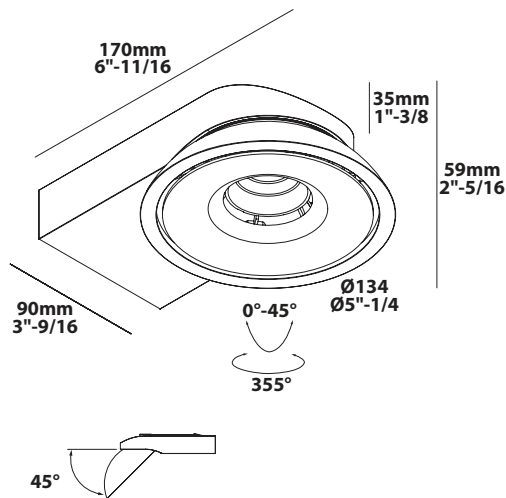
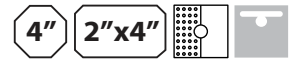
6 206 31 811 952 ED1◇

◇= W

TWEETER ON 1 93550 DIM1 ◇

6 206 31 811 953 ED1◇

◇= W



Application

Ceiling surface mounted

Installation to a Handy box 2"x 4" or to a standard 4" J-box with optional Mud kit installation

For indoor use only

Color Finish

W - White

Light source

1x Poweredled White 10,4W

Product description

Surface treated aluminum construction

Input voltage: 120-277V AC / 60Hz

Electronic 1-10V dimmable power supply (100% to 10% dimmable) included,

500mA current controlled

Suitable for dry or damp locations

Protected against solid objects greater than 12mm ➔ IP20

Orientable lamp holder 355° / 0°-45°

Weight: 1,5lbs 0,7kg

Accessories not supplied (option)

6 207 02 02 MUD KIT 2

TWEETER CLIP + HONEYCOMB 40

TWEETER CLIP + LINEAR SPREAD LENS 40

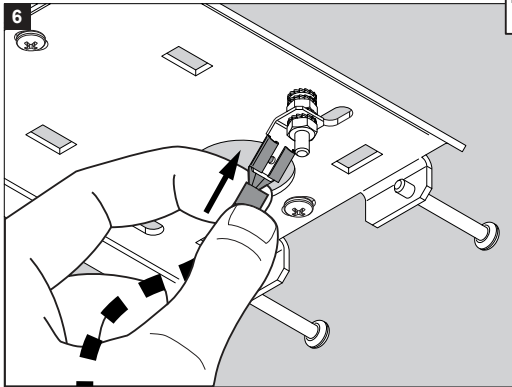
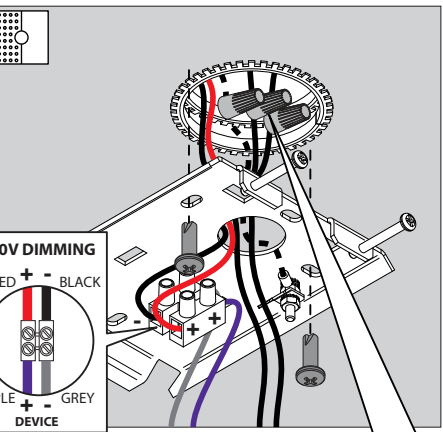
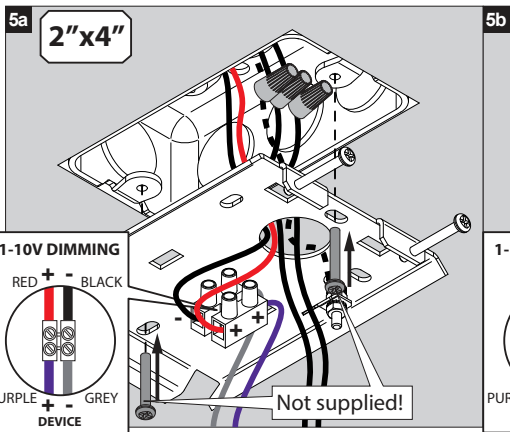
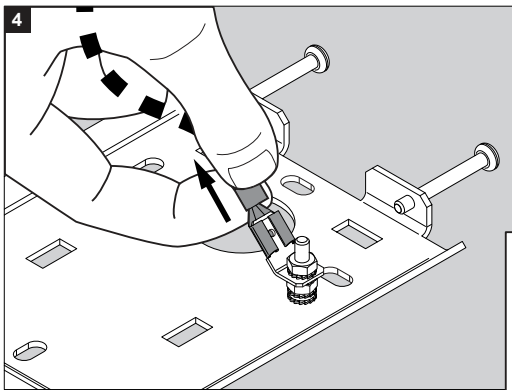
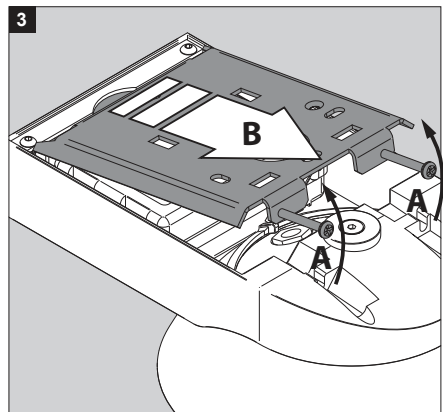
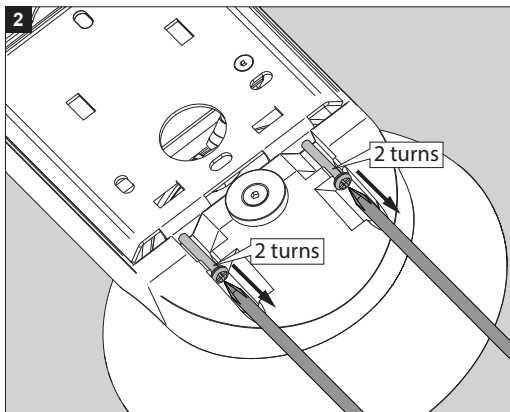
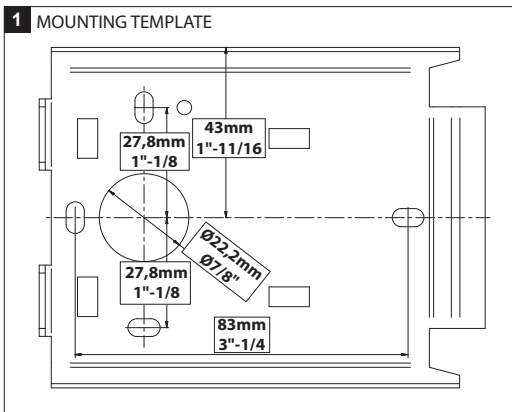
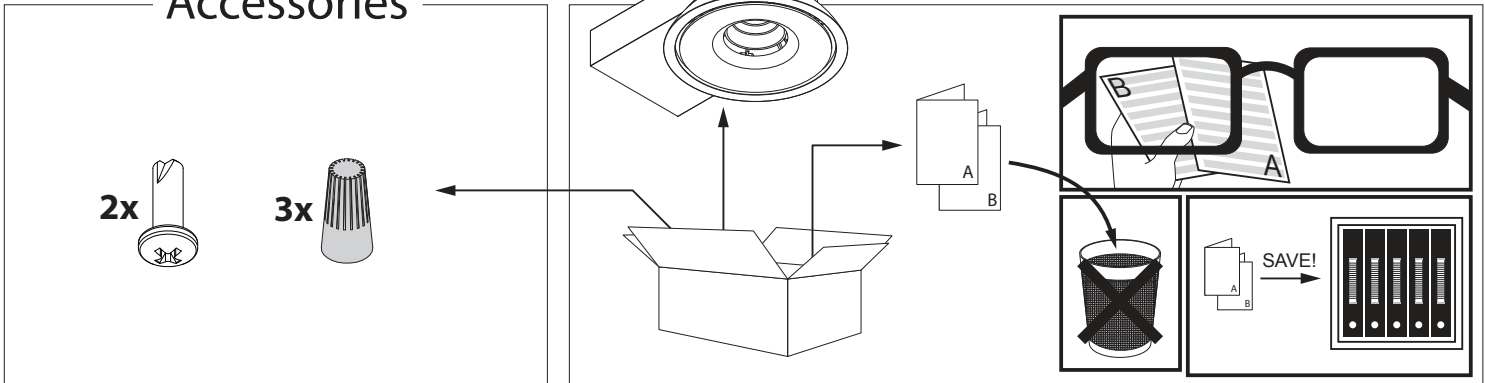
TWEETER CLIP + SPREAD LENS 40

TWEETER CLIP + SOFTENING LENS 40

TWEETER CLIP + GLASS SBL 40

INSTALLATION LUMINAIRE

Accessories



CAUTION

All field installed insulated wires
MUST BE 300V min.

