

ØKIT x 4"

CRI > 90

TWEETER TRIMLESS

3500 K	LED [H] 10.4W / 1109lm / 500mA LED [H] 15W / 1492lm / 700mA
REFL FL 33°	6 206 21 811 952 ◇ ◇ = B-W / W-W
REFL WFL 50°	6 206 21 811 953 ◇ ◇ = B-W / W-W
3000 K	LED [H] 10.4W / 1075lm / 500mA LED [H] 15W / 1446lm / 700mA
REFL FL 33°	6 206 21 811 932 ◇ ◇ = B-W / W-W
REFL WFL 50°	6 206 21 811 933 ◇ ◇ = B-W / W-W
2700 K	LED [H] 10.4W / 1032lm / 500mA LED [H] 15W / 1388lm / 700mA
REFL FL 33°	6 206 21 811 922 ◇ ◇ = B-W / W-W
REFL WFL 50°	6 206 21 811 923 ◇ ◇ = B-W / W-W

ADJUSTABLE 0-45° / 355°

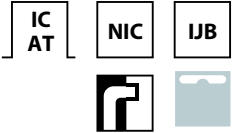
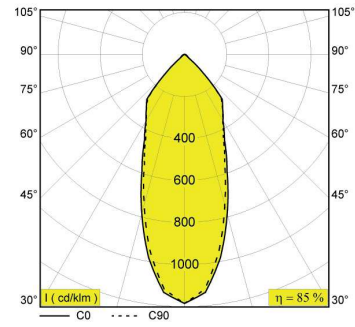
1.5 IP20 DAMP

REQUIREMENTS
ROUGH-IN

ACCESSORIES
TWEETER CLIP +
HONEYCOMB / LENS / GLASS

play.deltalight.com/tweeter
play.deltalight.com/ers

PATENTED EX-CENTRIC ROTATION SYSTEM®



⁽¹⁾Values based on 3000K 33° White finish

Application

Finishing section to be used with DELTA LIGHT® rough-in requirements

Ceiling Thickness

For 5/8" ceiling standard up to 7/8"

Color Finish

B - Black
W - White

Light Source

One 10.4 - 15W LED module included

Delivered Lumens

1109lm at 3500K⁽¹⁾
1075lm at 3000K⁽¹⁾
1032lm at 2700K⁽¹⁾

Power Supply

Included in rough-in requirements.

Connector

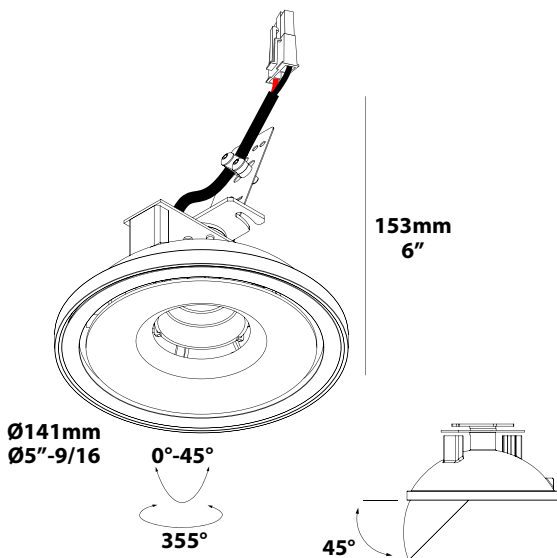
Rough-in and trim connection through pre-installed snap-in connector

Specification features

Body fabricated of surface treated aluminum
Pre-installed springs for easy installation
Suitable for dry and damp locations

Dimensions

Height: 153 mm = 6"
Diameter: Ø141 mm = 5"- 9/16
Ceiling Cut out: Ø 153 mm = 6" (KIT)



PROJECT INFO

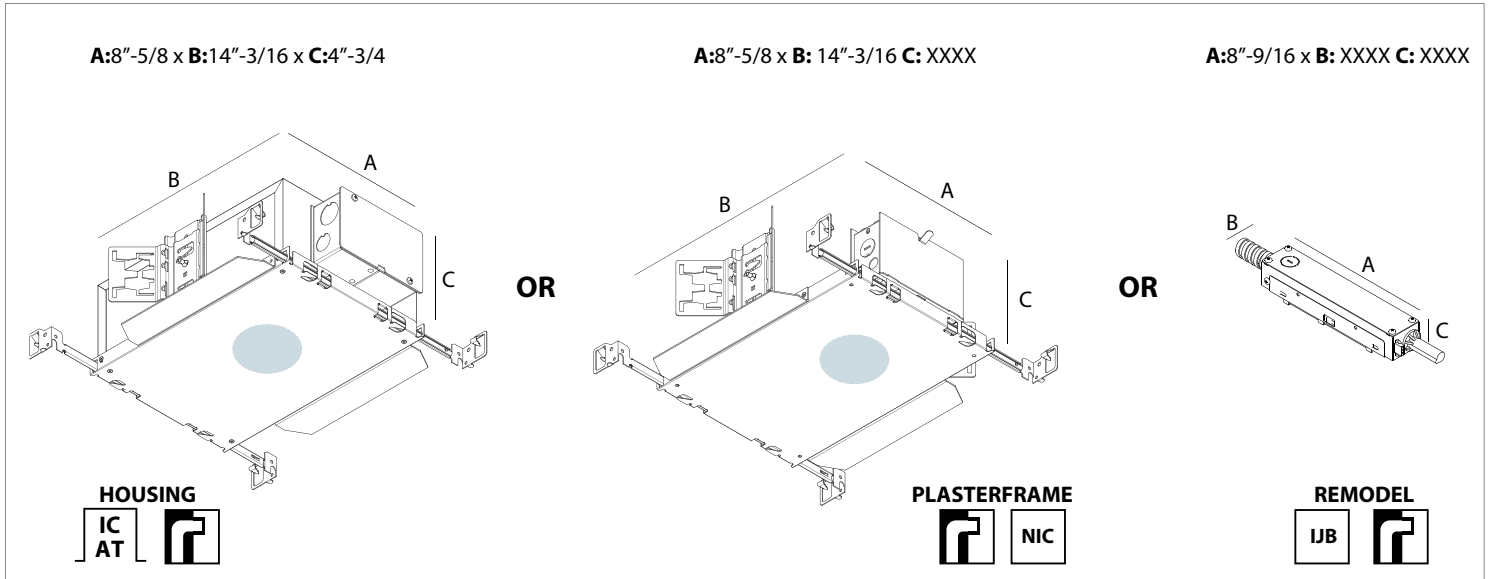
Date

Client

Project Name

Type/Quantity

ROUGH-IN REQUIREMENTS



Required options

New construction

Housing for IC and/or airtight applications

Range	Installation type	Power/Dimming		Voltage 1 - 120V 2 - 277V 3 - 120-277V	Mounting Option 0 - No bar hangers 1 - Bar hangers standard
6	202	7 - IC AT Housing S	43 - 10,4W 1-10V DIM	65	3 - 120-277V
6	202	7 - IC AT Housing S	62 - 10,4W mains dimmable (FE)	65	1 - 120V
6	202	7 - IC AT Housing S	72 - 10,4W LUTRON dimming	65	1 - 120V

New construction

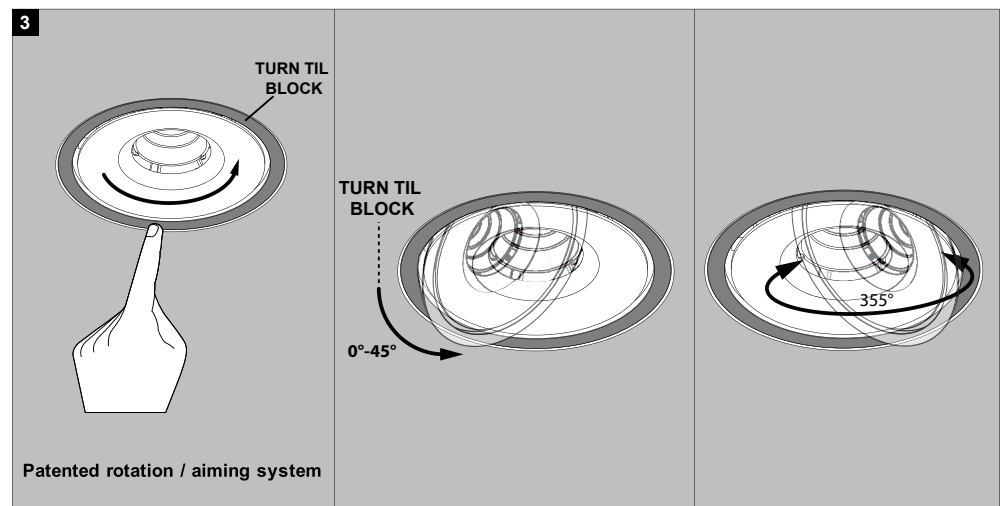
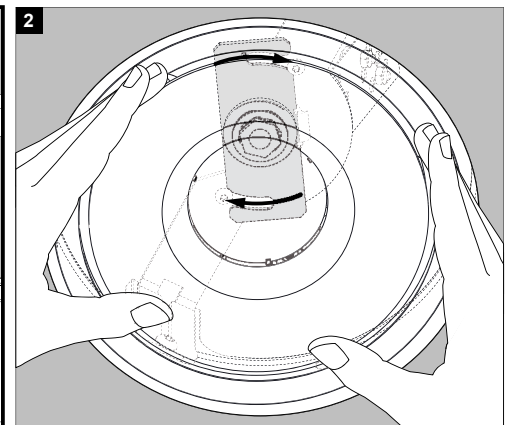
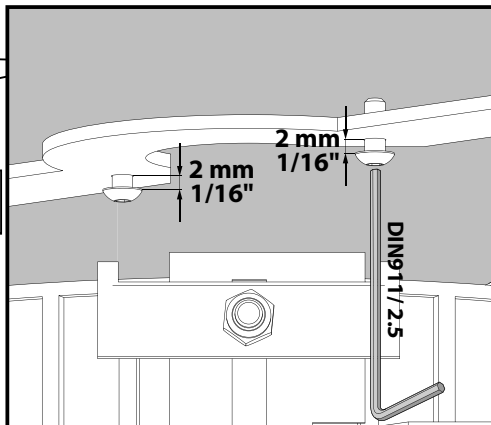
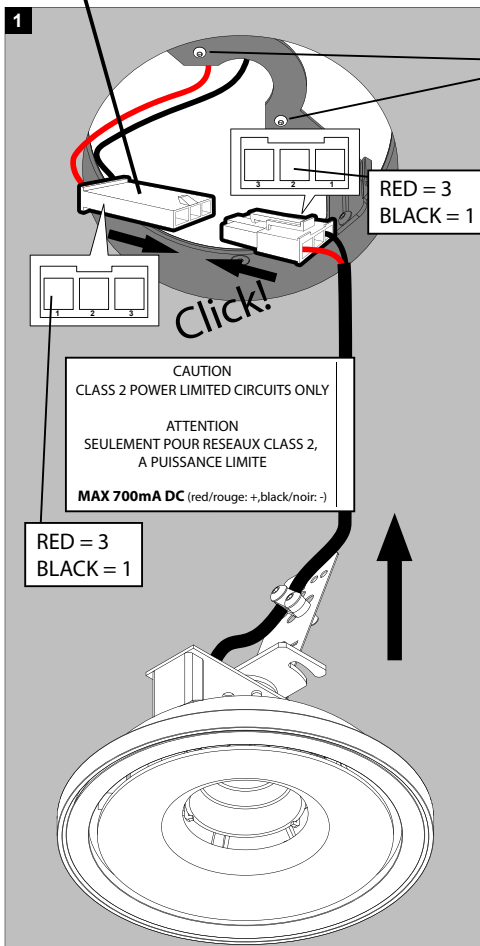
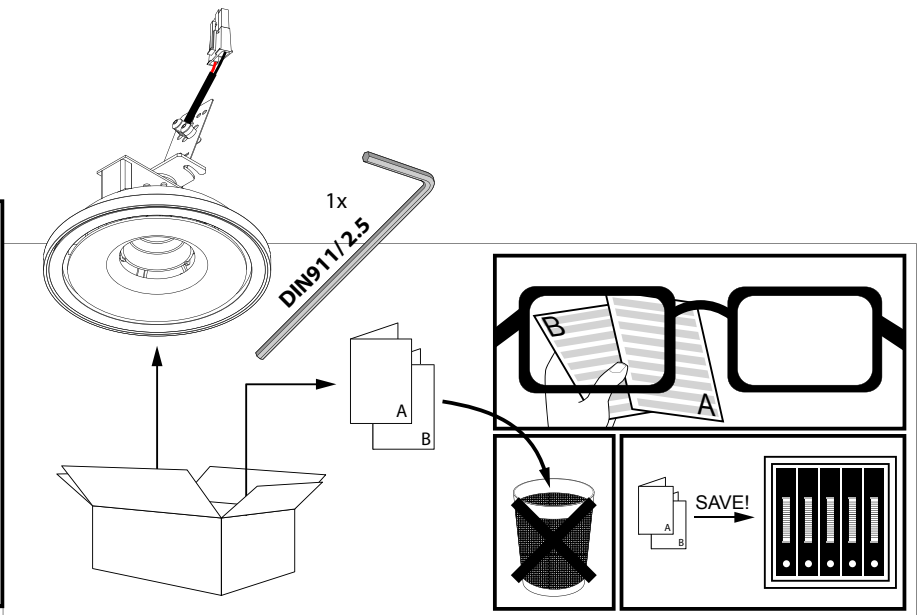
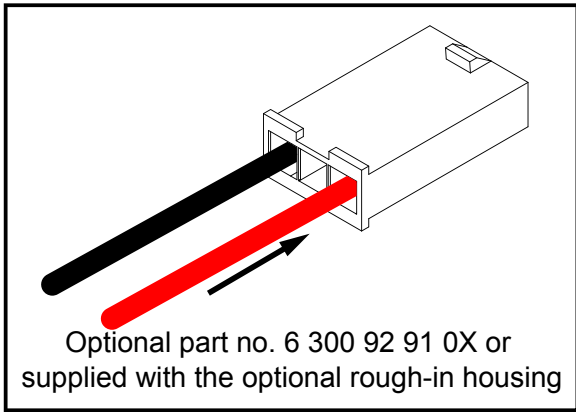
Plasterframe for NON-IC applications

Range	Installation type	Power/Dimming		Voltage 1 - 120V 2 - 277V 3 - 120-277V	Mounting Option 0 - No bar hangers 1 - Bar hangers standard
6	202	01 - NIC Plasterframe S	43 - 10,4W 1-10V DIM	65	1 - 120V
6	202	01 - NIC Plasterframe S	43 - 10,4W 1-10V DIM	65	2 - 277V
6	202	01 - NIC Plasterframe S	62 - 10,4W mains dimmable (FE)	65	1 - 120V
6	202	01 - NIC Plasterframe S	72 - 10,4W LUTRON dimming	65	1 - 120V
6	202	01 - NIC Plasterframe S	72 - 10,4W LUTRON dimming	65	2 - 277V

Remodel IJB

Range	Installation type	Power/Dimming		Voltage 1 - 120V 2 - 277V 3 - 120-277V	Spacings 1 - Standard spacings 1 - Marked spacings
6	202	9 - NIC-IC IJB	19 - 10,4W mains dimmable (FE)	1 - 120V	1 - Standard spacings
6	202	9 - NIC-IC IJB	20 - 10,4W 1-10V DIM	1 - 120V	1 - Standard spacings
6	202	9 - NIC-IC IJB	20 - 10,4W 1-10V DIM	2 - 277V	1 - Standard spacings
6	202	9 - NIC-IC IJB	21 - 15W mains dimmable (FE)	1 - 120V	1 - Marked spacings
6	202	9 - NIC-IC IJB	69 - 15W 1-10V DIM	1 - 120V	1 - Marked spacings
6	202	9 - NIC-IC IJB	69 - 15W 1-10V DIM	2 - 277V	1 - Marked spacings

 INSTALLATION LUMINAIRE





INSTALLATION IJB

