

INSTALLATION INSTRUCTIONS

PARALLAX - LED Pendant

PD-73128

dweLED

CAUTION: To prevent electrical shock, ensure electricity has been turned off at the circuit breaker before beginning.

- Read all instructions before installing.
- System is intended for installation by a licensed electrician in accordance with the National Electrical Code (NEC) and local regulations.
- When handling the fixture, do not apply pressure to the LEDs. Hold the fixture by the base only.
- Retain installation instructions for future maintenance reference.

WARNING: All parts must be used as indicated in these instructions. This product is designed for use only with the supplied parts and/or accessories designated for use by dweLED. Substitution of parts or accessories not designated for use with this product by dweLED could result in personal injury or property damage, and will void the warranty. Contact an authorized dealer or the manufacturer if any parts are damaged or missing.

MAINTENANCE NOTE: Coastal conditions may cause mineral and residue build-up on the fixture. We recommend that customers in coastal areas clean all external surfaces of the fixture once every two weeks with a wet cloth.

MISE EN GARDE: Pour éviter tout choc électrique, assurez-vous que le disjoncteur soit mis hors tension avant de commencer.

- Lisez toutes les instructions avant l'installation.
- Le système doit être installé par un électricien licencié conformément au code national de l'électricité (NEC), et également aux règlements locaux.
- Lors de la manipulation du luminaire, n'appuyez pas sur les LED. Tenez-le uniquement par la base.

ATTENTION: Toutes les pièces doivent être utilisées comme indiqué dans ces instructions. Ce produit est conçu pour être utilisé seulement avec les pièces et/ou accessoires fournis pour être utilisés avec les produits dweLED. Remplacer des pièces ou accessoires non conçus pour ce produit dweLED pourrait causer des dommages corporels ou matériels et pourrait également causer l'annulation de la garantie. Veuillez contacter un revendeur autorisé ou le fabricant si des pièces manquent ou sont endommagées.

NOTE D'ENTRETIEN: Les conditions côtières peut causer une accumulation de minéraux et de résidus sur le luminaire. Nous recommandons aux clients qui résident dans les zones côtières de nettoyer toutes les surfaces externes du luminaire une fois toutes les deux semaines avec un chiffon humide.

Hardware

A



Wire Connector
Qty: 5PCS+1 Extra

B



Canopy screw
Qty: 1 Extra

dweLED.com
Phone (800) 526.2588
Fax (800) 526.2585

Headquarters/Eastern Distribution Center
44 Harbor Park Drive
Port Washington, NY 11050

Central Distribution Center
1600 Distribution Ct
Lithia Springs, GA 30122

Western Distribution Center
1750 Archibald Avenue
Ontario, CA 91760



INSTALLATION INSTRUCTIONS

PARALLAX - LED Pendant

PD-73128

dweLED

PREPARATION

1. Shut off the power at the circuit breaker and remove existing fixture, including the crossbar.
2. Carefully unpack your new fixture and lay out all the parts on a clear area. Be careful not to lose any small parts necessary for installation.

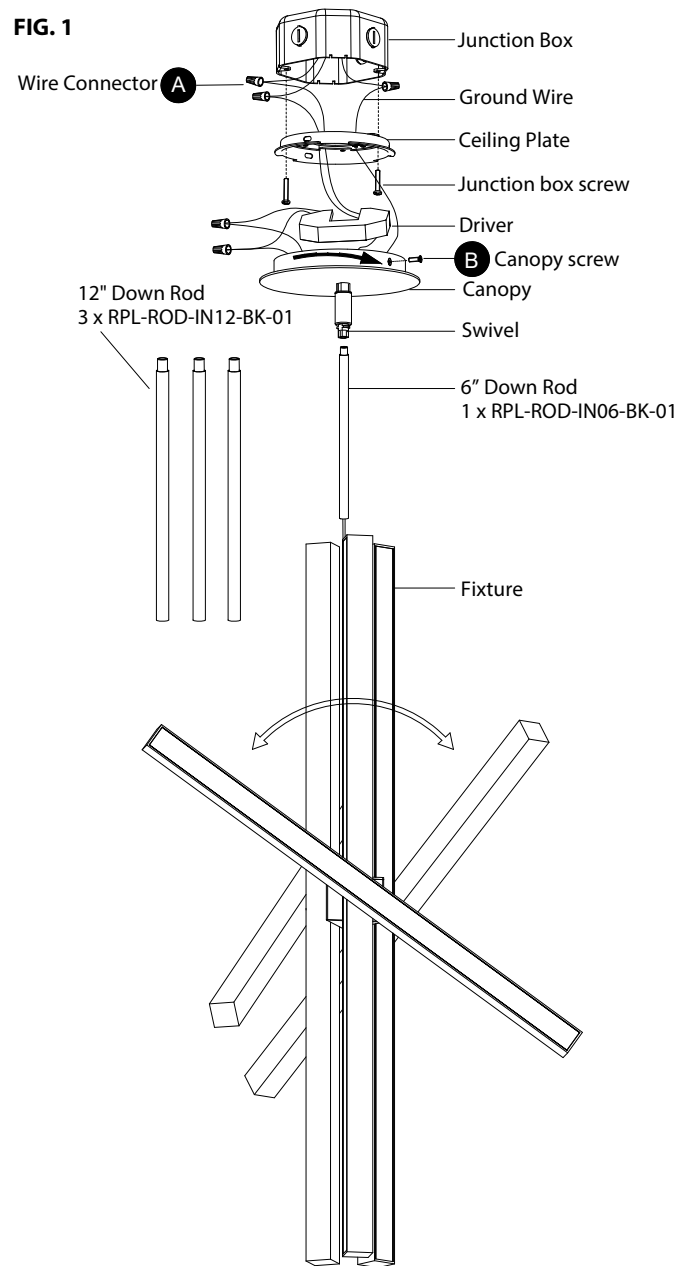
MOUNTING THE FIXTURE (Fig. 1, Fig. 3)

3. Remove the canopy screw (B) from the ceiling plate.
4. Secure the ceiling plate to the junction box using the screws provided with the junction box.
 - Note:** (i) using any other non-original-manufacturer provided junction box screw may result in safety issue;
 - (ii) The side of the mounting plate marked "GND" must face out.
5. Choose number of rods suitable for your hanging height. Connect the canopy, rod(s), swivel, and fixture body. Make sure all connections are tightened. Run all wires through rod(s), swivel, and canopy.
6. Due to limited space within the canopy, shorten the wires as necessary to make the installation easier. Make sure to identify and label all the wiring properly before any trimming/shortening. (Fig. 3)

WIRING AND HANGING FIXTURE(Fig. 1, Fig. 2, Fig. 3)

7. Connect the driver's input/output wires to junction box wires and fixture wires as shown in Fig. 2/Fig. 3 using wire connectors (A) provided. Ensure all wire connectors are secure. Connect the fixture's ground wire to the ground in the junction box; this will be either a green wire or a bare copper wire. After wires are connected, tuck them carefully inside the junction box.
8. Secure the fixture by mounting the canopy to the ceiling plate. Slide the canopy in the direction of the notch until it latches in place. Fasten the canopy to the ceiling plate using the canopy screw (B).
9. For slope ceiling application, rotate swivel at the top of the stem to ensure luminarie is aiming down (Fig.4).
10. Rotate the lamp arms lightly to desire position(Fig.1).

FIG. 1



Ceiling Plate Dimensions

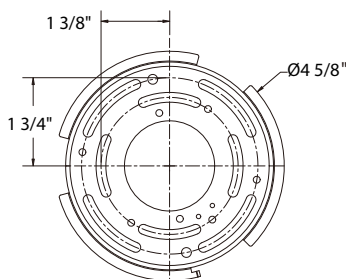


FIG. 2 Wiring

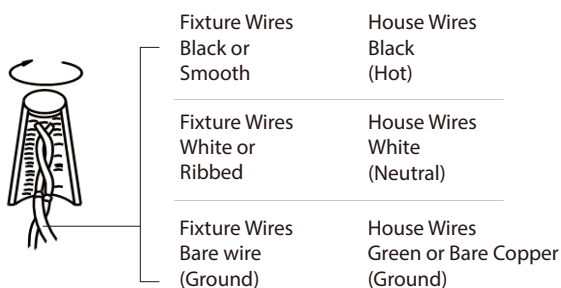


Fig.3 Driver Wires

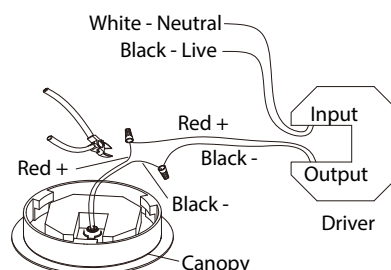
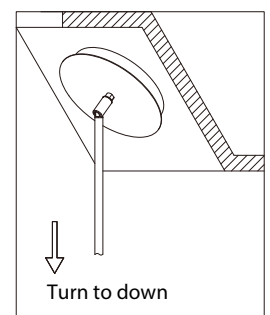


Fig.4



dweLED.com
 Phone (800) 526.2588
 Fax (800) 526.2585

Headquarters/Eastern Distribution Center
 44 Harbor Park Drive
 Port Washington, NY 11050

Central Distribution Center
 1600 Distribution Ct
 Lithia Springs, GA 30122

Western Distribution Center
 1750 Archibald Avenue
 Ontario, CA 91760

