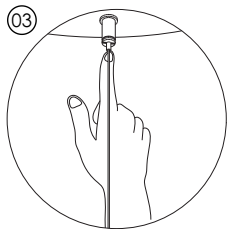
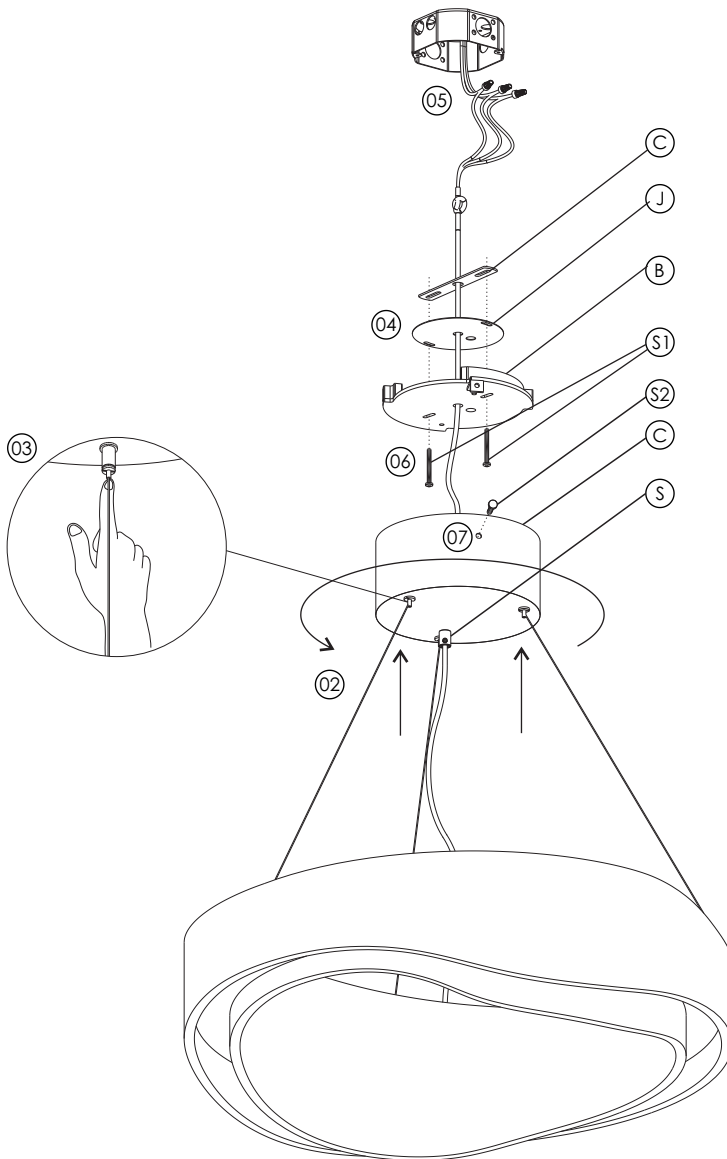


**WARNING!**



Be sure electrical power is OFF before and during installation or maintenance. The luminaire must be installed by a qualified electrician, in accordance with all applicable local codes.

Ensure that the rated luminaire voltage requirements are compatible with the available mains supply in which it will be installed. All LEDs are included in your lamp. Never touch the LED surface with your bare hands as this may reduce the life of your LED. Do not alter, relocate or remove any electrical component.



Line: Horizon  
Family: Pendant  
Description: Horizon Accord Pendant 1467/1468/1469

Material: Natural Wood Veneer, MDF, milky acrylic.  
Weight:

Read carefully all the assembling instructions below and turn OFF energy power before starting the installation.

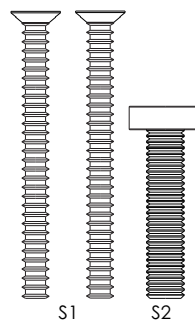
- 01 Remove the protecting package from the pieces taking care to not harm any parts with cutting surfaces or objects. Lay the parts of the fixture on some horizontal surface in order to connect them, if needed use the protecting package to soften the surface and protect the parts from getting scratched or harmed.
- 02 Next, pass the steel cables through the cable anchors fixed on the canopy (C). The support cable excess must go inside the canopy.
- 03 Adjust the height and the level of the pendant by pressing the lower tip of the cable anchors, next, roll or cut the steel cable excess. If the steel cables are cut, notice that the height adjustment will be limited.

**MAKING ELECTRICAL CONNECTIONS**

- 04 With the height of the pendant adjusted, pass the energy cable through the strain relief (S) fixed in the canopy, through the center hole of the structural base (B), junction box cover (J) and crossbar (C).
- 05 Make the electrical connections according to all applicable local codes.
- 06 Screw the crossbar (C), junction box cover (J) and structural base (B) in the junction box using the provided screws (S1).
- 07 Once the structural base (B) is fixed in the ceiling, insert the excess energy cable in the junction box and fit the canopy (C) in the structural base, pushing it against the ceiling and rotating it until it locks. Fasten the provided screw (S2) to secure it.

Turn on the energy power, your luminaire is ready for use.

**PROVIDED SCREWS**



**ATTENTION!**



FAILURE TO COMPLY WITH THESE INSTRUCTIONS MAY CAUSE ACCIDENTS AND LOSS OF PRODUCT WARRANTY. Its recommended to read these instructions completely and carefully before proceeding.

**SAVE THESE INSTRUCTIONS FOR FUTURE REFERENCE.**

ACCORD Lighting guarantees coverage against manufacturing defects including electrical components and finishes, for a period of three years, under normal use, from the date of purchase. For warranty service, please contact your local dealer for further instructions. Proof of date of purchase will be required for validation of warranty service.

The responsibility of the manufacturer regarding the product warranty is related to the correct observation of the instructions contained in this manual. The manufacturer is not responsible for any damage to the product caused by accidents, alterations of any kind, improper usage or improper installation. See the website for additional warranty details.

ACCORD Lighting reserves the right to change the dimensions and specifications contained in this manual without prior notice, in accordance with its policy of continuous product improvement. Please, contact the manufacturer if additional information is necessary. The illustrations in this manual are for guidance only and may vary in scale, dimensions and model details.