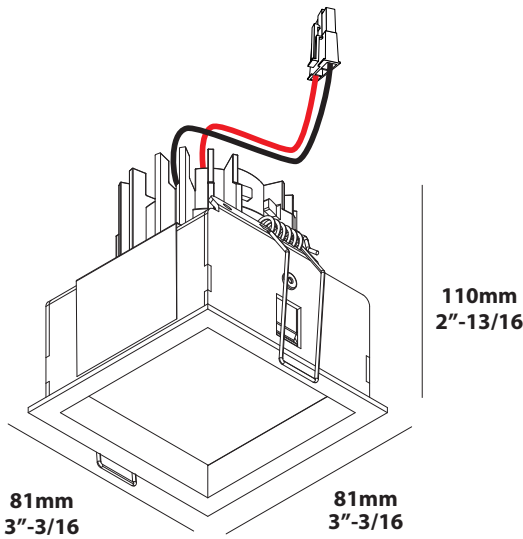
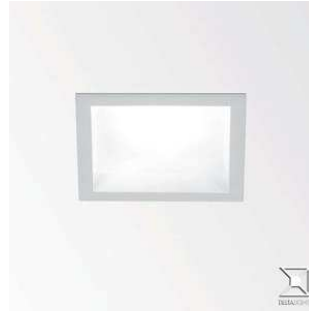


CARREE GT LED 9XXXX S1

6 202 49 811 9XX◇

◇ = A / W



Application

Finishing section to be used with DELTA LIGHT® rough-in housing or plasterframe.

Ceiling Thickness

For 5/8" ceiling standard up to 7/8"

Light source

1x powered white 10,4W at 500mA, MAX 15W at 700mA
See rough-in section for available combinations.

Power Supply

Included in rough-in or remodel option.

Connector

Housing and trim connection through pre-installed snap-in connector

Specification features

Housing fabricated of powder coated steel, powder coated steel trim
Pre-installed springs for easy installation
Suitable for dry and damp locations

Dimensions

Height: **110mm = 2'' - 13/16**
Width: **81mm x 81mm = 3'' - 3/16 x 3'' - 3/16**
Ceiling Cut out: **75mm x 75mm = 2''-15/16 x 2''-15/16**

Required options

New construction
Housing for IC and/or airtight applications

Range	Installation type	Power/Dimming	Voltage 1 - 120V 2 - 277V 3 - 120-277V	Mounting Option 0 - No bar hangers 1 - Bar hangers standard
6 202	7 - IC AT Housing S	42 - 7,1W 1-10V dimmable	05 3 - 120-277V	1 - Bar hangers standard
6 202	7 - IC AT Housing S	43 - 10,4W mains dimmable	05 3 - 120-277V	1 - Bar hangers standard
6 202	7 - IC AT Housing S	46 - 7,1W mains dimmable	05 1 - 120V	1 - Bar hangers standard
6 202	7 - IC AT Housing S	62 - 10,4W mains dimmable	05 1 - 120V	1 - Bar hangers standard

New construction
Plasterframe for NON-IC applications

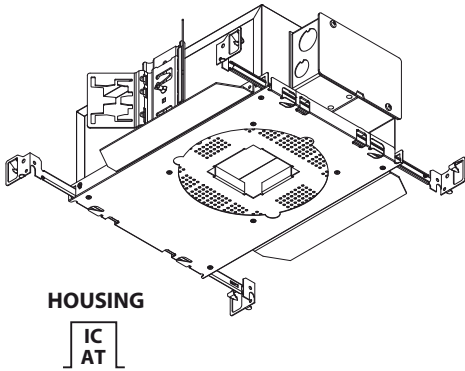
Range	Installation type	Power/Dimming	Voltage 1 - 120V 2 - 277V 3 - 120-277V	Mounting Option 0 - No bar hangers 1 - Bar hangers standard
6 202	01 - NIC Plasterframe S	42 - 7,1W 1-10V dimmable	05 3 - 120-277V	1 - Bar hangers standard
6 202	01 - NIC Plasterframe S	43 - 10,4W 1-10V dimmable	05 1 - 120V	1 - Bar hangers standard
6 202	01 - NIC Plasterframe S	43 - 10,4W 1-10V dimmable	05 2 - 277V	1 - Bar hangers standard
6 202	01 - NIC Plasterframe S	46 - 7,1W mains dimmable	05 1 - 120V	1 - Bar hangers standard
6 202	01 - NIC Plasterframe S	62 - 10,4W mains dimmable	05 1 - 120V	1 - Bar hangers standard

Remodel

Range	Installation type	Power/Dimming	Voltage 1 - 120V 2 - 277V 3 - 120-277V	Spacings 1 - Standard spacings 1 - Marked spacings
6 202	9 - NIC-IC IJB	19 - 10,4W mains dimmable (ELV)	1 - 120V	1 - Standard spacings
6 202	9 - NIC-IC IJB	20 - 10,4W 0-10V dimmable	1 - 120V	1 - Standard spacings
6 202	9 - NIC-IC IJB	20 - 10,4W 0-10V dimmable	2 - 277V	1 - Standard spacings
6 202	9 - NIC-IC IJB	21 - 15W mains dimmable (ELV)	1 - 120V	1 - Marked spacings
6 202	9 - NIC-IC IJB	69 - 15W 0-10V dimmable	1 - 120V	1 - Marked spacings
6 202	9 - NIC-IC IJB	69 - 15W 0-10V dimmable	2 - 277V	1 - Marked spacings

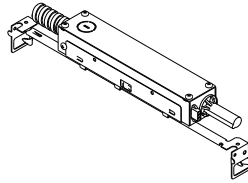
INSTALLATION LUMINAIRE

Not Supplied

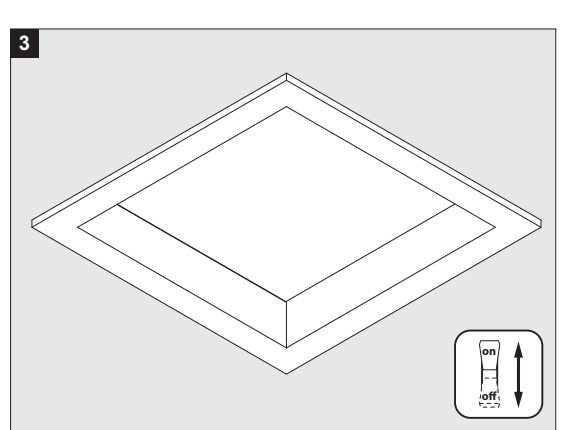
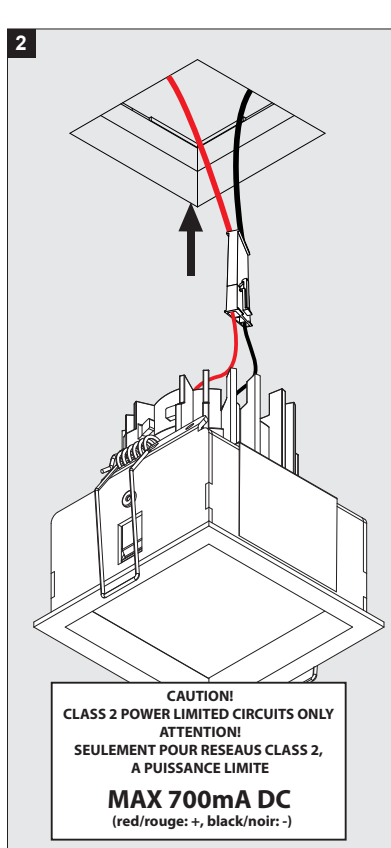
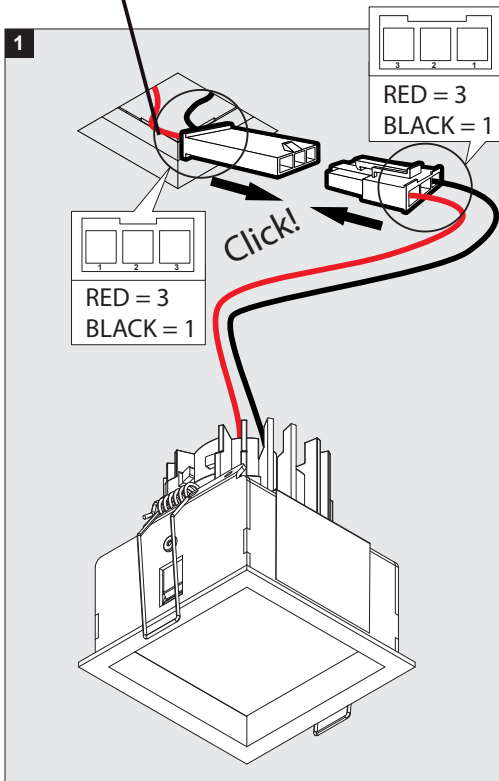
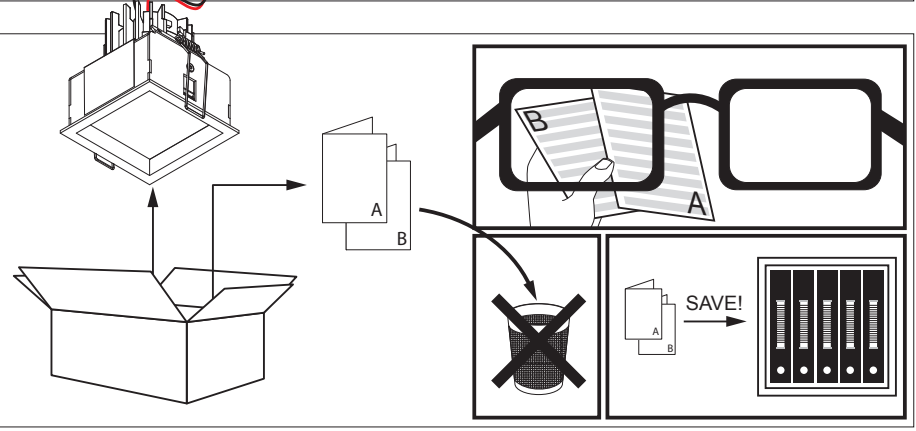
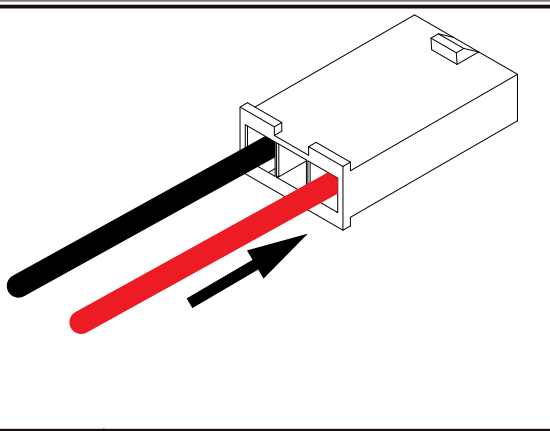
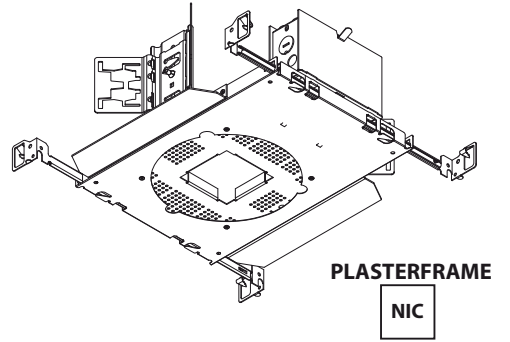


Rough-in Requirements

OR



OR



 INSTALLATION IJB

