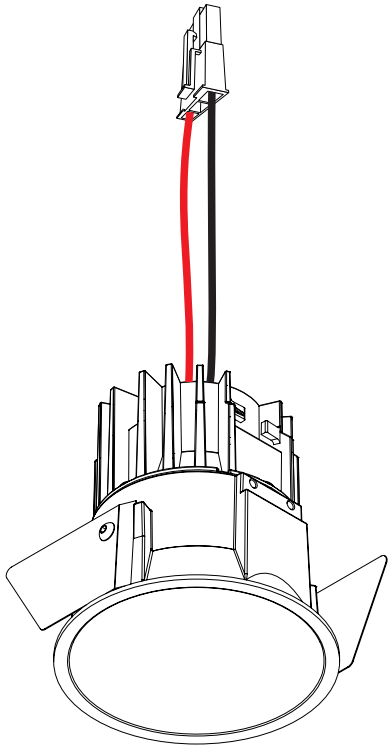


DEEP RINGO LED 92733◇
 6 202 272 811 922◇
 ◇ = B / MMAT / W
DEEP RINGO LED 93033◇
 6 202 272 811 932◇
 ◇ = B / MMAT / W
DEEP RINGO LED 93533◇
 6 202 272 811 952◇
 ◇ = B / MMAT / W



86mm
3"3/8

Ø81mm
Ø3"3/16

Application

Finishing section to be used with DELTA LIGHT® rough-in housing or plasterframe

Ceiling Thickness

For 5/8" ceiling standard up to 7/8"

Light source

One 15W POWERLED WHITE

Power Supply

Current controlled class 2 power supply required. (supplied with housing or plasterframe)
 Max 700mA, typical forward voltage 21,4V. Do not interconnect in parallel!

Connector

Housing and trim connection through pre-installed snap-in connector

Specification features

Construction powder coated aluminum
 Pre-installed springs for easy installation
 Suitable for dry and damp locations
 (UP)Protected against solid objects greater than 12mm ➡ IP20
 (DOWN)Protected against solid objects greater than 1,0mm and spraying water ➡ IP43

Dimensions

Height: 86mm = 2" - 3/16
 Diameter: Ø 81mm = Ø 3" - 3/16
 Ceiling Cut out: Ø 76mm = Ø 3"

Required options for non-class 2 power limited circuits

Housing for IC and/or airtight applications

Range	Installation type	Power/Dimming	Voltage	Mounting Option
			1 - 120V 2 - 277V 3 - 120-277V	0 - No bar hangers 1 - Bar hangers standard
6	202	7 - IC AT Housing S	43 - 10,4W 1-10V DIM	77
6	202	7 - IC AT Housing S	62 - 10,4W mains dimmable (FE)	77
			3 - 120-277V 1 - 120V	1 - Bar hangers standard 1 - Bar hangers standard

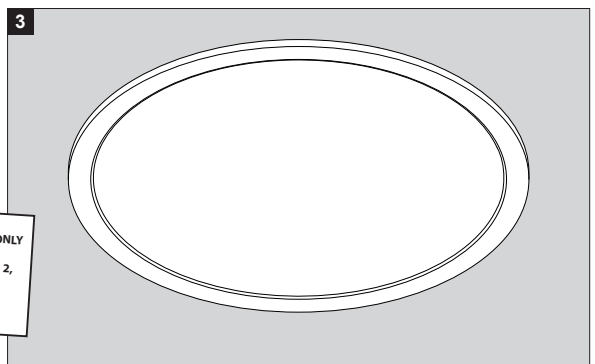
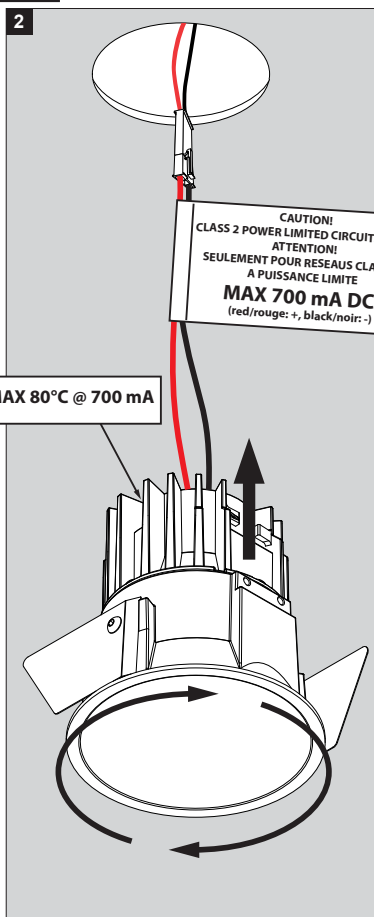
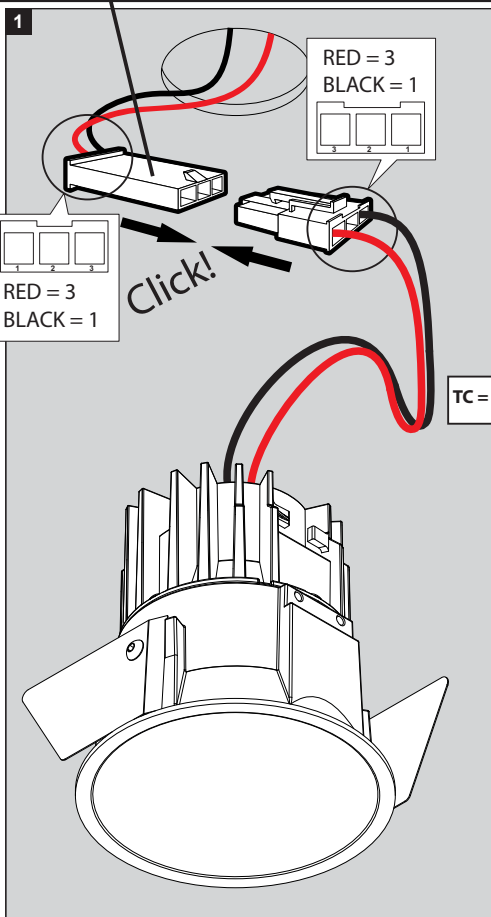
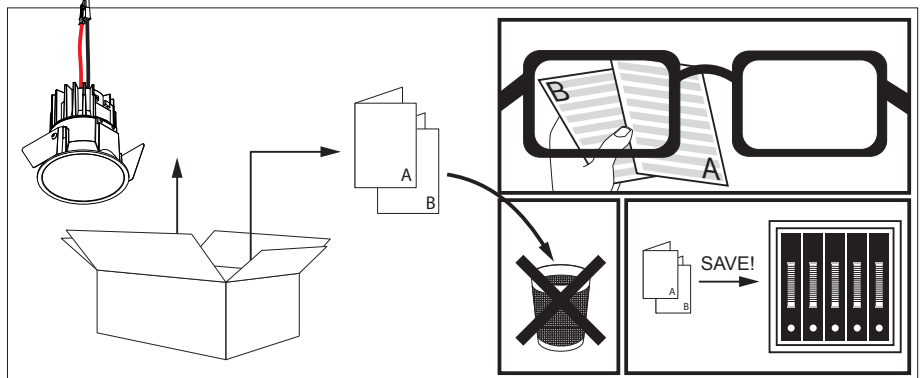
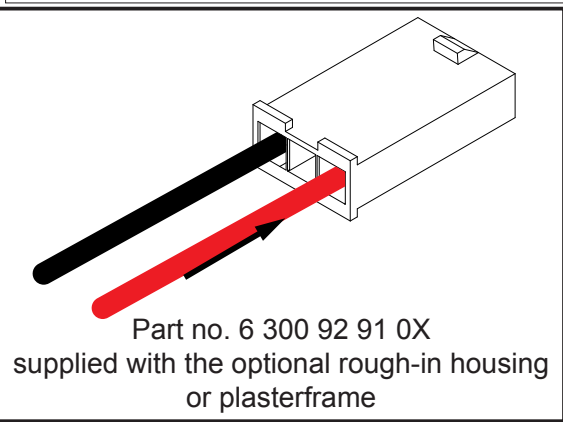
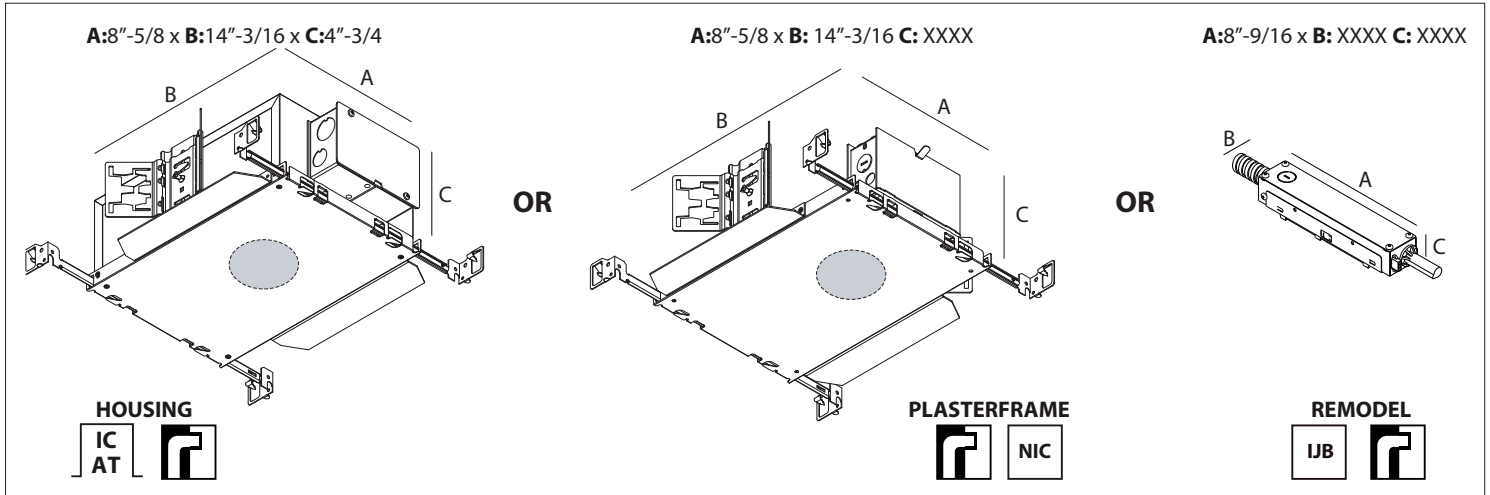
Plasterframe for NON-IC applications

Range	Installation type	Power/Dimming	Voltage	Mounting Option
			1 - 120V 2 - 277V 3 - 120-277V	0 - No bar hangers 1 - Bar hangers standard
6	202	01 - NIC Plasterframe S	43 - 10,4W 1-10V DIM	77
6	202	01 - NIC Plasterframe S	43 - 10,4W 1-10V DIM	77
6	202	01 - NIC Plasterframe S	62 - 10,4W mains dimmable (FE)	77
			1 - 120V 2 - 277V 1 - 120V	1 - Bar hangers standard 1 - Bar hangers standard 1 - Bar hangers standard

Remodel IJB

Range	Installation type	Power/Dimming	Voltage	Spacings
			1 - 120V 2 - 277V 3 - 120-277V	1 - Standard spacings 1 - Marked spacings
6	202	9 - NIC-IC IJB	19 - 15W mains dimmable (FE)	1 - 120V
6	202	9 - NIC-IC IJB	20 - 15W 0-10V DIM	1 - 120V
6	202	9 - NIC-IC IJB	20 - 15W 0-10V DIM	2 - 277V
6	202	9 - NIC-IC IJB	20 - 15W 0-10V DIM	1 - Standard spacings
6	202	9 - NIC-IC IJB	21 - 15W mains dimmable (FE)	1 - Standard spacings
6	202	9 - NIC-IC IJB	21 - 15W mains dimmable (FE)	1 - Marked spacings
6	202	9 - NIC-IC IJB	69 - 15W 0-10V DIM	1 - 120V
6	202	9 - NIC-IC IJB	69 - 15W 0-10V DIM	2 - 277V
			1 - 120V	1 - Marked spacings

INSTALLATION LUMINAIRE





INSTALLATION IJB

