

**CARREE X LED 92733 S1** ◇

6 202 20 811 922 ◇

◇ = A / N / W

**CARREE X LED 93033 S1** ◇

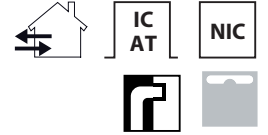
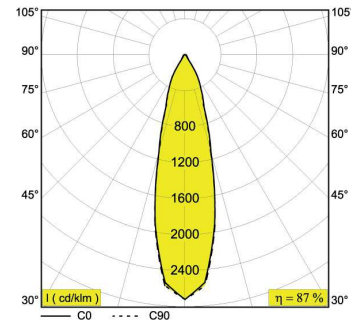
6 202 20 811 932 ◇

◇ = A / N / W

**CARREE X LED 93533 S1** ◇

6 202 20 811 952 ◇

◇ = A / N / W



<sup>(1)</sup>Values based on 3000K 33° White finish

**Application**

Finishing section to be used with DELTA LIGHT® rough-in requirements

**Ceiling Thickness**

For 5/8" ceiling standard up to 7/8"

**Color Finish**

- W - White
- A - Alu Grey
- N - Dark Grey

**Light Source**

One 15W LED module included

**Delivered Lumens**

- 1109lm at 3500K<sup>(1)</sup>
- 1075lm at 3000K<sup>(1)</sup>
- 1032lm at 2700K<sup>(1)</sup>

**Power Supply**

Included in rough-in requirements.

**Connector**

Rough-in and trim connection through pre-installed snap-in connector

**Specification features**

- Body fabricated of Powder coated steel
- Pre-installed springs for easy installation
- Suitable for dry, damp and wet locations

**Dimensions**

- Height: 73 mm = 2"-7/8
- Width: 90 mm x 90 mm = 3"-9/16 x 3"-9/16
- Ceiling Cut out: 76 mm x 76 mm = 3" x 3"

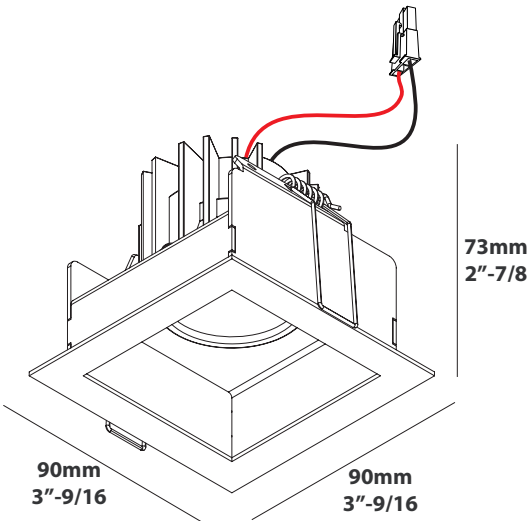
**PROJECT INFO**

Date \_\_\_\_\_

Client \_\_\_\_\_

Project Name \_\_\_\_\_

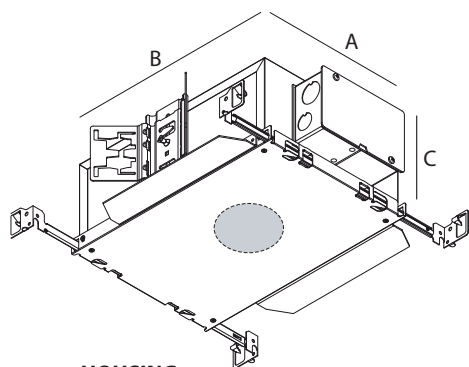
Type/Quantity \_\_\_\_\_



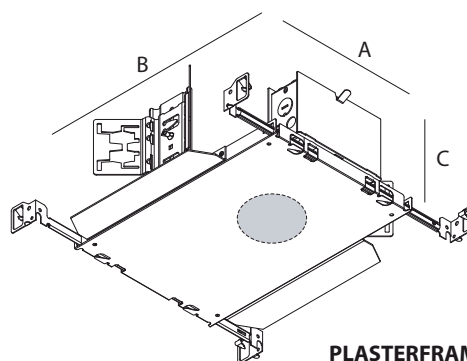
**ROUGH-IN REQUIREMENTS**

A:8"-5/8 x B:14"-3/16 x C:4"-3/4

A:8"-5/8 x B: 14"-3/16 C: XXXX



OR



**HOUSING**



**PLASTERFRAME**



**Required options ( Values per LED )**

New construction

Housing for IC and/or airtight applications

● Indicative opening

| Range | Installation type | Power/Dimming       |                                  | Voltage<br>1 - 120V<br>2 - 277V<br>3 - 120-277V | Mounting Option<br>0 - No bar hangers<br>1 - Bar hangers standard |                          |
|-------|-------------------|---------------------|----------------------------------|---|---|--------------------------|
| 6     | 202               | 7 - IC AT Housing S | 102 - 10,4W mains dimmable (ELV) | 05  | 1 - 120V  | 1 - Bar hangers standard |
| 6     | 202               | 7 - IC AT Housing S | 108 - 10,4W 0-10V dimming        | 05  | 3 - 120-277V  | 1 - Bar hangers standard |
| 6     | 202               | 7 - IC AT Housing S | 122 - 10,4W Lutron dimming       | 05  | 3 - 120-277V  | 1 - Bar hangers standard |

New construction

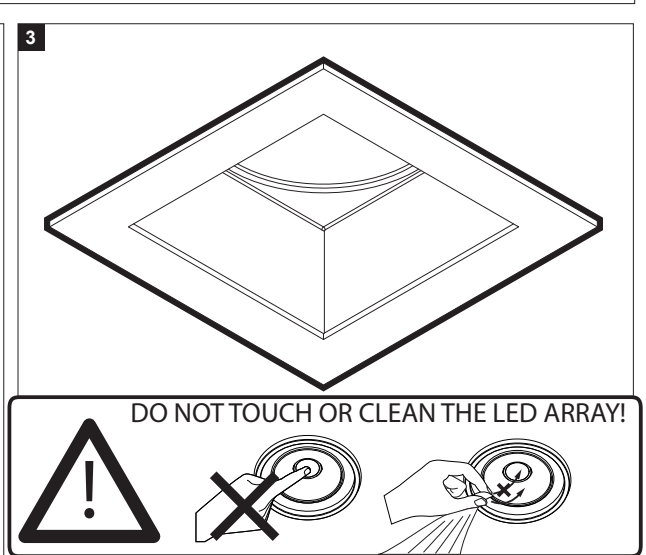
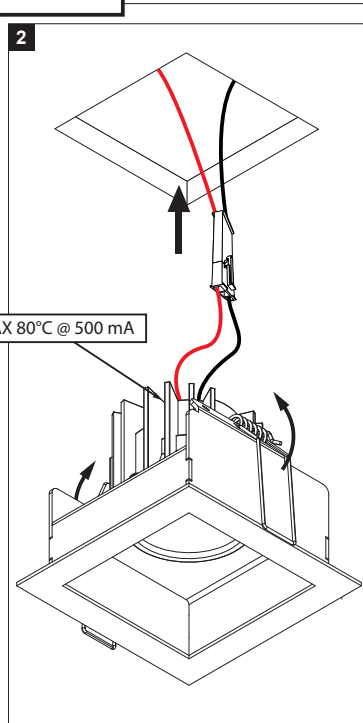
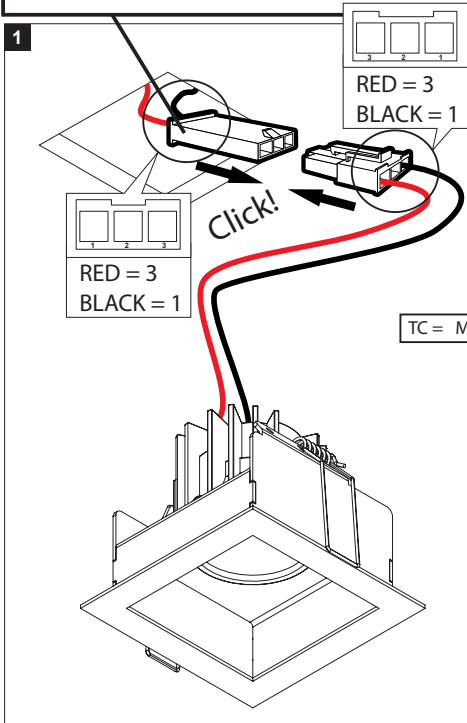
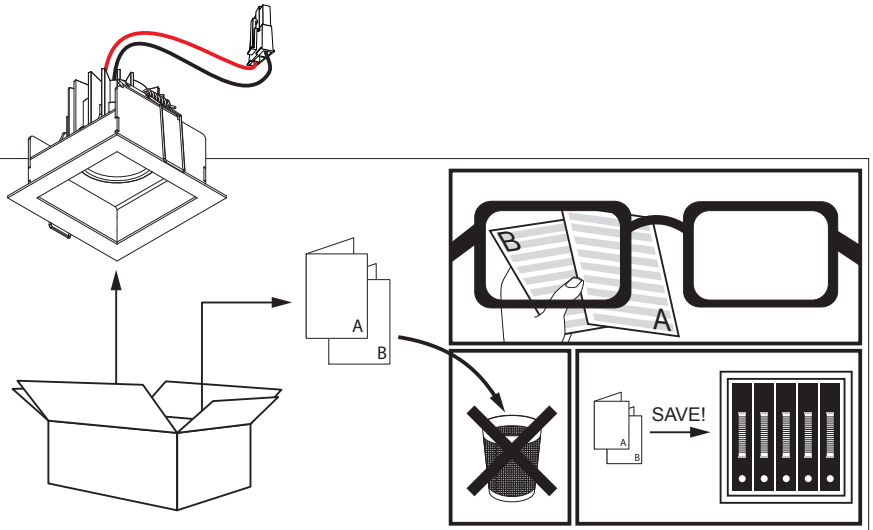
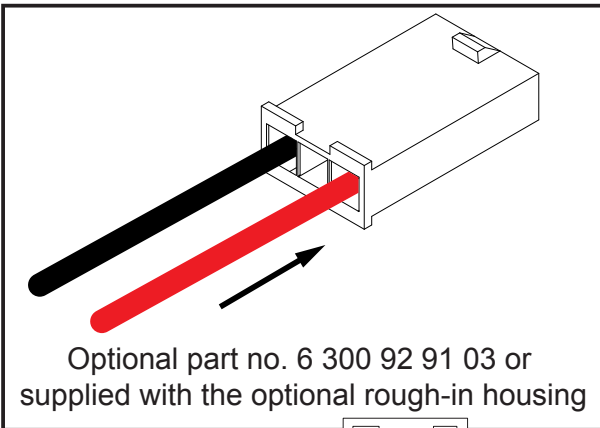
Plasterframe for NON-IC applications

| Range | Installation type | Power/Dimming           |                                  | Voltage<br>1 - 120V<br>2 - 277V<br>3 - 120-277V | Mounting Option<br>0 - No bar hangers<br>1 - Bar hangers standard |                          |
|-------|-------------------|-------------------------|----------------------------------|---|---|--------------------------|
| 6     | 202               | 01 - NIC Plasterframe S | 102 - 10,4W mains dimmable (ELV) | 05  | 1 - 120V  | 1 - Bar hangers standard |
| 6     | 202               | 01 - NIC Plasterframe S | 103 - 15W mains dimmable (ELV)   | 05  | 1 - 120V  | 1 - Bar hangers standard |
| 6     | 202               | 01 - NIC Plasterframe S | 108 - 10,4W 0-10V dimming        | 05  | 1 - 120V  | 1 - Bar hangers standard |
| 6     | 202               | 01 - NIC Plasterframe S | 108 - 10,4W 0-10V dimming        | 05  | 2 - 277V  | 1 - Bar hangers standard |
| 6     | 202               | 01 - NIC Plasterframe S | 109 - 15W 0-10V dimming          | 05  | 1 - 120V  | 1 - Bar hangers standard |
| 6     | 202               | 01 - NIC Plasterframe S | 109 - 15W 0-10V dimming          | 05  | 2 - 277V  | 1 - Bar hangers standard |
| 6     | 202               | 01 - NIC Plasterframe S | 122 - 10,4W Lutron dimming       | 05  | 1 - 120V  | 1 - Bar hangers standard |
| 6     | 202               | 01 - NIC Plasterframe S | 122 - 10,4W Lutron dimming       | 05  | 2 - 277V  | 1 - Bar hangers standard |
| 6     | 202               | 01 - NIC Plasterframe S | 123 - 15W Lutron dimming         | 05  | 1 - 120V  | 1 - Bar hangers standard |
| 6     | 202               | 01 - NIC Plasterframe S | 123 - 15W Lutron dimming         | 05  | 2 - 277V  | 1 - Bar hangers standard |

Remodel

| Range | Installation type | Power/Dimming |                                 | Voltage<br>1 - 120V<br>2 - 277V<br>3 - 120-277V | Mounting Option<br>0 - No bar hangers<br>1 - Bar hangers standard |                          |
|-------|-------------------|---------------|---------------------------------|---|---|--------------------------|
| 6     | 202               | 9 - Remodel   | 122 - 10,4W Lutron dimming      | 99  | 1 - 120V  | 1 - Bar hangers standard |
| 6     | 202               | 9 - Remodel   | 122 - 10,4W Lutron dimming      | 99  | 2 - 277V  | 1 - Bar hangers standard |
| 6     | 202               | 9 - Remodel   | 123 - 15W Lutron dimming        | 99  | 1 - 120V  | 1 - Bar hangers standard |
| 6     | 202               | 9 - Remodel   | 123 - 15W Lutron dimming        | 99  | 2 - 277V  | 1 - Bar hangers standard |
| 6     | 202               | 9 - Remodel   | 19 - 10,4W mains dimmable (ELV) | 99  | 1 - 120V  | 1 - Bar hangers standard |
| 6     | 202               | 9 - Remodel   | 20 - 10,4W 0-10V dimming        | 99  | 1 - 120V  | 1 - Bar hangers standard |
| 6     | 202               | 9 - Remodel   | 20 - 10,4W 0-10V dimming        | 99  | 2 - 277V  | 1 - Bar hangers standard |
| 6     | 202               | 9 - Remodel   | 21 - 15W 0-10V dimming          | 99  | 1 - 120V  | 1 - Bar hangers standard |
| 6     | 202               | 9 - Remodel   | 69 - 15W 0-10V dimming          | 99  | 1 - 120V  | 1 - Bar hangers standard |
| 6     | 202               | 9 - Remodel   | 69 - 15W 0-10V dimming          | 99  | 2 - 277V  | 1 - Bar hangers standard |

 **INSTALLATION LUMINAIRE**



- Use only power supplies that are certified according to the applicable IEC or UL safety standards.
- Use only SELV power supplies.
- Check the ratings of the power supply with those of the luminaire.
- The maximum current rating must be taken into account.
- The indicated typical voltage must not be used to select a constant voltage power supply but is intended to be used to select a constant current power supply that is able to cover that typical voltage.
- Take appropriate ESD measures. Avoid touching bare conductors.
- Leds or led luminaires that require a current controlled power supply must never be connected in parallel.
- Leds can be damaged by the contact with certain chemicals or chemical gasses.
- Therefore led domes or led engines should never be cleaned with chemical substances.
- The following substances have proven to have a negative influence on the performance and must not be used in the direct environment of a led luminaire.
  - Methyl acetate or ethyl acetate (i.e. nail polish remover)
  - Cyanoacrylates (i.e. "Superglue")
  - Glycol ethers (including Radio Shack® Precision Electronics Cleaner - dipropylene glycol monomethyl ether)
  - Formaldehyde or butadiene (including Ashland PLIOBOND® adhesive)
  - Dymax 984-LVIF conformal coating
  - Loctite Sumo Glue
  - Gorilla Glue
  - Bleach, Bleach-containing cleaners, sprays
  - Loctite 304 adhesive
  - Loctite 7387 activator
  - Loctite 242 threadlocker
- Remove insulation and/or provide sufficient ventilation so that the indicated max Tc is not surpassed.
- Leds are susceptible to switching transients. Therefore switching must be done in the primary circuit of the power supply.
- DELTA LIGHT recommends to use the power supplies that are indicated in the Lighting Bible.
- Respect polarity
- Don't test LED luminaires one by one on a powersupply that is switched on.

 INSTALLATION IJB

