

HELI 1 LED WW

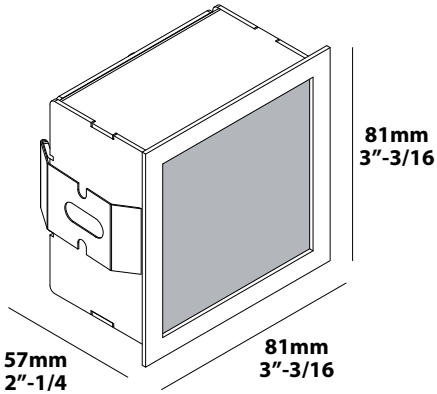
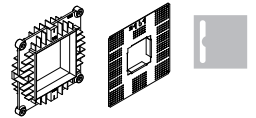
6 202 04 32 ◊

◊ = A / W

HELI 1 LED NW

6 202 04 34 ◊

◊ = A / W



Application

Wall recessed
 Mounting kit or plasterkit installation
 For indoor use only

Color Finish

A - Alu Gray
 W - White

Light source

WW: 1 x POWERLED WHITE 1,1W
 NW: 1 x POWERLED WHITE 1,1W

Product description

Surface treated steel housing
 Current controlled class 2 power supply required
 Remote 350mA max, Typical forward voltage 2,8V.
 Suitable for dry or damp locations
 Protected against solid objects greater than 0,1mm ➡ IP40
 Weight: 0,4lbs 0,2kg

Options (not supplied)

207 01 186 PLASTERKIT 186
 202 00 75 MOUNTING KIT 75

INSTALLATION LUMINAIRE

